

PRINCETON® RECESS BATH

Americast® brand engineered material

- 2390.202** Left Hand Outlet
- 2390.202TC** Same as above w/tub cover
- 2391.202** Right Hand Outlet
- 2391.202TC** Same as above w/tub cover
 - Acid resistant porcelain finish
 - Recess bath with integral apron and tiling flange
 - Integral lumbar support
 - Beveled headrest
 - Full slip-resistant coverage
 - End drain outlet
 - Integral base



**PRINCETON® RECESS BATH
for Above Floor Rough Installation***

- 2392.202** Left Hand Outlet for above floor installation
- 2392.202TC** Same as above w/tub cover
- 2393.202** Right Hand Outlet for above floor installation
- 2393.202TC** Same as above w/tub cover

 **MEETS THE AMERICANS WITH DISABILITIES ACT GUIDELINES AND ANSI A117.1 REQUIREMENTS FOR ACCESSIBLE AND USEABLE BUILDING FACILITIES-CHECK LOCAL CODES. INSTALL WITH SEAT AT HEAD END.**

To Be Specified - Required:

- Color:
- Bath Faucet*:
- Faucet Finish:
- Drain: (included with ICH models)
- Drain Finish:

*See faucet section for additional models available

Nominal Dimensions:

1524 x 762 x 356mm
(445mm for above floor installation)
60" x 30" x 14"
(17-1/2" for above floor installation)

Bathing Well Dimensions:

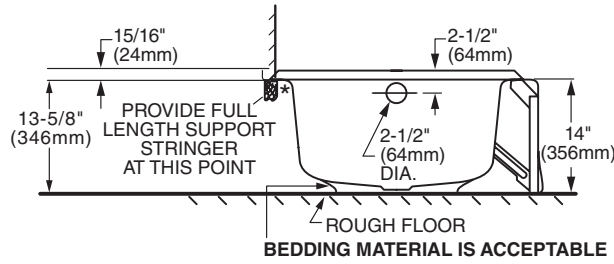
1423 x 635 x 337mm
(56" x 25" x 13-1/4")

**Compliance Certifications -
Meets or Exceeds the Following Specifications:**

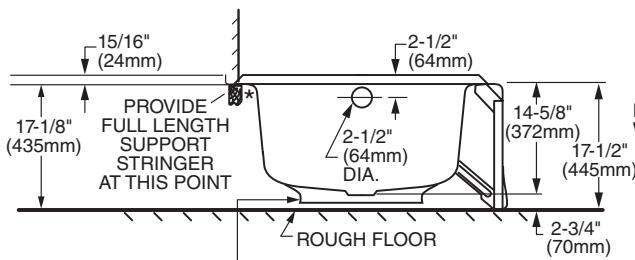
- ASTM F-462 for Slip-resistant Bathing Facilities
- CSA B45.5/IAPMO Z124 Ignition Test, Section 5.13

Americast® brand engineered material is a composition of porcelain bonded to enameling grade metal, bonded to a patented structural composite.

SEE REVERSE FOR PRODUCT DIMENSIONS
AND SPECIFICATIONS

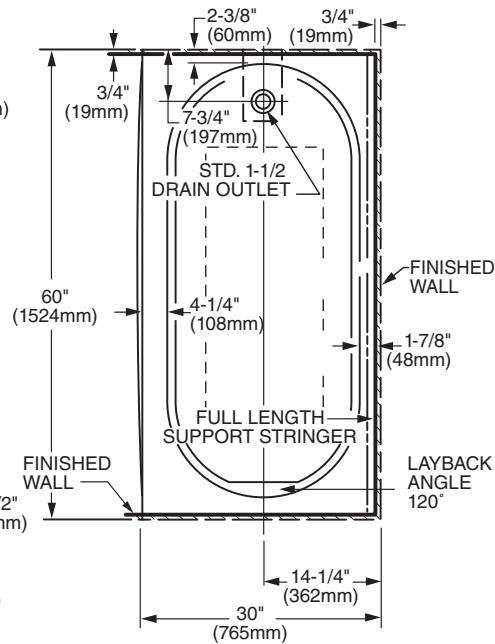


BELOW FLOOR ROUGH
2390.202 2391.202



ABOVE FLOOR ROUGH
2392.202 2393.202

* PLUMBER NOTE: PROVIDE FULL LENGTH SUPPORT STRINGER AT THIS POINT

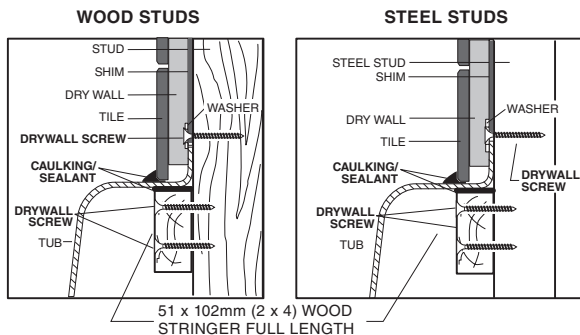


LEFT HAND TUB ILLUSTRATED
RIGHT HAND TUB IS REVERSED

GENERAL SPECIFICATIONS FOR 2390/2391 BATHING POOL	
INSTALLED SIZE	60 x 30 x 14 In. (1524 x 762 x 356mm)
WEIGHT	110 Lbs. (50 Kg.)
WEIGHT w/WATER	460 Lbs. (209 Kg.)
GAL. TO OVERFLOW	42 Gal. (159 L)
BATHING WELL AT SUMP	42 x 19 In. (1067 x 483mm)
BATHING WELL AT RIM	56 x 25 In. (1423 x 635mm)
WATER DEPTH TO OVERFLOW	9-1/2 In. (241mm)
FLOOR LOADING (PROJECTED AREA)	37 Lbs./Sq.Ft. (175 Kgs./Sq.m)
PTS.	6.2
CUBE (FT ³)	18.1

GENERAL SPECIFICATIONS FOR 2392/2393 BATHING POOL*	
INSTALLED SIZE	60 x 30 x 17-1/2 In. (1524 x 762 x 445mm)
WEIGHT	119 Lbs. (54 Kg.)
WEIGHT w/WATER	469 Lbs. (213 Kg.)
GAL. TO OVERFLOW	42 Gal. (159 L)
BATHING WELL AT SUMP	42 x 19 In. (1067 x 483mm)
BATHING WELL AT RIM	56 x 25 In. (1423 x 635mm)
WATER DEPTH TO OVERFLOW	9-1/2 In. (241mm)
FLOOR LOADING (PROJECTED AREA)	38 Lbs./Sq.Ft. (182 Kgs./Sq.m)
PTS.	7.4
CUBE (FT ³)	21.2

Below is shown typical cross sections of the tub rim showing typical wall constructions.



51 x 102mm (2 x 4) WOOD STRINGER FULL LENGTH

NOTES:

LEFT HAND OUTLET SHOWN, RIGHT HAND REVERSE DIMENSIONS. (2391.202).

FITTINGS NOT INCLUDED AND MUST BE ORDERED SEPARATELY. REFER TO INSTALLATION INSTRUCTIONS SUPPLIED WITH FITTING.

CONCEALED PIPING NOT FURNISHED.

PROVIDE SUITABLE REINFORCEMENT FOR ALL WALL SUPPORTS.

■ REFER TO INSTALLATION INSTRUCTIONS SUPPLIED WITH BATH.

IMPORTANT: Dimensions of fixtures are nominal and may vary within the range of tolerances established by ASME A112.19.1/CSA B45.2. These measurements are subject to change or cancellation. No responsibility is assumed for use of superseded or voided leaflet.