



**Huron® with EverClean®**  
3312.001  
1.28 gpf-1.6 gpf

- Semi-concealed trapway for easy cleaning
- Smaller footprint
- Available with bedpan holding



**Priolo® with EverClean®**  
3690.001  
1.1 gpf-1.6 gpf

- Standard and ADA height
- Available in top and back spuds
- Built-in condensation channel



**Right Width® FloWise®**  
3641.001  
1.28 gpf-1.6 gpf

- Rated at minimum of 2,000 lbs static load
- Ideal for bariatric facility



**Madera™ with EverClean®**  
3461.001  
1.1 gpf-1.6 gpf

- Standard and ADA height
- Available with and without EverClean®
- Built-in condensation channel



**Madera Youth™**  
2599.001  
1.28 gpf-1.6 gpf

- 14" Floor to rim height
- ADA and Texas Accessibility Standards (TAS) compliant



**Baby Devoro™ Two-Piece**  
2315.228  
1.28 gpf

- Available in Two-Piece or Flushometer model



**Afwall® with EverClean®**  
2257.001, 3351.001  
1.1 gpf-1.6 gpf

- Available with and without EverClean®
- Available in ADA Retrofit
- Built-in condensation channel



**Murro™ with EverClean®**  
0954.004EC

- Available in CHO, 4" and 8" hole configurations
- ADA and TAS compliant
- Optional shroud



**Lucia®**  
0145 Series

- High aesthetic design
- Integrated side shelf
- Available in CHO, 4", and 8" hole configurations
- Optional shroud



**Lucerne™**  
0365.041

- Integral back splash and side splash shield
- Self-draining deck area



**FloWise® Flush-Free Urinal—Large**  
6150.100

- Lowest operations and maintenance cost
- No cartridges to change
- Improved design that reduces splashing
- Available in medium and small sizes



**Washbrook® FloWise® Urinal**  
6590.001  
0.125 gpf-1.0 gpf

- Powerful washout flush action
- Available in top and back spuds



**Allbrook®**  
6550.001  
0.5 gpf-1.0 gpf

- Siphon jet flush action
- Small and compact design
- Top spud outlet only



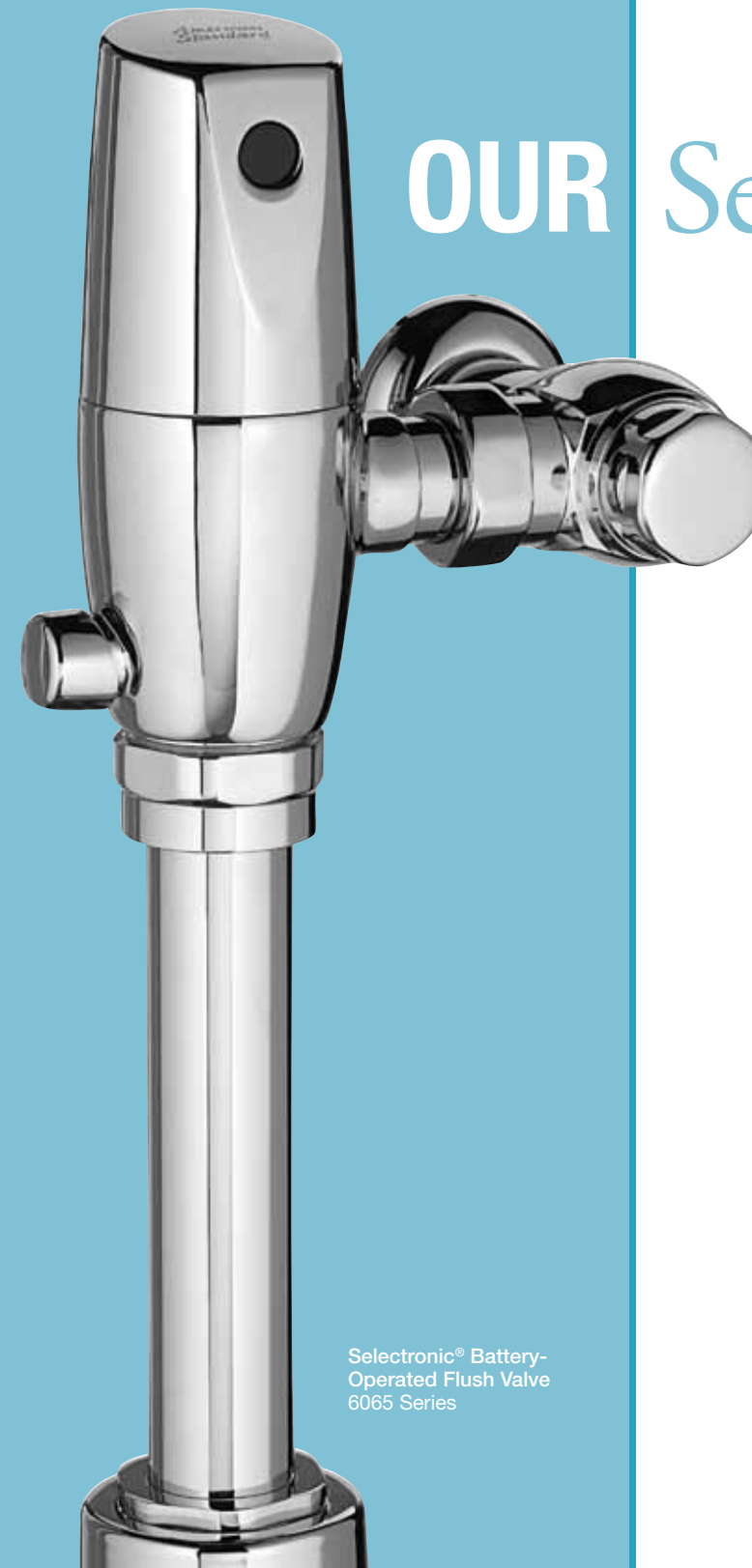
As Awarded by The Chicago Athenaeum: Museum of Architecture and Design and The European Centre for Architecture Art Design and Urban Studies

**GREEN GOOD DESIGN™ 2012 AWARD WINNER**

**Decorum® FloWise® Urinal with EverClean®**  
6042.005  
0.5 gpf

- Sleek, modern, compact design
- Deep bowl design to reduce splashing
- Available in top and back spuds

GOOD DESIGN™ is a Federally Registered and Protected Trademark of The Chicago Athenaeum. Copyright 1992 and 2009.



Selectronic® Battery-Operated Flush Valve  
6065 Series

**OUR** Selectronics  
**YOUR** Convenience