



**CROWNSOUND®**



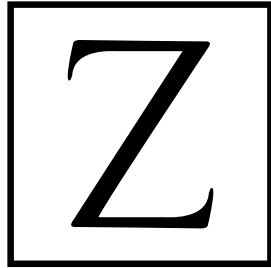
Installation Guide and User Manual

ATTAINABLE **LUXURY®**

---

Luxury should never be left desired - it's meant to be attainable."  
- Andrew Zuro, Founder

 **WARNING:** This product can expose you to chemicals including nickel, which is known to the State of California to cause cancer. For more information, go to [www.P65Warnings.ca.gov](http://www.P65Warnings.ca.gov).



ZLINE

Integrated with industry-defining technology, the ZLINE Bluetooth Crown Moldings transform the seamless, elegant ceiling transition into a Bluetooth sound system, creating the perfect entertainment area for you and your guests.

ZLINE is fueled by a passion for innovation; A relentless pursuit of bringing the highest end luxury designs and professional features into everyone's homes. Because we continually strive to improve our products, we may change specifications and designs without prior notice.

# TABLE OF CONTENTS

IMPORTANT SAFETY INSTRUCTIONS	1
WARRANTY	1
WALL CROWNSOUND® INSTALLATION	2
ISLAND CROWNSOUND® INSTALLATION	8
TROUBLESHOOTING & FAQ	10

# SAFETY INSTRUCTIONS & WARRANTY

## IMPORTANT SAFETY INSTRUCTIONS

- All electrical wiring must be properly installed, insulated, and grounded.
- Use this unit only in the manner intended by the manufacturer. If you have any questions, contact the vendor.

## WARRANTY

- Bluetooth crown moldings carry a one year parts warranty.
- Replacement speakers are available from ZLINE. Call 1-614-777-5004.

# WALL CROWNSOUND® INSTALLATION

## ELECTRIC POWER RATING

Frequency: 110V/50 Hz

Power: 10W



## Installation Tutorial Video

1. Attach crown molding bracket to ceiling using hardware provided. *Figure 1*

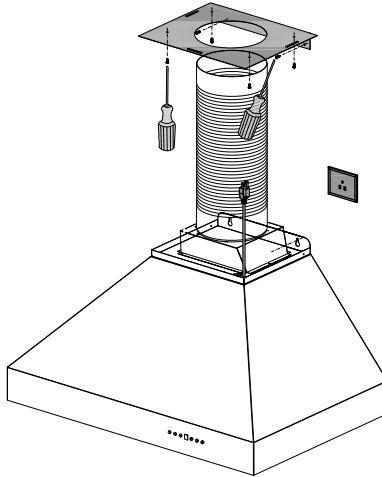


Figure 1

2. Attach ducting and electrical connections. Plug the speakers into an outlet behind the chimney. When the connection is successful, a chime will sound. *Figure 2*

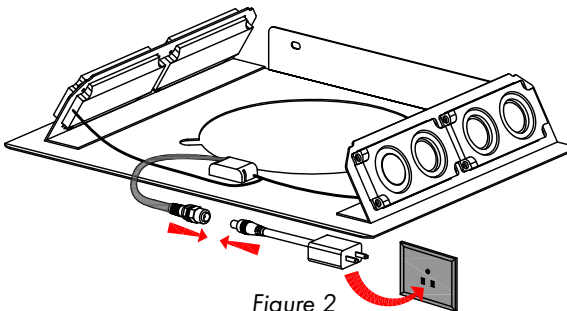


Figure 2

# WALL CROWNSOUND® INSTALLATION

3. Extend the chimney up to the transformer. Slide the crown molding onto the crown bracket and secure into place. The crown should cover the gap. Ensure that it installs properly and is level. *Figure 3*

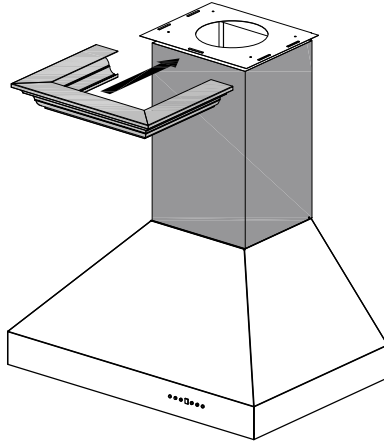


Figure 3

4. Open the phone's Bluetooth settings and find "ZLINE Audio." When the connection is successful, a chime will sound. *Figure 4*

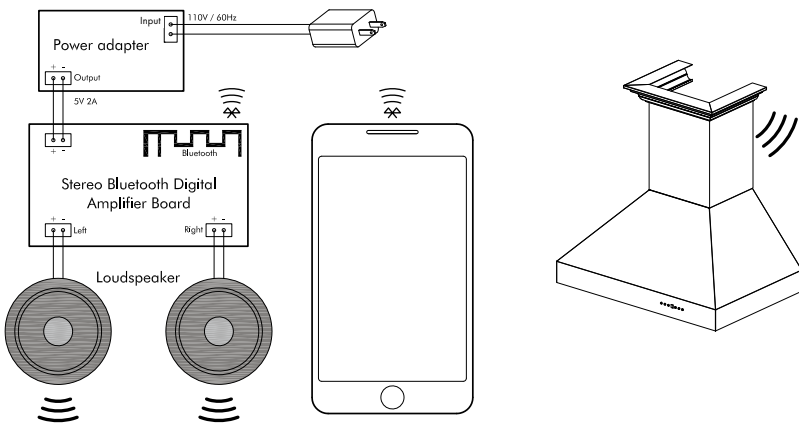


Figure 4

Bluetooth crown moldings carry a one year parts warranty. Replacement speakers are available from ZLINE. Call 1-614-777-5004.

# ISLAND CROWNSOUND® INSTALLATION

## ELECTRIC POWER RATING

Frequency: 110V/50 Hz

Power: 10W



## Installation Tutorial Video

1. Attach crown molding bracket to ceiling using hardware provided. *Figure 1*

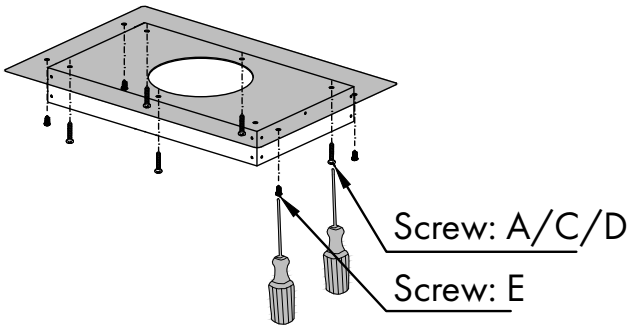


Figure 1

2. Attach ducting and electrical connections. Plug the speakers into an outlet behind the chimney. When the connection is successful, a chime will sound. *Figure 2*

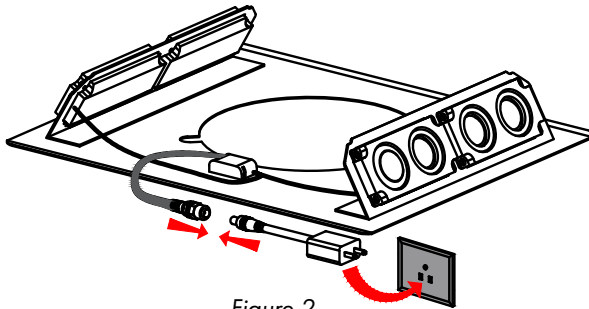
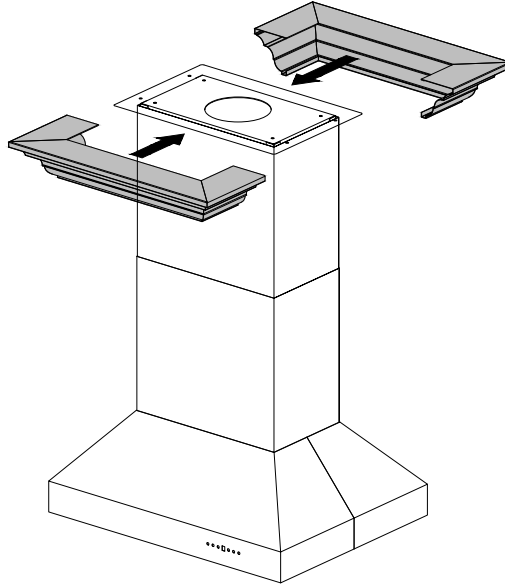


Figure 2



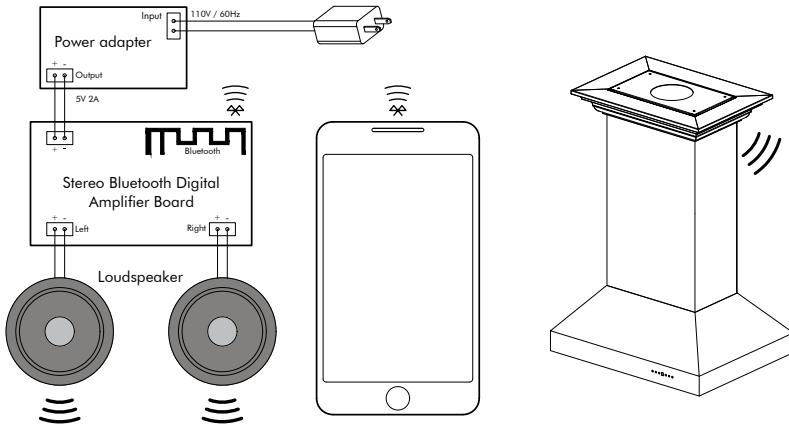
# ISLAND CROWNSOUND® INSTALLATION

3. Extend the chimney up to the transformer. Slide the crown molding onto the crown bracket and secure into place. The crown should cover the gap. Ensure that it installs properly and is level. *Figure 3*



*Figure 3*

4. Open the phone's Bluetooth settings and find "ZLINE Audio." When the connection is successful, a chime will sound. *Figure 4*



*Figure 4*

Bluetooth crown moldings carry a one year parts warranty. Replacement speakers are available from ZLINE. Call 1-614-777-5004.

# TROUBLESHOOTING & FAQ

**How many devices can the Bluetooth speakers sync to at a time?**

Only 1 device can sync at a time.

**What is the decibel rating of the Bluetooth speakers?**

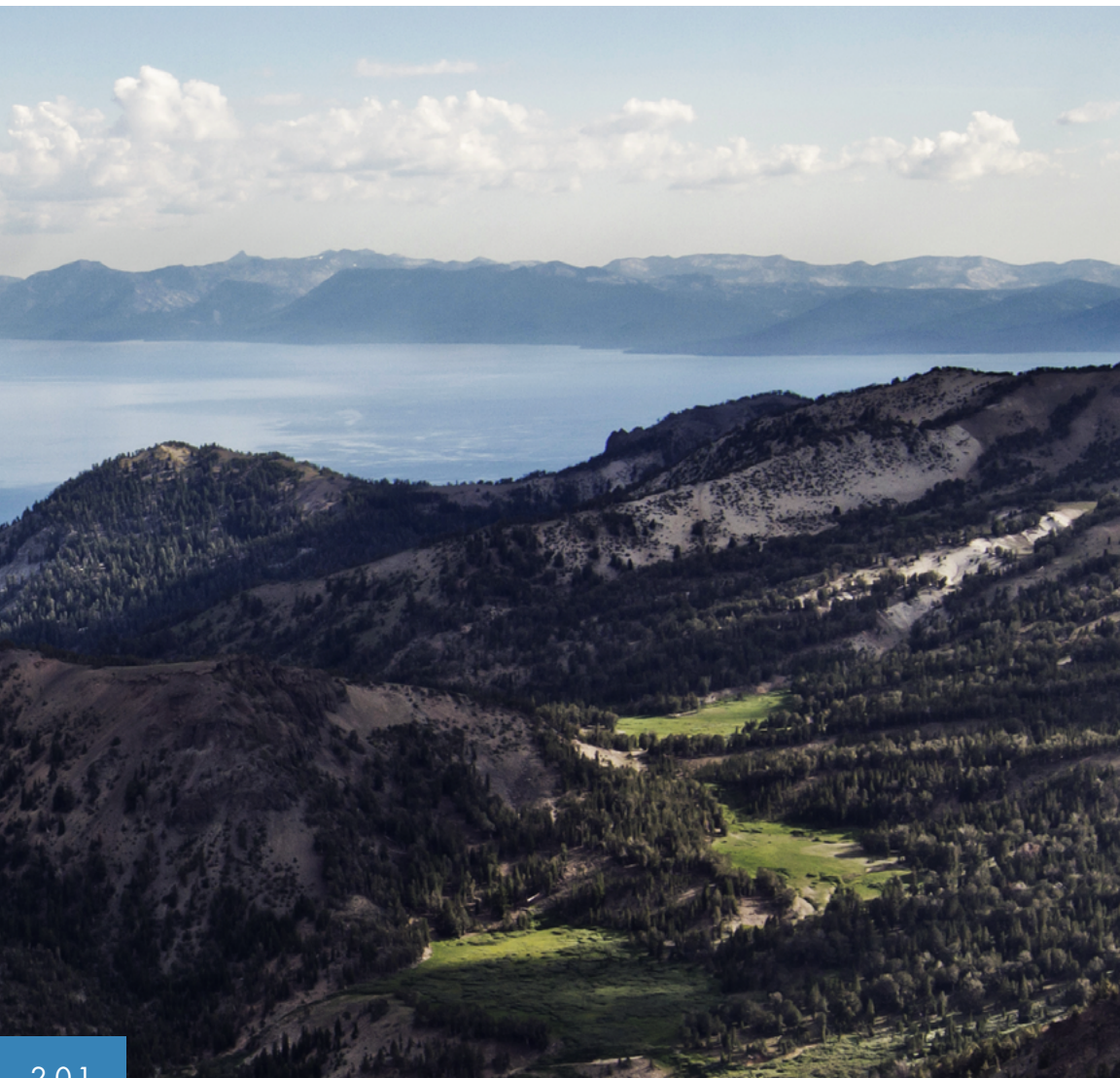
Up to 100 decibels.

**What is the range of the speakers? What's the maximum distance for the connection to work?**

Up to 50 feet. If the connection is weak, move closer to the speakers or remove obstacles that are between the device and the speakers.

**"ZLINE Audio" won't appear in the Bluetooth settings.**

Check if the electrical connections are secure. A chime will sound if the connection is successful. If "ZLINE Audio" still will not appear, call ZLINE at 1-614-5004 for a replacement.



2.0.1



ATTAINABLE **LUXURY**<sup>®</sup>

---

[www.zlinekitchen.com](http://www.zlinekitchen.com)  
1-614-777-5004