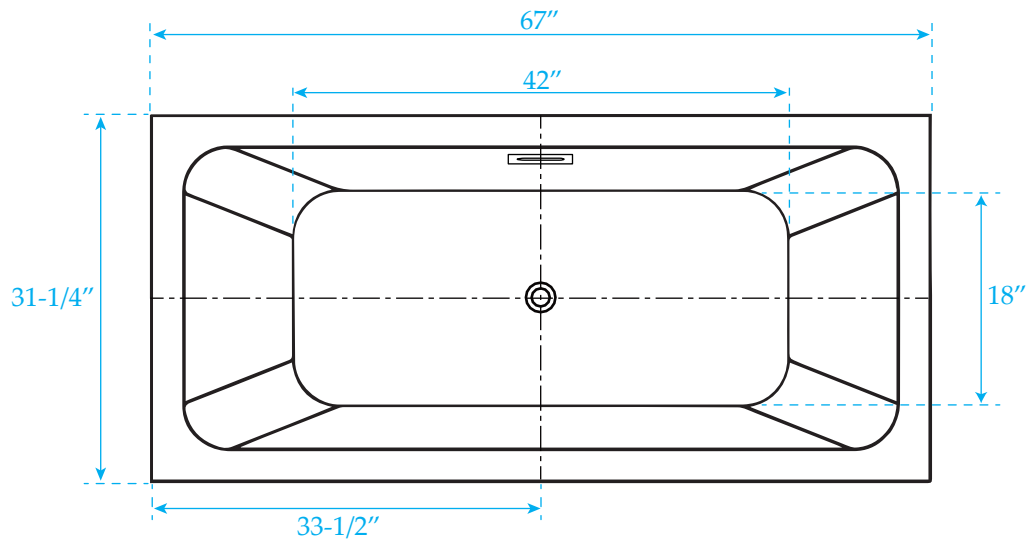
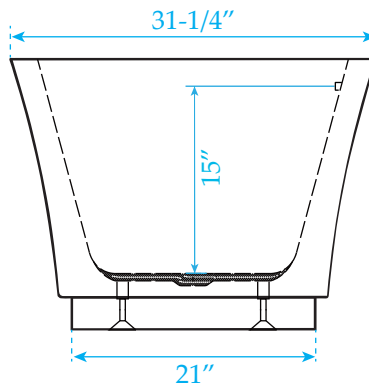
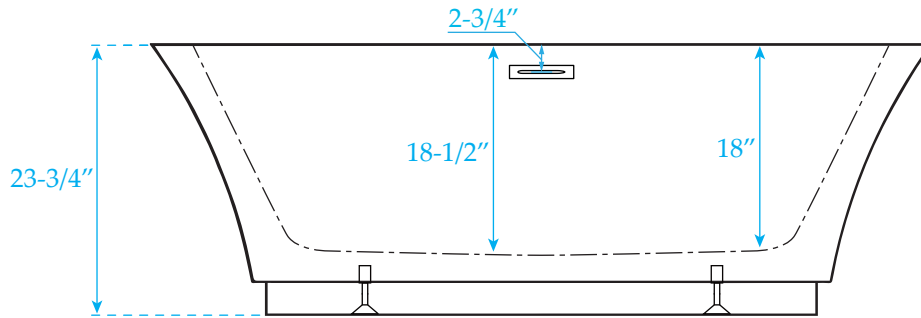


WYNDHAM COLLECTION

Exterior Size - 67"L x 31-1/4"W x 23-3/4"H
Depth at Drain - 18-1/2"
Drain to Overflow - 15"
Maximum Fill - 73 Gallons
Note - All Measurements are $\pm 1/2$ "



WC-BTE1519-67