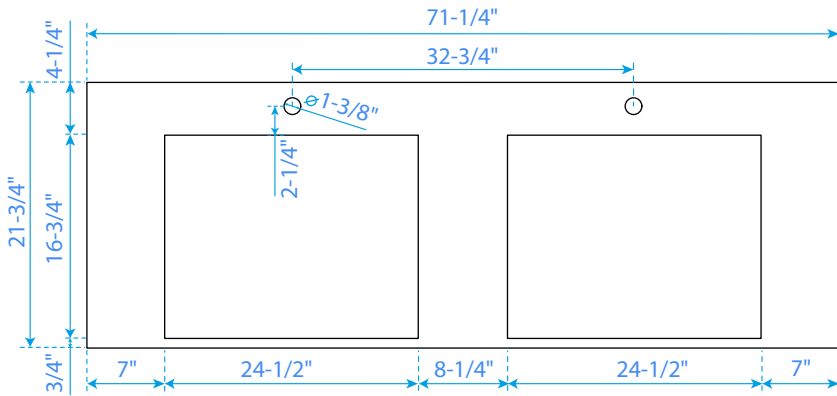
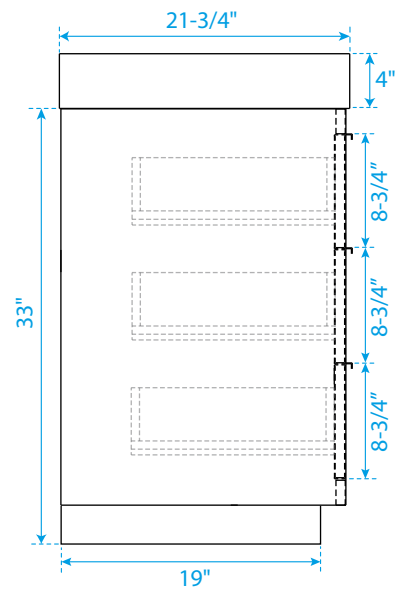
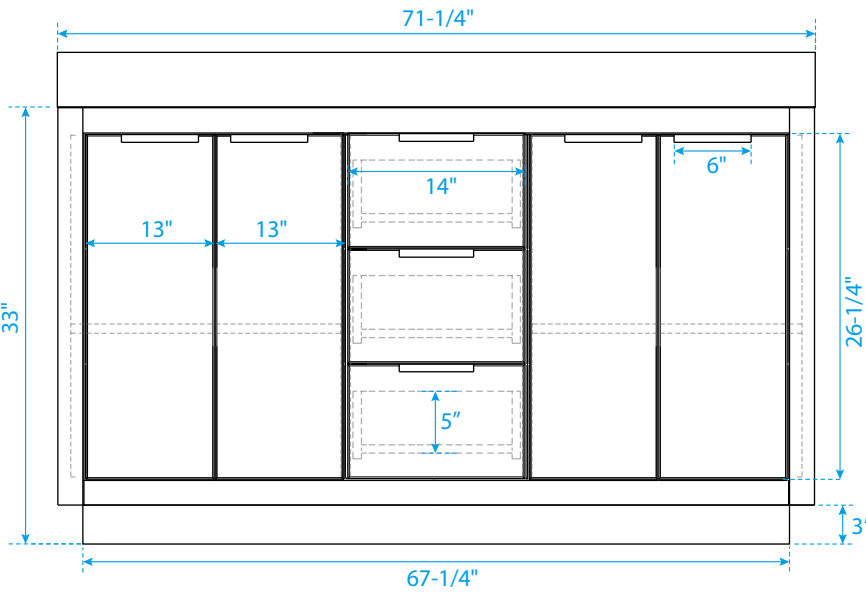
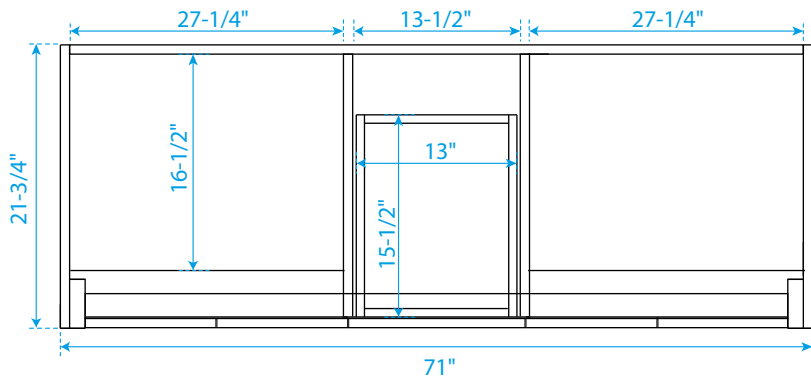
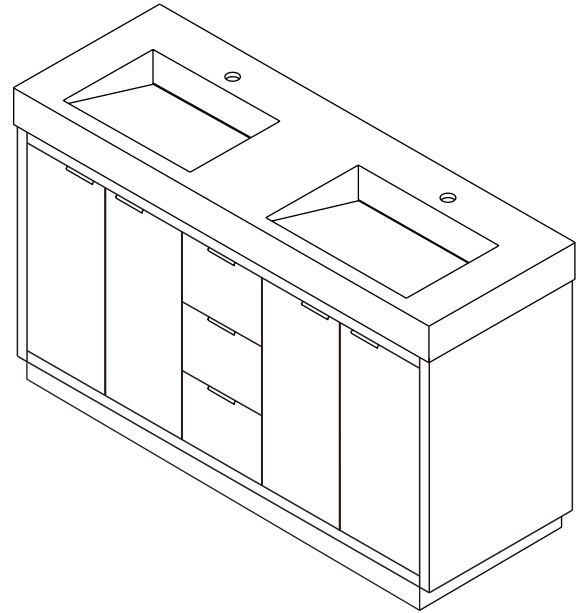


WYNDHAM COLLECTION



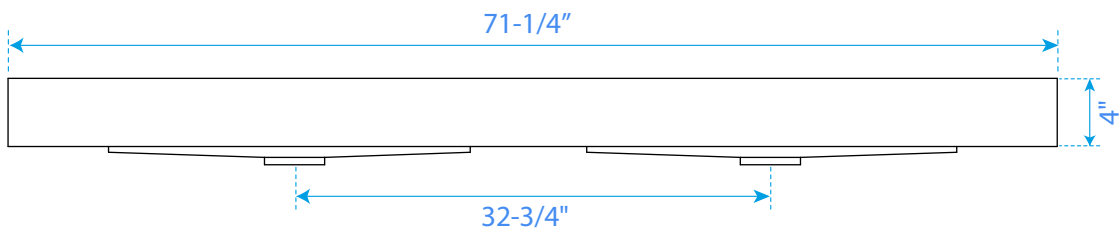
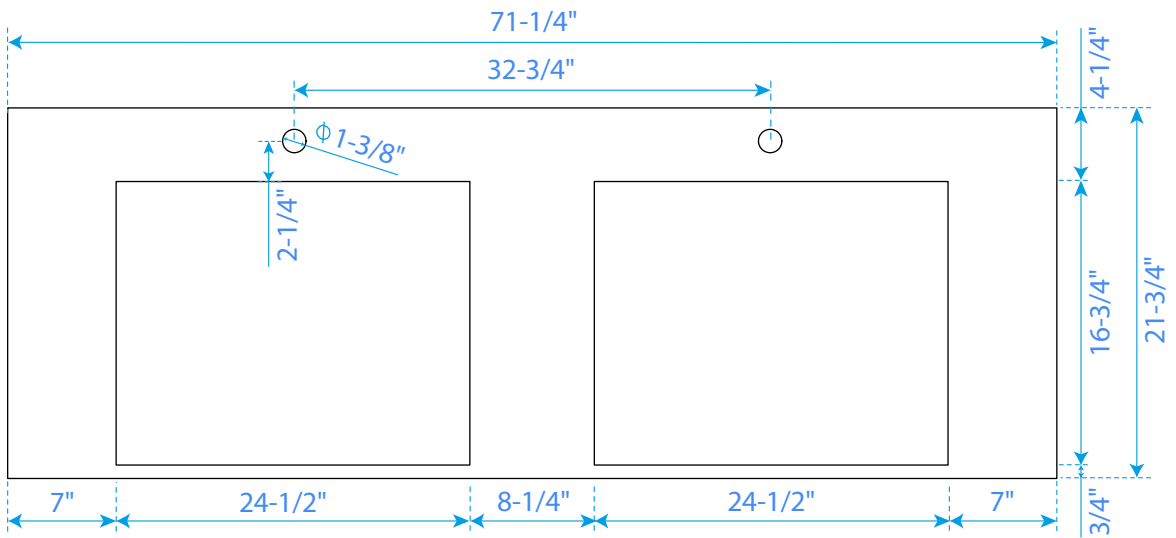
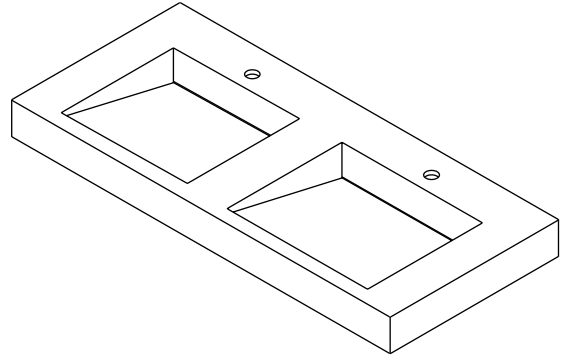
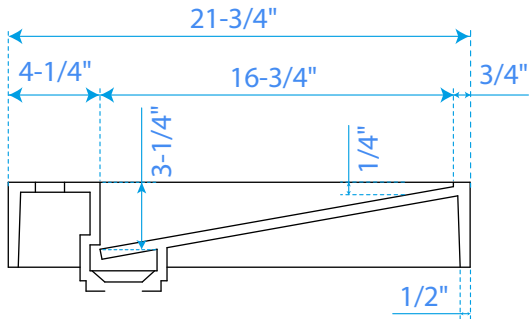
TOP VIEW OF VANITY CABINET



*Note: All measurements are $\pm 1/4"$.

WC-2828-72-DBL
with integrated sinks

WYNDHAM COLLECTION



*Note: All measurements are $\pm 1/4"$.

WC-KC4-72-DBL-TOP