

FULTON HOT ONLY FILTRATION FAUCET

Model # 1425H



PRODUCT DESCRIPTION

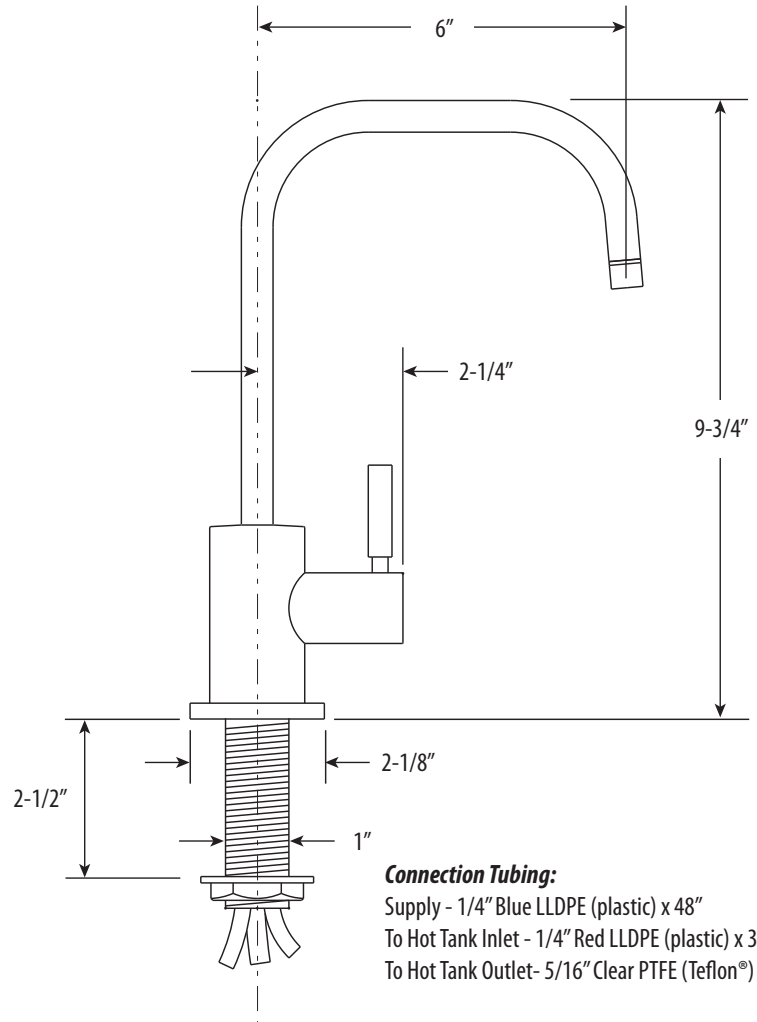
- For use with Waterstone Insta-Hot System.
- Part of the Fulton Contemporary Suite.
- Modern 2 Bend U-spout design w/ 6" reach
- Spout swivels 360 degrees.
- 1/4 turn ceramic disk valve cartridges.
- 1.1 gpm maximum flow rate.
- Solid brass or stainless steel construction.
- Single lever handles.
- ADA compliant.
- Compatible with Reverse Osmosis filtration systems.
- Lifetime functional warranty.
- Made in America.

CODES/STANDARDS APPLICABLE

Specified model meets or exceeds the following:

- ASME A112.18.1
- CSA B125.1
- NSF 61, 372
- CALGreen
- ADA Compliant

- Max Counter Thickness 2-1/2"
- Install Hole Size Adaptable Up to 1-3/8"



Connection Tubing:

Supply - 1/4" Blue LLDPE (plastic) x 48"
To Hot Tank Inlet - 1/4" Red LLDPE (plastic) x 36"
To Hot Tank Outlet - 5/16" Clear PTFE (Teflon®) x 36"



DIMENSIONS MAY VARY AND ARE SUBJECT TO CHANGE. NO RESPONSIBILITY IS ASSUMED FOR USE OF SUPERCEDED OR VOIDED DATA

AVAILABLE IN 30 FINISHES + SOLID STAINLESS STEEL

Antique Brass - AB
Antique Bronze - ABZ
Antique Copper - AC
American Bronze - AMB
Antique Pewter - AP
Gloss Black - GB
Black Nickel - BLN
Black-Oil Rubbed Bronze - ORB
Caribbean Bronze - CB
Chocolate Bronze - CHB
Chrome - CH

Classic Bronze - CLZ
Distressed Antique Brass - DAB
Distressed Antique Copper - DAC
Distressed American Bronze - DAMB
Distressed Antique Pewter - DAP
Matte Black - MB
Polished Brass - PB
Polished Copper - PC
Polished Gold - PG
Polished Nickel - PN
Satin Brass - SB

Satin Chrome - SC
Satin Gold - SG
Satin Nickel - SN
Stainless Steel - SS*
Tuscan Brass - TB
Unlaquered Polished Brass - UPB
Venetian Bronze - VB
Weathered Brass - WB
Weathered Copper - WC