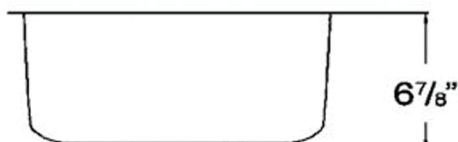
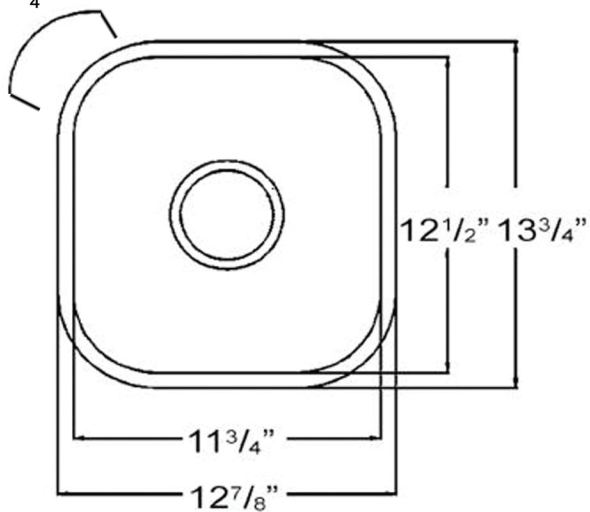




WHNU1212

Radius of
Corners: $1\frac{3}{4}$ "



LIVE WITH STYLE!