

Tubular Plastic

Trip Lever 500-TL

Trip Lever 500-TQ QUICK ADJUST®

For most tubs 14" - 16" high

Trip Lever 550-TL

For most tubs up to 24" high

Durable 1.5" Tubular Plastic PVC or ABS

SPECIFICATIONS

FEATURES:

- Designed for heavy-duty use in hotels, motels, and rental property.
- Metal strainer body for cast iron or plastic tubs.
- Retainer plate for overflow elbow.

APPROVALS:

- Manufactured in compliance with ASTM F 409-2002 and NSF/ANSI 14-2007.
- Manufactured in compliance with CSA Standard B181.1 and CSA Standard B181.2

OPERATION:

- Move trip lever, located on overflow plate, up to close drain and down to open drain.

THREAD SIZE (Strainer Body and Drain Ell):

- 1½" – 11½ NPSM (Coarse Thread)
- 1.865" Major Diameter (outside thread diameter)
- 11.5 threads per inch

PIPING: PVC ABS

OPTIONS:

- Removable tailpiece and "O" Ring Seal (Code "RT-1")
- Condensate Drain (Code "CD")
- Brass Drop Cylinder (Code "BD")
- Special lengths available:
 - Overflow extension (add code "EXlength")
example: EX6
 - Drain extension (add code "Dlength") example: D4

FINISHES:

- CP - Chrome Plated
- BN - Brushed Nickel
- BO - Bone
- BS - Biscuit
- BZ - Oil-Rubbed Bronze
- CB - Chrome Brushed
- NP - Nickel Polished
- PB - Polished Brass
- PN - Pearl Nickel
- WH - White
- WI - Wrought Iron



Not to be used in above-the-floor rough-in.

Model 500-TQ

Same as 500 Trip Lever except
Quick Adjust® has scale label on the
overflow pipe.
For most tubs 14"-16" high



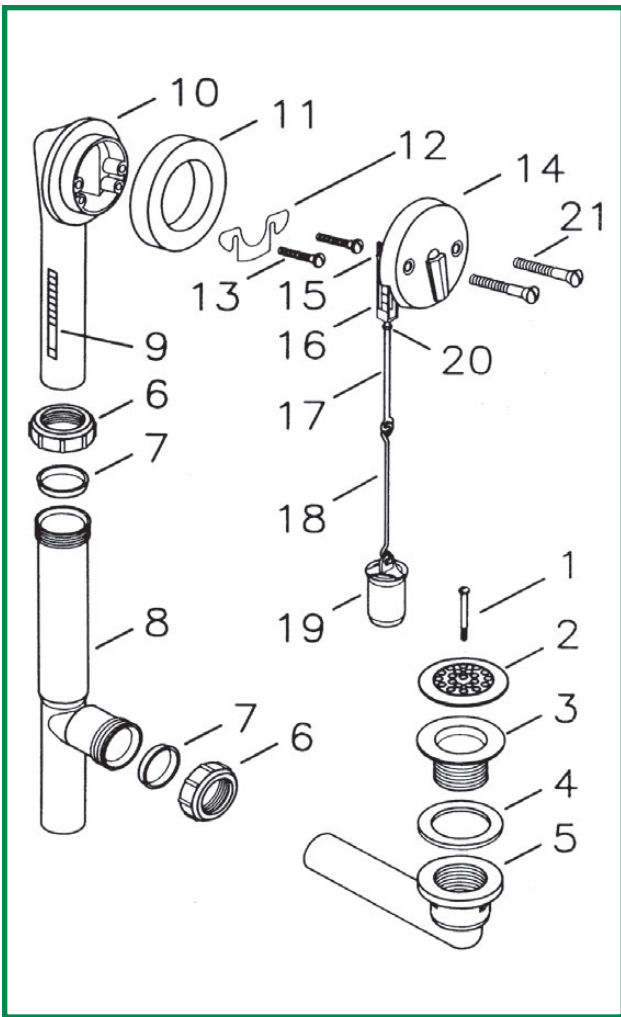
See price list for complete item numbers and available options.

When ordering, please specify complete item number and any applicable option codes.

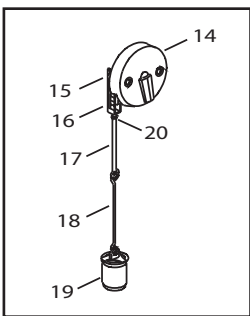


For More Information Contact:
WATCO Manufacturing Company
1220 South Powell Road
Independence, MO 64057-2724
Ph. 816-796-3900 • FAX 816-796-0875
www.watcomfg.com

500-TL/550-TL and 500-TQ Series Parts List



Item	Part #	Description
1.	01040CPStrainer Cover Plate Screw
2.	01006CPStrainer Cover Plate
3.	11495CPTrip Lever zinc Strainer Body, 1 1/2" - 11.5
4.	10696Drain Ell Washer
5.	11028 Drain Ell Tube, Tubular ABS, 1 1/2" - 11.5
	14028Drain Ell Tube, Tubular PVC, 1 1/2" - 11.5
6.	11580 Slip Joint Nut, ABS
	11581Slip Joint Nut, PVC
7.	11583Slip Joint Polywasher
8.	11000 Tee, Tubular ABS
	14000Tee, Tubular PVC
9.	TQ onlyQUICK ADJUST® label
10.	11003 Overflow Elbow, Tubular ABS
	14003Overflow Elbow, Tubular PVC
11.	10675 Overflow Ell Washer, Foam
12.	11530 Retainer Plate
13.	11540Retainer Plate Screw
14.	10700CPTL Faceplate Assembly
15.	10930Cotter Pin
16.	10950TL Quick Adjust "Q" Clevis
17.	10953Top Linkage Eye Bolt
18.	109545.25" Double-Loop Wire
19.	11005Drop Cylinder for ABS
	14005Drop Cylinder for PVC
20.	10952TL Linkage Nut
21.	01024CPScrew, Overflow Plate, 2.25"



10770-(PVC or ABS)-

Trip Lever faceplate assembly replacement for tubular plastic trip lever bath wastes.

Indicate PVC or ABS and finish desired.

Roughing-In Dimensions:

