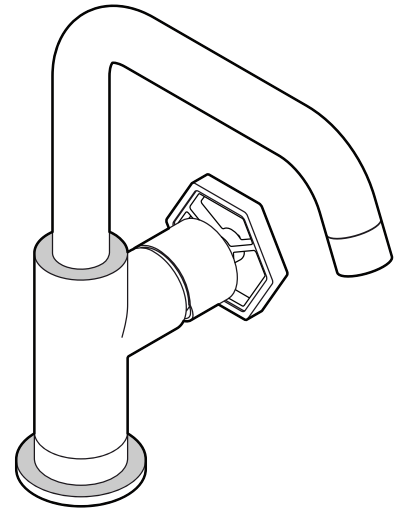


**VIGO Ruxton Oblique Single Hole Bathroom Faucet  
VG01051**

**PRODUCT FEATURES**

- 1-hole installation
- Single handle lever
- Eco-friendly 1.2 GPM flow rate
- Designed in NYC
- Solid brass construction
- FinishPlated™ ensures that the hardware finish is consistent throughout the entire sink faucet
- EternalSeal™ is an expertly tested ceramic cartridge that prevents leaks and dripping
- Power Meets Tranquility with an Eco-Friendly Flow
- Easy-to-Clean Nozzle Resists Mineral Buildup
- Features a quality assured Limited Lifetime Warranty
- Pairs perfectly with any bathroom sink, vanity or countertops
- Thoughtfully Engineered for a Reliable Flow
- Versatile Designs for Any Aesthetic
- All parts & hardware are included
- EZInstall™ makes installation quick and easy without the use of putty



**CODES / STANDARDS**



- cUPC, NSF-61, AB1953 and WaterSense certified by IAPMO, ADA compliant
- All VIGO Kitchen Faucets have a Limited Lifetime Warranty\*

**MATERIAL**

- Housing material: Brass
- Valve material: Ceramic
- VIGO 7-layer coated finish resists corrosion and tarnish, maintaining a pristine look for years to come.

**WATER CONSERVATION**

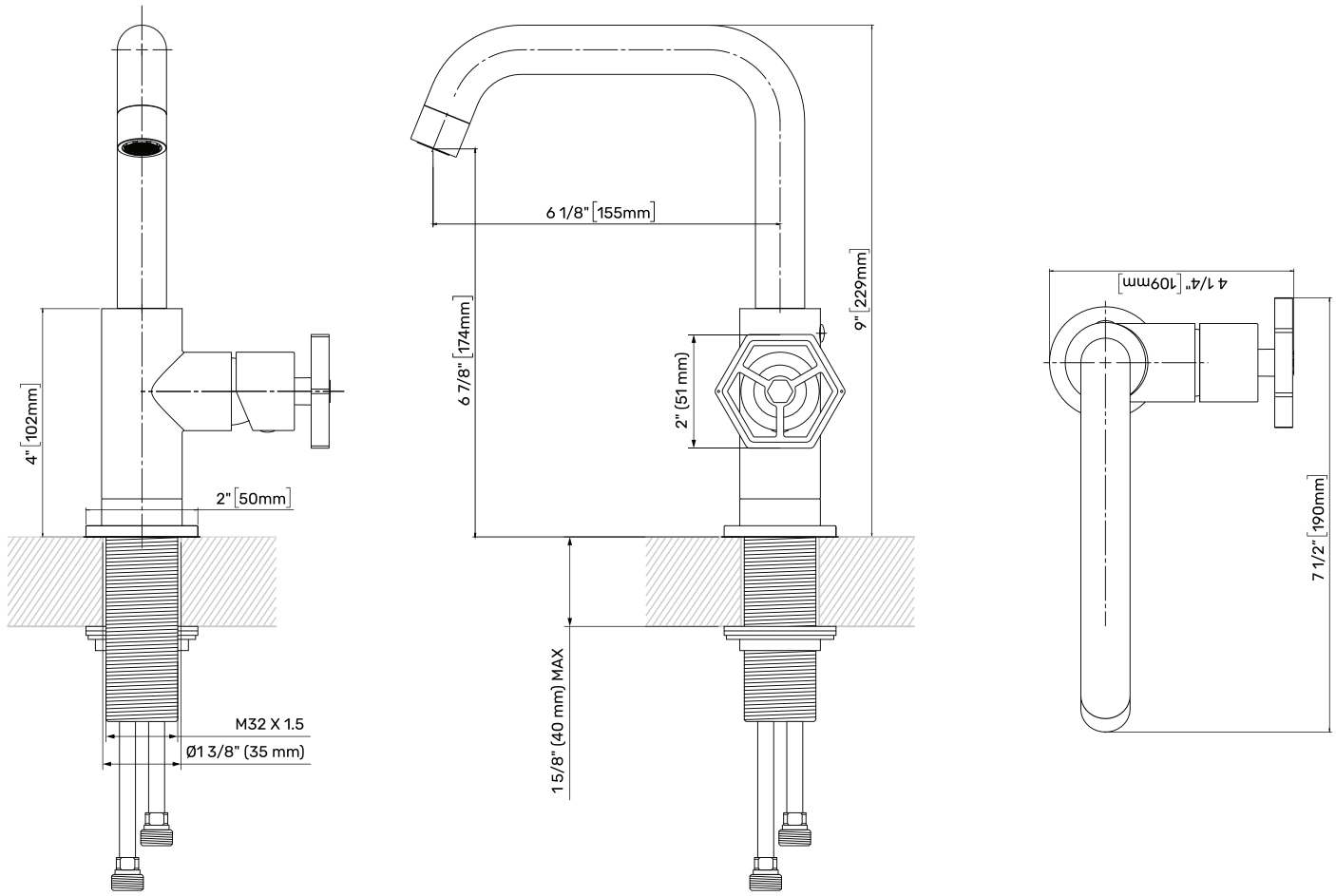
Promoting a sustainable lifestyle, the 1.2 GPM faucet spout conserves water without sacrificing performance.

**AVAILABLE FINISHES**

Color**	Code	Description
	CH	Chrome
	BN	Brushed Nickel
	MB	Matte Black
	MG	Matte Brushed Gold

\* See website for detailed warranty information.

\*\*Color swatches intended for reference only.



FRONT VIEW

SIDE VIEW

TOP VIEW

DIMENSIONS

Faucet height	9" (229mm)	Diameter Opening	Standard 1 3/8" diameter opening is required
Spout reach	6 1/8" (155mm)	Water supply connection	Standard US plumbing 3/8" connections
Spout height	6 7/8" (174mm)	Installation compatibility	1-hole
Hole Diameter	Ø1 3/8" (35mm)		
Flow rate	1.2 gal/min		
Faucet body	Brass		

NOTE

Install this product according to the installation instructions.

VIGO reserves the right to make revisions without prior notice.

For the most updated specifications, please go to:

[www.vigoindustries.com](http://www.vigoindustries.com)

or email us at:

[support@vigoindustries.com](mailto:support@vigoindustries.com)

QUESTIONS?

For installation help, missing or replacement parts, please contact our product specialist for consultation.

+1 866-591-7792 (Option 2) (9:30am - 5:30pm EST)

[techmail@vigoindustries.com](mailto:techmail@vigoindustries.com)

CONNECT WITH US



vigoindustries