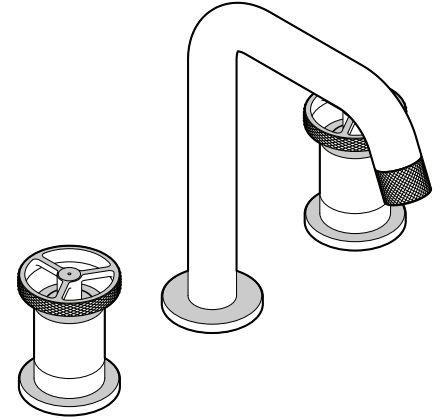


**VIGO Cass (8 in. Widespread) 2-Handle Bathroom Faucet
VG01301**

PRODUCT FEATURES

- 3-hole installation
- 2-handle widespread lavatory faucet
- Eco-friendly 1.2 GPM flow rate
- Designed in NYC
- Solid brass construction
- FinishPlated™ ensures that the hardware finish is consistent throughout the entire sink faucet
- EternalSeal™ is an expertly tested ceramic cartridge that prevents leaks and dripping
- Power Meets Tranquility with an Eco-Friendly Flow
- Easy-to-Clean Nozzle Resists Mineral Buildup
- Features a quality assured Limited Lifetime Warranty
- Optional deck plate sold separately
- Thoughtfully Engineered for a Reliable Flow
- Versatile Designs for Any Aesthetic
- All parts & hardware are included
- EZInstall™ makes installation quick and easy without the use of putty



CODES / STANDARDS



- cUPC, NSF-61, AB1953 and WaterSense certified by IAPMO
- All VIGO Kitchen Faucets have a Limited Lifetime Warranty*

MATERIAL

- Housing material: Brass
- Valve material: Ceramic
- VIGO 7-layer coated finish resists corrosion and tarnish, maintaining a pristine look for years to come.

WATER CONSERVATION

Promoting a sustainable lifestyle, the 1.2 GPM faucet spout conserves water without sacrificing performance.

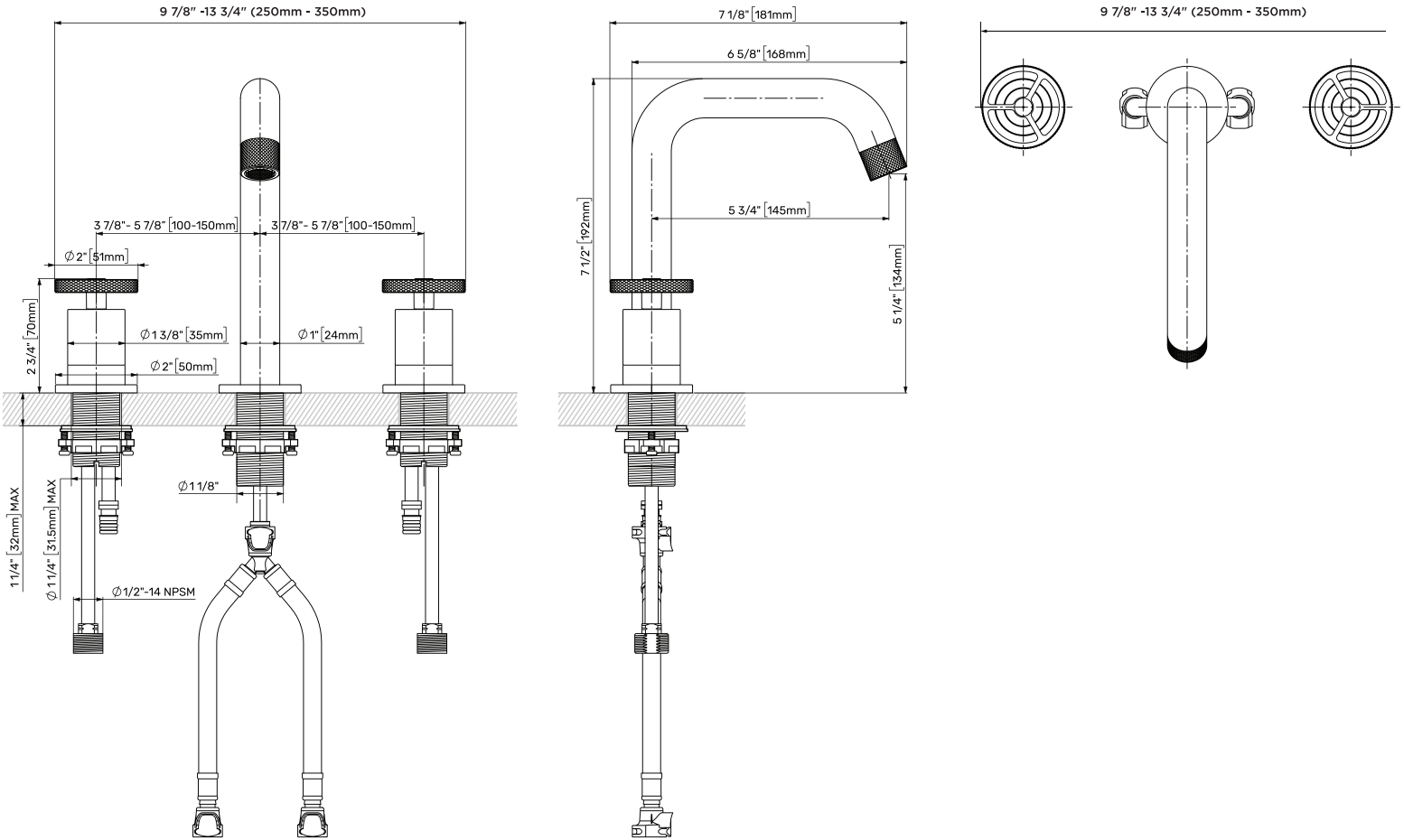
AVAILABLE FINISHES

Color**	Code	Description
	CH	Chrome
	BN	Brushed Nickel
	MB	Matte Black
	MG	Matte Brushed Gold

* See website for detailed warranty information.

**Color swatches intended for reference only.

**VIGO Cass (8 in. Widespread) 2-Handle Bathroom Faucet
VG01301**



FRONT VIEW

SIDE VIEW

TOP VIEW

DIMENSIONS			
Faucet height	7 1/2" (192mm)	Diameter Opening	Standard 1 3/8" diameter opening is required
Spout reach	5 3/4" (145mm)	Water supply connection	Standard US plumbing 3/8" connections
Spout height	5 1/4" (134mm)	Installation compatibility	3-hole*
Hole Diameter	Ø1 3/8" (35mm)		
Flow rate	1.2 gal/min		
Faucet body	Brass		

NOTE
Install this product according to the installation instructions.
VIGO reserves the right to make revisions without prior notice.
For the most updated specifications, please go to:
www.vigoindustries.com
or email us at:
support@vigoindustries.com

QUESTIONS?
For installation help, missing or replacement parts, please contact our product specialist for consultation.
+1 866-591-7792 (Option 2) (9:30am - 5:30pm EST)
techmail@vigoindustries.com

CONNECT WITH US
f i p t
vigoindustries

*deck plate is available for purchase separately to accommodate multiple setups