

Dimensional Document

Viega MegaPress® Stainless ½" to 2" Fittings

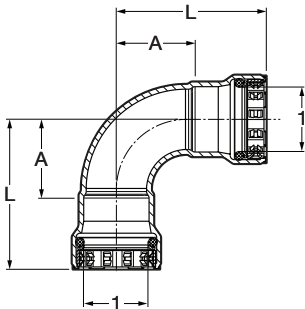


This document is subject to updates. For the most current Viega technical literature please visit viega.us.



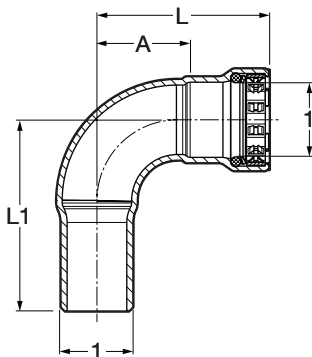
Viega products are designed to be installed by licensed and trained plumbing and mechanical professionals who are familiar with Viega products and their installation. **Installation by non-professionals may void Viega LLC's warranty.**

MegaPress 90° Elbow, Stainless Steel, P x P - Models 4116 / 5116

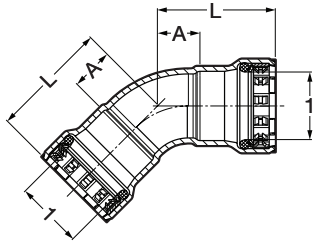


Part No.		Size (in)	A (in)	L (in)
304	316	1		
95005	90005	½	1.17	2.24
95010	90010	¾	1.36	2.52
95015	90015	1	1.72	3.07
95785	90835	1¼	1.96	3.82
95020	90020	1½	2.26	4.13
95025	90025	2	2.80	4.78

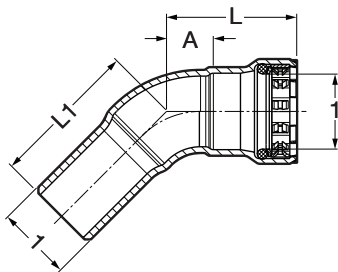
MegaPress 90° Elbow, Stainless Steel, FTG x P - Models 4116.1 / 5116.1



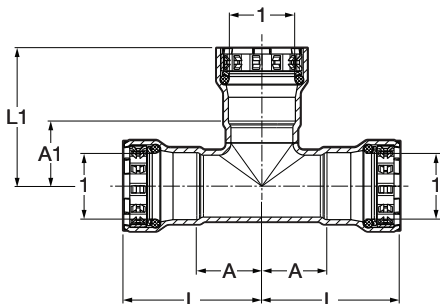
Part No.		Size (in)	A (in)	L (in)	L1 (in)
304	316	1			
95030	90030	½	1.17	2.24	2.56
95035	90035	¾	1.36	2.52	2.87
95040	90040	1	1.72	3.07	3.39
95845	90895	1¼	1.96	3.82	4.04
95045	90045	1½	2.26	4.13	4.21
95050	90050	2	2.80	4.78	5.08

MegaPress 45° Elbow, Stainless Steel, P x P - Models 4126 / 5126


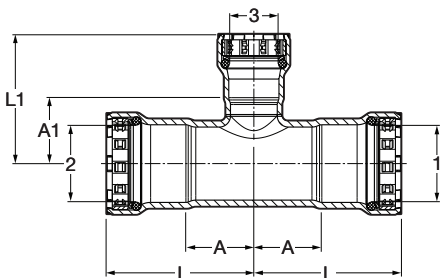
Part No.		Size (in)	A (in)	L (in)
304	316	1		
95055	90055	1/2	0.60	1.67
95060	90060	3/4	0.71	1.87
95065	90065	1	0.86	2.20
95790	90840	1 1/4	0.94	2.80
95070	90070	1 1/2	1.12	2.99
95075	90075	2	1.32	3.31

MegaPress 45° Elbow, Stainless Steel, FTG x P - Models 4126.1 / 5126.1


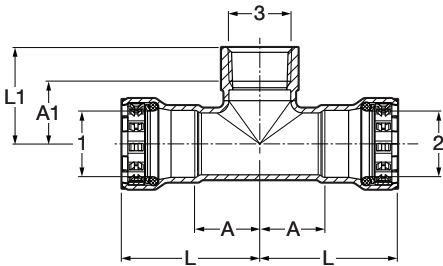
Part No.		Size (in)	A (in)	L (in)	L1 (in)
304	316	1			
95080	90080	1/2	0.60	1.67	1.97
95085	90085	3/4	0.71	1.87	2.13
95090	90090	1	0.86	2.20	2.52
95850	90900	1 1/4	0.94	2.80	2.99
95095	90095	1 1/2	1.12	2.99	3.07
95100	90100	2	1.32	3.31	3.58

MegaPress Tee, Stainless Steel, P x P x P - Models 4118 / 5118


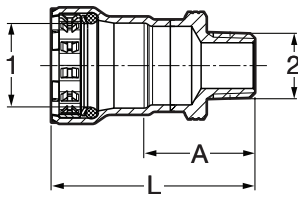
Part No.		Size (in)	A (in)	A1 (in)	L (in)	L1 (in)
304	316	1				
95105	90105	1/2	0.97	0.93	2.04	2.00
95110	90110	3/4	1.11	1.09	2.26	2.24
95115	90115	1	1.23	1.23	2.57	2.57
95795	90845	1 1/4	1.41	1.38	3.27	3.24
95120	90120	1 1/2	1.57	1.54	3.44	3.41
95125	90125	2	1.81	1.80	3.80	3.79

MegaPress Reducing Tee, Stainless Steel, P x P x P - Models 4118 / 5118


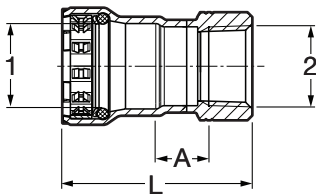
Part No.		Size (in)	A (in)	A1 (in)	L (in)	L1 (in)
304	316	1 2 3				
95130	90130	3/4 x 3/4 x 1/2	1.11	1.07	2.26	2.14
95135	90135	1 x 1 x 1/2	1.23	1.20	2.57	2.28
95140	90140	1 x 1 x 3/4	1.23	1.24	2.57	2.40
95855	90905	1 1/4 x 1 1/4 x 1/2	1.41	1.31	3.27	2.42
95860	90910	1 1/4 x 1 1/4 x 3/4	1.41	1.35	3.27	2.55
95865	90915	1 1/4 x 1 1/4 x 1	1.41	1.34	3.27	2.73
95145	90145	1 1/2 x 1 1/2 x 1/2	1.57	1.44	3.44	2.51
95150	90150	1 1/2 x 1 1/2 x 3/4	1.57	1.48	3.44	2.64
95155	90155	1 1/2 x 1 1/2 x 1	1.57	1.48	3.44	2.83
95160	90160	2 x 2 x 1/2	1.81	1.74	3.80	2.81
95165	90165	2 x 2 x 3/4	1.81	1.80	3.80	2.95
95170	90170	2 x 2 x 1	1.81	1.75	3.80	3.10
95175	90175	2 x 2 x 1 1/2	1.81	1.84	3.80	3.71

MegaPress Reducing Tee, Stainless Steel, P x P x FPT - Models 4117.2 / 5117.2


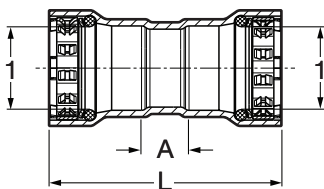
Part No.		Size (in)			A (in)	A1 (in)	L (in)	L1 (in)
304	316	1	2	3				
95180	90180	3/4	3/4	1/2	1.11	1.02	2.26	1.55
95185	90185	3/4	3/4	3/4	1.11	1.03	2.26	1.58
95190	90190	1	1	1/2	1.23	1.19	2.57	1.73
95195	90195	1	1	3/4	1.23	1.18	2.57	1.73
95200	90200	1 1/2	1 1/2	1/2	1.57	1.42	3.44	1.95
95205	90205	1 1/2	1 1/2	3/4	1.57	1.41	3.44	1.97
95210	90210	1 1/2	1 1/2	1	1.57	1.57	3.44	2.24
95215	90215	2	2	1/2	1.81	1.70	3.80	2.24
95220	90220	2	2	3/4	1.81	1.72	3.80	2.28
95225	90225	2	2	1	1.81	1.89	3.80	2.55

MegaPress Adapter, Stainless Steel, P x MPT - Models 4111 / 5111


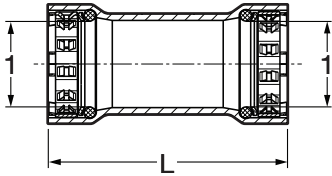
Part No.		Size (in)		A (in)	L (in)
304	316	1	2		
95230	90230	1/2	1/2	1.45	2.52
95235	90235	3/4	1/2	1.49	2.65
95240	90240	3/4	3/4	1.50	2.66
95245	90245	1	1	1.66	3.00
95830	90880	1 1/4	1 1/4	1.85	3.70
95250	90250	1 1/2	1 1/2	1.93	3.80
95255	90255	2	2	1.93	3.92

MegaPress Adapter, Stainless Steel, P x FPT - Models 4112 / 5112


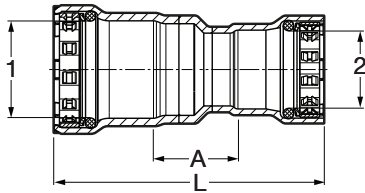
Part No.		Size (in)		A (in)	L (in)
304	316	1	2		
95260	90260	1/2	1/2	0.69	2.29
95265	90265	3/4	3/4	0.74	2.45
95270	90270	1	1	0.73	2.74
95835	90885	1 1/4	1 1/4	0.73	3.27
95275	90275	1 1/2	1 1/2	0.72	3.28
95280	90280	2	2	0.76	3.44

MegaPress Coupling with Stop, Stainless Steel, P x P - Models 4115 / 5115


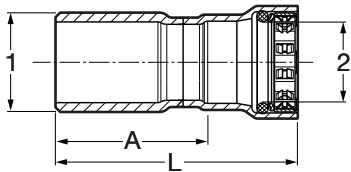
Part No.		Size (in)	A (in)	L (in)
304	316	1		
95285	90285	1/2	0.56	2.70
95290	90290	3/4	0.63	2.94
95295	90295	1	0.59	3.29
95800	90850	1 1/4	0.70	4.42
95300	90300	1 1/2	0.89	4.63
95305	90305	2	0.77	4.75

MegaPress Coupling No Stop, Stainless Steel, P x P - Models 4115.5 / 5115.5


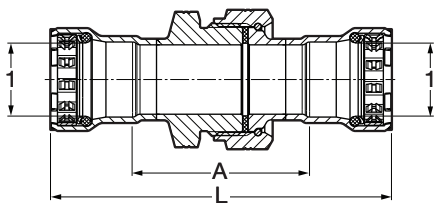
Part No.		Size (in)	L (in)
304	316	1	
95310	90310	1/2	2.71
95315	90315	3/4	2.94
95320	90320	1	3.29
95805	90855	1 1/4	4.42
95325	90325	1 1/2	4.63
95330	90330	2	4.74

MegaPress Reducer, Stainless Steel, P x P - Models 4115.2 / 5115.2


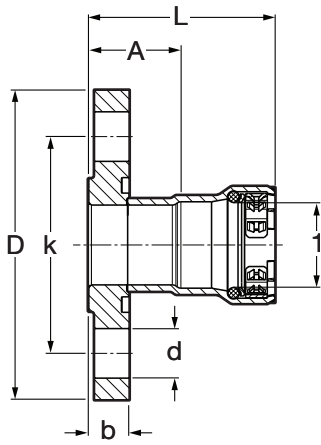
Part No.		Size (in)	A (in)	L (in)
304	316	1 2		
95335	90335	3/4 x 1/2	1.20	3.43
95340	90340	1 x 3/4	1.24	3.74
95820	90870	1 1/4 x 1	1.19	4.43
95345	90345	1 1/2 x 1	1.35	4.57
95350	90350	2 x 1 1/2	1.43	5.26

MegaPress Reducer, Stainless Steel, FTG x P - Models 4115.1 / 5115.1


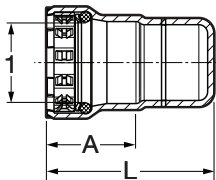
Part No.		Size (in)	A (in)	L (in)
304	316	1 2		
95355	90355	3/4 x 1/2	1.78	2.85
95360	90360	1 x 1/2	2.14	3.21
95365	90365	1 x 3/4	2.09	3.24
95810	90860	1 1/4 x 1	2.64	4.02
95815	90865	1 1/2 x 1 1/4	2.66	4.52
95370	90370	1 1/2 x 3/4	2.98	4.13
95375	90375	1 1/2 x 1	2.81	4.16
95380	90380	2 x 1	3.14	4.49
95385	90385	2 x 1 1/2	2.96	4.83

MegaPress Union, Stainless Steel, P x P - Models 4160 / 5160


Part No.		Size (in)	A (in)	L (in)
304	316	1		
95415	90415	1/2	2.35	4.50
95420	90420	3/4	2.67	4.99
95425	90425	1	2.65	5.34
95875	90925	1 1/4	2.76	6.48
95430	90430	1 1/2	2.89	6.63
95435	90435	2	3.92	7.89

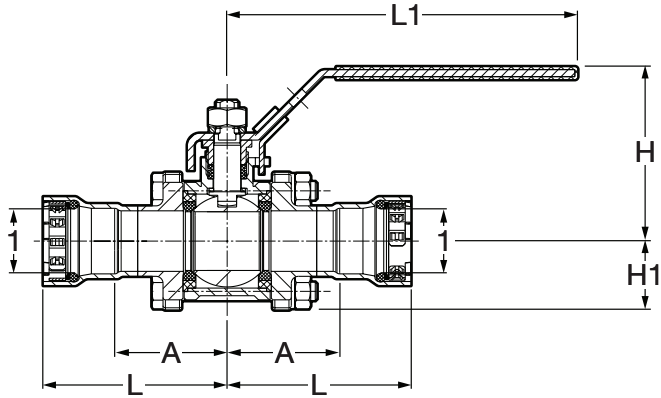
MegaPress Flange, Stainless Steel, P x BP - Models 4159 / 5159


Part No.		Size (in)	A (in)	L (in)	b (in)	k (in)	D (in)	d (in)
304	316	1						
95440	90440	1/2	1.51	2.58	0.46	2.36	3.54	0.63
95445	90445	3/4	1.58	2.74	0.52	2.76	3.94	0.63
95450	90450	1	1.75	3.10	0.58	3.11	4.33	0.63
95870	90875	1 1/4	1.72	3.57	0.64	3.50	4.53	0.63
95455	90455	1 1/2	2.06	3.93	0.70	3.86	4.92	0.63
95460	90460	2	2.07	4.06	0.77	4.76	5.91	0.75

MegaPress Cap, Stainless Steel, P x Cap - Models 4156 / 5156


Part No.		Size (in)	A (in)	L (in)
304	316	1		
95390	90390	1/2	1.07	2.14
95395	90395	3/4	1.16	2.26
95400	90400	1	1.35	2.43
95825	90875	1 1/4	1.86	2.93
95405	90405	1 1/2	1.87	3.02
95410	90410	2	1.99	3.11

MegaPress 3-Piece Ball Valve, Stainless Steel, P x P - Models 4175.8 / 5175.8



Part No.		Size (in)	A (in)	L (in)	L1 (in)	H (in)	H1 (in)
304	316	1					
86500	86530	1/2	1.72	2.80	5.88	2.85	1.04
86505	86535	3/4	1.91	3.06	5.88	2.93	1.16
86510	86540	1	2.19	3.54	7.54	3.33	1.40
86515	86545	1 1/4	2.50	4.31	7.54	3.57	1.57
86520	86550	1 1/2	2.92	4.79	7.54	3.89	1.83
86525	86555	2	3.09	5.07	7.54	3.89	1.83

V Viega LLC
 585 Interlocken Blvd.
 Broomfield, CO 80021

Phone (800) 976-9819
www.viega.us

DD-MP 0819 MegaPress Stainless 1/2" to 2" Fittings

