



T&S BRASS AND BRONZE WORKS, INC.

2 Saddleback Cove / P.O. Box 1088
Travelers Rest, SC 29690

Model No.

BL-5709-08WH4

Item No.

Travelers Rest, SC: 800-476-4103 • Simi Valley, CA: 800-423-0150 • Fax: 864-834-3518 • www.tsbrass.com

This Space for Architect/Engineer Approval

Job Name _____ Date _____

Model Specified _____ Quantity _____

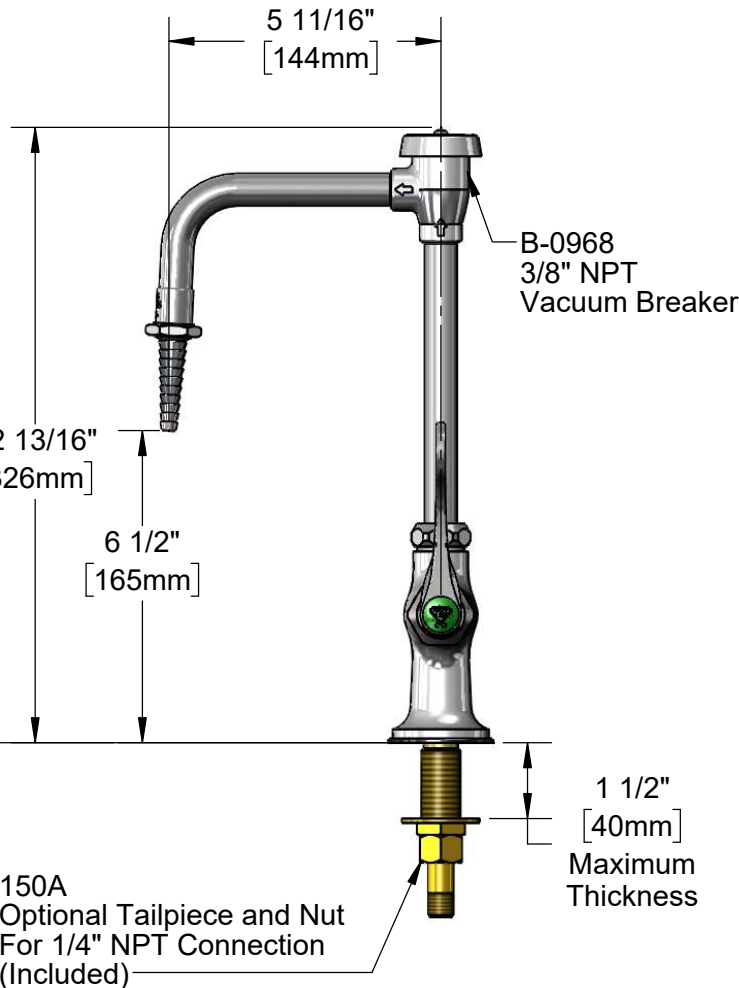
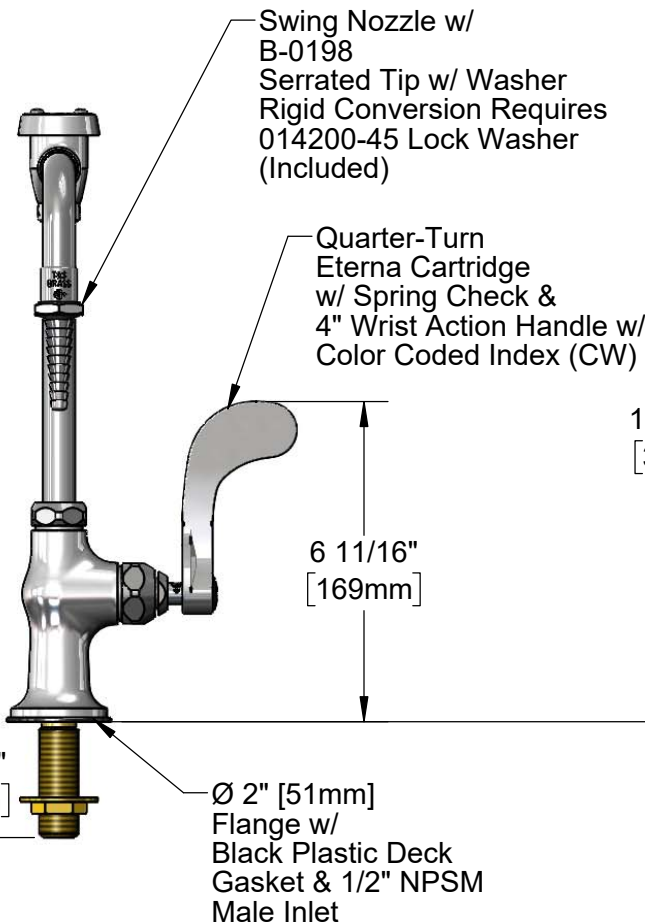
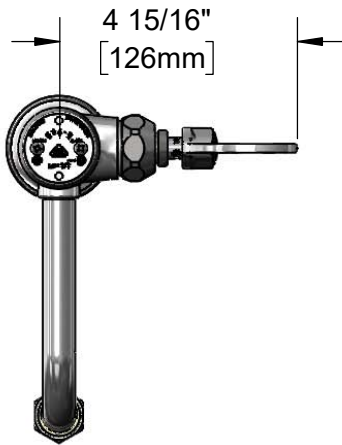
Customer/Wholesaler _____

Contractor _____

Architect/Engineer _____



ADA Compliant



2 7/16" [61mm]

Ø 2" [51mm] Flange w/ Black Plastic Deck Gasket & 1/2" NPSM Male Inlet

150A Optional Tailpiece and Nut For 1/4" NPT Connection (Included)

1 1/2" [40mm] Maximum Thickness

Rough-in Requirement:
Ø 1" [25mm] Hole

Product Specifications:

Single Temperature Lab Faucet w/ Swivel/Rigid Vacuum Breaker Nozzle, Serrated Tip Outlet, Quarter-Turn Eterna Cartridge w/ Spring Check, 4" Wrist Action Handle & 1/2" NPSM Male Inlet

Product Compliance:

ASME A112.18.1 / CSA B125.1
NSF 61 - Section 9
NSF 372 (Low Lead Content)
ANSI A117.1 (ADA)
ASSE 1001 (VB)



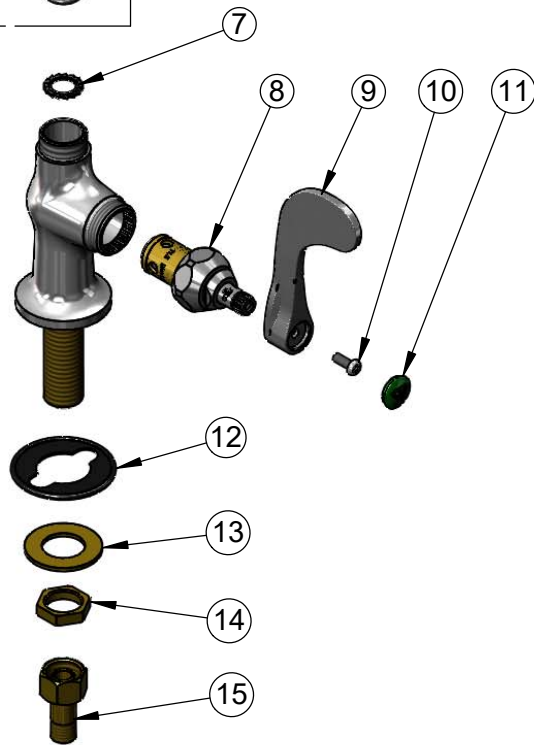
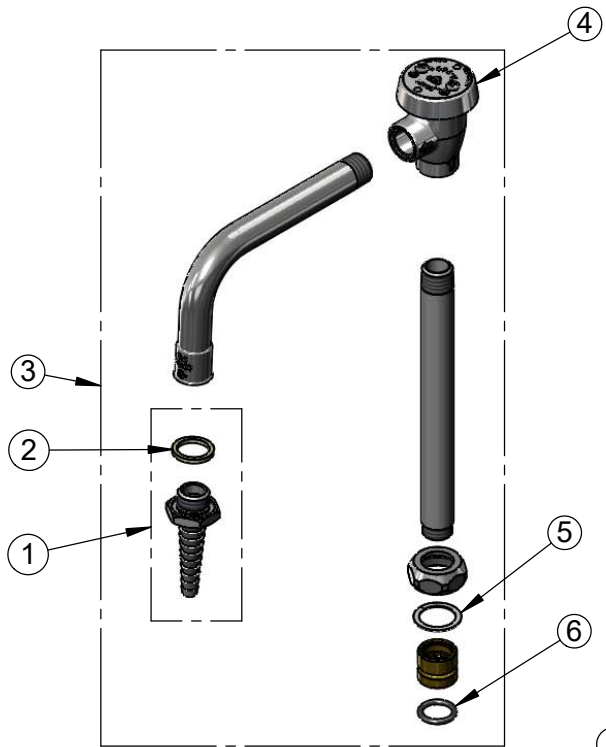
T&S BRASS AND BRONZE WORKS, INC.
 2 Saddleback Cove / P.O. Box 1088
 Travelers Rest, SC 29690

Model No.
BL-5709-08WH4

Item No.

Travelers Rest, SC: 800-476-4103 • Simi Valley, CA: 800-423-0150 • Fax: 864-834-3518 • www.tsbrass.com

ITEM NO.	SALES NO.	DESCRIPTION
1	B-0198	Serrated Tip
2	001051-45	Washer
3	BL-5560-03	Swivel Vacuum Breaker Nozzle w/ Serrated Tip
4	B-0968	Vacuum Breaker, 3/8"
5	009538-45	Swivel Washer
6	001074-45	O-ring
7	014200-45	Star Washer, Anti-Rotation
8	012443-40NS	Quarter-Turn Eterna Cartridge w/ Spring Check, RTC
9	B-WH4-NS	Wrist Action Handle (New Style)
10	000925-45	Lab Handle Screw
11	001191-45NS	Green "CW" Lab Button Index
12	144L	Black Plastic Gasket
13	000999-45	Brass Lock Washer
14	002954-45	Shank Lock Nut
15	150A	1/4" NPT Tailpiece



Product Specifications:

Single Temperature Lab Faucet w/ Swivel/Rigid Vacuum Breaker Nozzle, Serrated Tip Outlet, Quarter-Turn Eterna Cartridge w/ Spring Check, 4" Wrist Action Handle & 1/2" NPSM Male Inlet

Product Compliance:

ASME A112.18.1 / CSA B125.1
 NSF 61 - Section 9
 NSF 372 (Low Lead Content)
 ANSI A117.1 (ADA)
 ASSE 1001 (VB)