



**T&S BRASS AND BRONZE WORKS, INC.**  
 2 Saddleback Cove / P.O. Box 1088  
 Travelers Rest, SC 29690

Model No.  
**B-7245-06**

Item No.

Travelers Rest, SC: 800-476-4103 • Simi Valley, CA: 800-423-0150 • Fax: 864-834-3518 • www.tsbrass.com

This Space for Architect/Engineer Approval

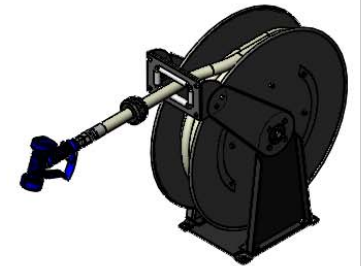
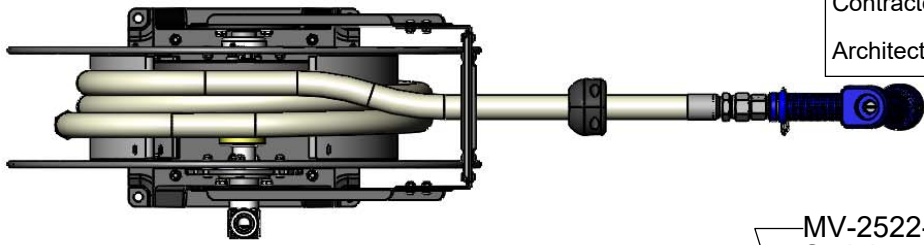
Job Name \_\_\_\_\_ Date \_\_\_\_\_

Model Specified \_\_\_\_\_ Quantity \_\_\_\_\_

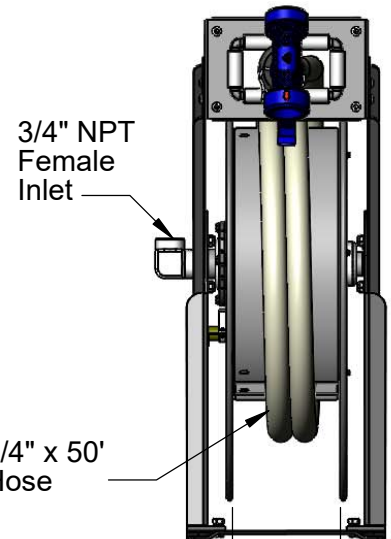
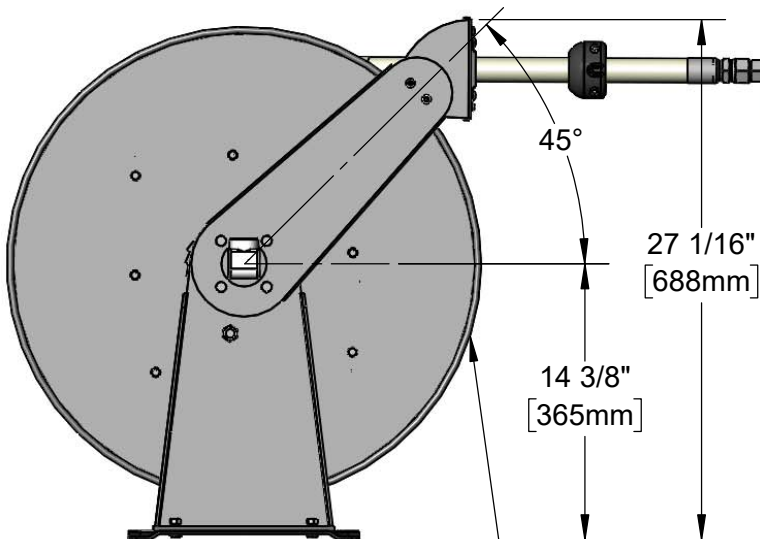
Customer/Wholesaler \_\_\_\_\_

Contractor \_\_\_\_\_

Architect/Engineer \_\_\_\_\_



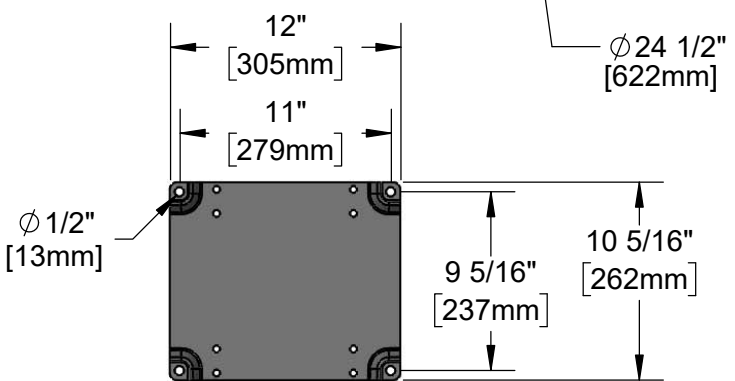
MV-2522-34  
 Stainless Steel Front  
 Trigger Water Gun w/  
 7/16" Orifice



3/4" NPT  
 Female  
 Inlet

3/4" x 50'  
 Hose

5 5/8"  
 [143mm]



Product Specifications:  
 3/4" x 50' Open Coated Reel, Creamery Hose, Stainless Steel  
 Front Trigger Water Gun, 7/16" Orifice & Double Arm Support

Product Compliance:  
 NSF 61 Exempt (Non-Potable)  
 2019 DOE PRSV Non-Compliant

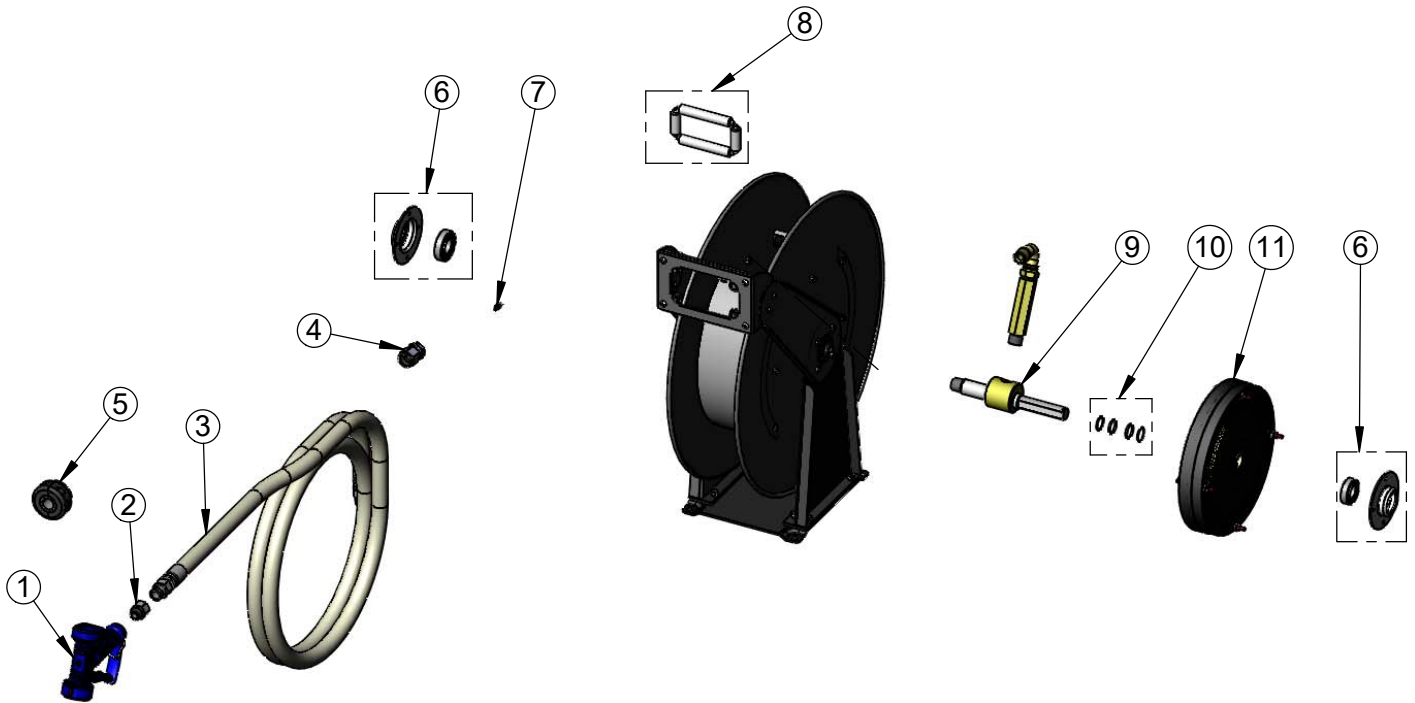


**T&S BRASS AND BRONZE WORKS, INC.**  
 2 Saddleback Cove / P.O. Box 1088  
 Travelers Rest, SC 29690

Model No.  
**B-7245-06**  
 Item No.

Travelers Rest, SC: 800-476-4103 • Simi Valley, CA: 800-423-0150 • Fax: 864-834-3518 • www.tsbrass.com

ITEM NO.	SALES NO.	DESCRIPTION
1	MV-2522-34	Front Trigger Gun, 7/16" Orifice
2	006112-25	Adapter, 3/4" NPT Female x 1/2" NPT Male
3	004980-40	50' of 3/4" Creamery Hose
4	015713-45	Swivel Connector, 3/4" NPT Female x 3/4" NPT Female
5	014930-45	Hose Stop Repair Kit
6	014923-45	Bearing Repair Kit
7	014926-45	Ratchet Spring Repair Kit
8	014925-45	Roller Guide Kit
9	014928-45	Swivel Repair Kit
10	014929-45	O-Ring Repair Kit
11	014924-45	Spring Repair Kit



Product Specifications:  
 3/4" x 50' Open Coated Reel, Creamery Hose, Stainless Steel  
 Front Trigger Water Gun, 7/16" Orifice & Double Arm Support

Product Compliance:  
 NSF 61 Exempt (Non-Potable)  
 2019 DOE PRSV Non-Compliant