



# T&S BRASS AND BRONZE WORKS, INC.

2 Saddleback Cove / P.O. Box 1088  
Travelers Rest, SC 29690

Model No.

**B-3960-01**

Item No.

Travelers Rest, SC: 800-476-4103 • Simi Valley, CA: 800-423-0150 • Fax: 864-834-3518 • www.tsbrass.com

This Space for Architect/Engineer Approval

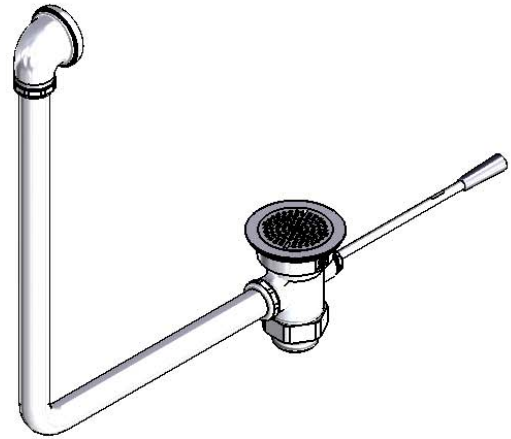
Job Name \_\_\_\_\_ Date \_\_\_\_\_

Model Specified \_\_\_\_\_ Quantity \_\_\_\_\_

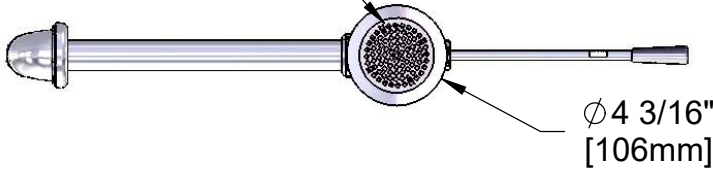
Customer/Wholesaler \_\_\_\_\_

Contractor \_\_\_\_\_

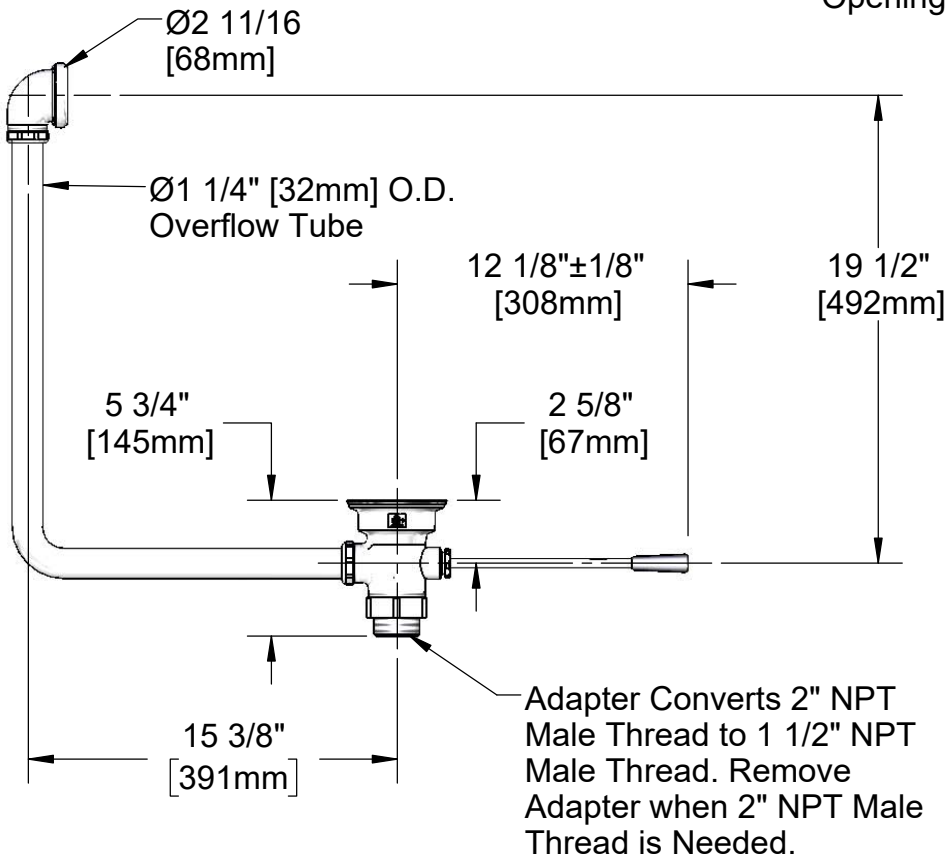
Architect/Engineer \_\_\_\_\_



Removable  
Snap-In Strainer



Ø2" [51mm]  
Opening Required



Adapter Converts 2" NPT  
Male Thread to 1 1/2" NPT  
Male Thread. Remove  
Adapter when 2" NPT Male  
Thread is Needed.

Product Specifications:  
Waste Drain Valve, Lever Handle, 3" Sink Opening, 2" NPT Male Outlet,  
1 1/2" Male Adapter & Overflow Tube w/ Head Assembly

Product Compliance:  
ASME A112.18.2 / CSA B125.2



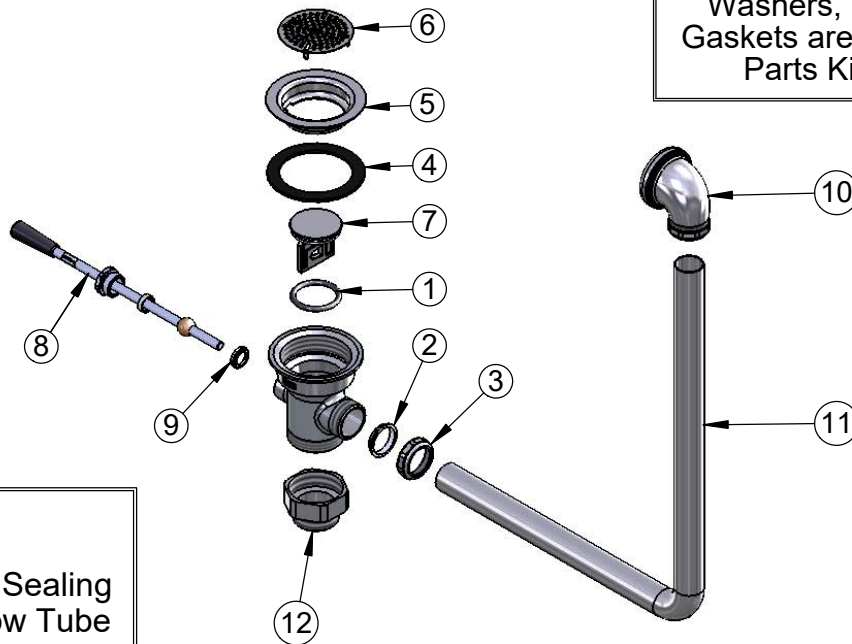
**T&S BRASS AND BRONZE WORKS, INC.**  
 2 Saddleback Cove / P.O. Box 1088  
 Travelers Rest, SC 29690

Model No.  
**B-3960-01**

Item No.

Travelers Rest, SC: 800-476-4103 • Simi Valley, CA: 800-423-0150 • Fax: 864-834-3518 • www.tsbrass.com

ITEM NO.	SALES NO.	DESCRIPTION
1	010389-45	O-Ring, Plunger
2	010390-45	Ferrule, Coupling Nut
3	010391-45	Nut, Coupling for Twist Drain
4	010381-45	Gasket, 3" Face Flange
5	015306-45	Flange, 3" Face
6	010385-45	Strainer, 3" Snap-in
7	010388-45	Plunger, Lever and Twist Drain
8	010394-45	Handle Asm, Waste Drain Valve Lever
9	010392-45	Bushing, Waste Drain Lever Handle
10	011356-45	Head Asm, Overflow Tube
11	011355-45	Tube, Overflow Elbow
12	B-3945	Adapter, 2" NPT x 1 1/2" NPT



Also Furnished w/ Sealing Cap When Overflow Tube Coupling Nut is Not Used.  
 PN# 012640-45

Product Specifications:  
 Waste Drain Valve, Lever Handle, 3" Sink Opening, 2" NPT Male Outlet, 1 1/2" Male Adapter & Overflow Tube w/ Head Assembly

Product Compliance:  
 ASME A112.18.2 / CSA B125.2