



T&S BRASS AND BRONZE WORKS, INC.

2 Saddleback Cove / P.O. Box 1088
Travelers Rest, SC 29690

Model No.

B-0133-CR-BJSTK

Item No.

Travelers Rest, SC: 800-476-4103 • Simi Valley, CA: 800-423-0150 • Fax: 864-834-3518 • www.tsbrass.com

This Space for Architect/Engineer Approval

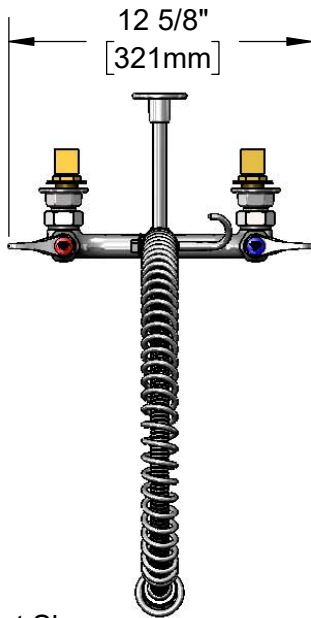
Job Name _____ Date _____

Model Specified _____ Quantity _____

Customer/Wholesaler _____

Contractor _____

Architect/Engineer _____



44" Flexible Stainless Steel Hose w/ Spring & Spray Valve

Items Not Shown for Clarity

B-TEE-RGD Tee for Accessory Fittings

Direction of Tee is Discretion of End-User During Installation

3/8" NPT x 18" Riser

Finger Hook

EasyInstall Lock Nut & Bushing

B-0107-J 1.07 GPM Spray Valve

018200-40 Pre-Rinse Swivel

B-0109-01 6" Wall Bracket

3/16" [5mm] Maximum Thickness

3 11/16" [93mm]

3 7/16" [88mm]

14 3/16" [360mm]

2 3/8" [61mm]

Ø 2" [51mm] Flanges w/ 1/2" NPT Male Elbow Installation Kit

8" [203mm]
Adjustable From 7 3/4" to 8 1/4" [197mm to 210mm]

Quarter-Turn Cerama Cartridges w/ Check Valves & Lever Handles w/ Color Coded Indexes

Mounting Surface

Rough-In Requirement:
(2) Ø 1" [25mm] Mounting Holes

Product Specifications:

Pre-Rinse Unit: EasyInstall 8" Wall Mount Mixing Faucet, Quarter-Turn Cerama Cartridges w/ Check Valves, Lever Handles, 44" Flexible Stainless Steel Hose, 1.07 GPM Spray Valve w/ Swivel, 6" Wall Bracket, Accessory Fitting Tee & 1/2" NPT Male Elbow Installation Kit

Product Compliance:

ASME A112.18.1 / CSA B125.1
NSF 61 - Section 9
NSF 372 (Low Lead Content)
EPA Act 2005 (PRSV)
EPA WaterSense (PRSV)



T&S BRASS AND BRONZE WORKS, INC.

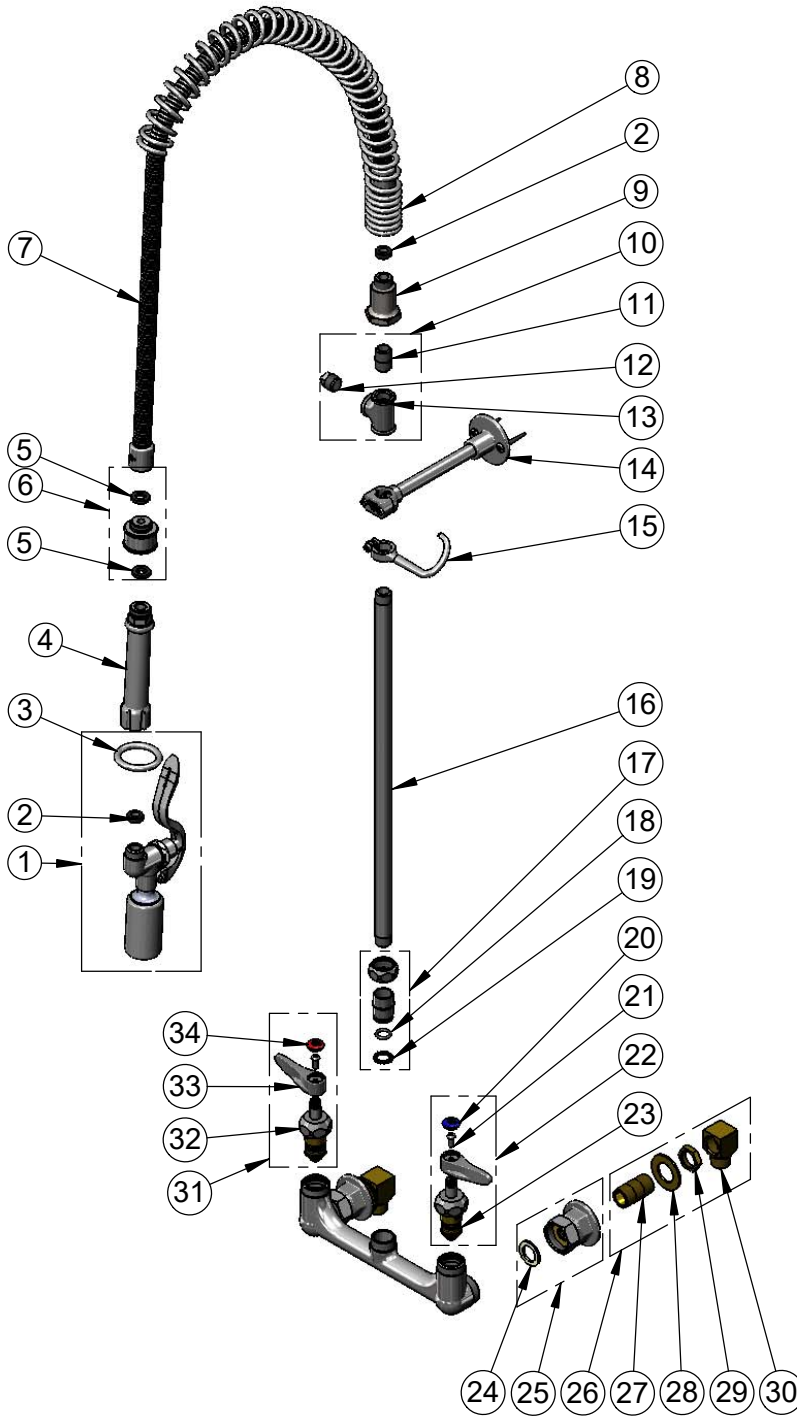
2 Saddleback Cove / P.O. Box 1088
Travelers Rest, SC 29690

Model No.

B-0133-CR-BJSTK

Item No.

Travelers Rest, SC: 800-476-4103 • Simi Valley, CA: 800-423-0150 • Fax: 864-834-3518 • www.tsbrass.com



ITEM NO.	SALES NO.	DESCRIPTION
1	B-0107-J	1.07 GPM Spray Valve
2	010476-45	#27 Washer
3	000907-45	Spray Valve Hold Down Ring
4	002987-40	Grip Handle
5	001014-45	Washer, B-0100 Hose Barrel
6	018200-40	Pre-Rinse Swivel
7	B-0044-H2A	44" Flexible Stainless Steel Hose, Less Handle
8	000888-45	EasyInstall Overhead Spring
9	000821-40	Spring Body
10	B-TEE-RGD	Rigid Tee
11	002535-25	3/8" Close Nipple
12	002369-25	3/8" NPT Plug
13	001614-40	3/8" NPT Tee
14	B-0109-01	6" Wall Bracket
15	004R	Finger Hook
16	000369-40	3/8" NPT x 18" Riser
17	EZ-K	EasyInstall Kit: Nut, Bushing, O-Ring & Lock Washer
18	001065-45	O-Ring
19	014200-45	Star Washer, Anti-Rotation
20	018506-19NS	Blue Button Index, Press-in
21	000925-45	Lab Handle Screw
22	012447-25NS	Quarter-Turn Cerama Cartridge, LTC w/ Check Valve, Handle, Index & Screw
23	012395-25NS	Quarter-Turn Cerama Cartridge, LTC w/ Check Valve
24	001019-45	Coupling Nut Washer
25	00AA	1/2" NPT Female Eccentric Flange
26	B-0230-K	Short Elbow Installation Kit
27	013357-20	1/2" NPT x 1-5/8" Lg. Close Nipple
28	000999-45	Brass Lock Washer
29	002954-45	Shank Lock Nut
30	B-1100-K	1/2" NPT Male Inlet Elbow
31	012446-25NS	Quarter-Turn Cerama Cartridge, RTC w/ Check Valve, Handle, Index & Screw
32	012394-25NS	Quarter-Turn Cerama Cartridge, RTC w/ Check Valve
33	001638-45NS	Lever Handle (New Style)
34	001193-19NS	Red Button Index, Press-in

Product Specifications:

Pre-Rinse Unit: EasyInstall 8" Wall Mount Mixing Faucet, Quarter-Turn Cerama Cartridges w/ Check Valves, Lever Handles, 44" Flexible Stainless Steel Hose, 1.07 GPM Spray Valve w/ Swivel, 6" Wall Bracket, Accessory Fitting Tee & 1/2" NPT Male Elbow Installation Kit

Product Compliance:

ASME A112.18.1 / CSA B125.1
NSF 61 - Section 9
NSF 372 (Low Lead Content)
EPA Act 2005 (PRSV)
EPA WaterSense (PRSV)