



T&S BRASS AND BRONZE WORKS, INC.
 2 Saddleback Cove / P.O. Box 1088
 Travelers Rest, SC 29690

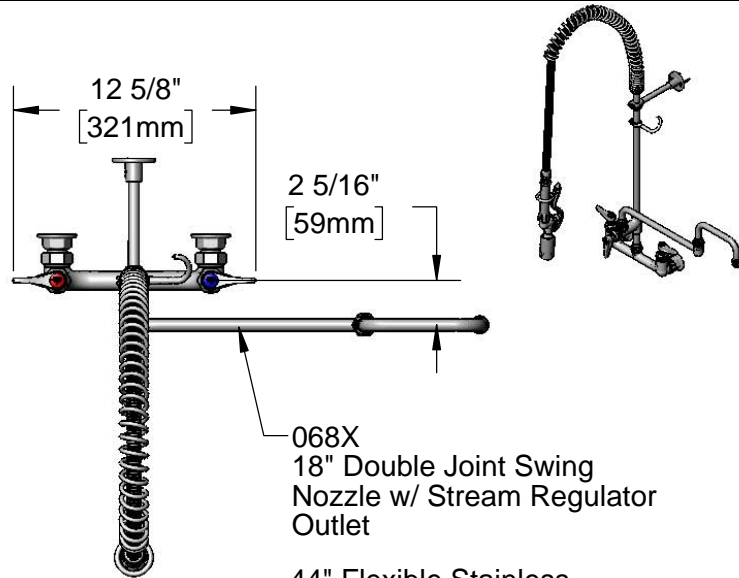
Model No.
B-0133-18DJCRBC

Item No.

Travelers Rest, SC: 800-476-4103 • Simi Valley, CA: 800-423-0150 • Fax: 864-834-3518 • www.tsbrass.com

This Space for Architect/Engineer Approval

Job Name _____ Date _____
 Model Specified _____ Quantity _____
 Customer/Wholesaler _____
 Contractor _____
 Architect/Engineer _____



068X
 18" Double Joint Swing
 Nozzle w/ Stream Regulator
 Outlet

44" Flexible Stainless
 Steel Hose w/ Spring
 & Spray Valve

Items Not Shown
 For Clarity

3/8" NPT x 18" Riser

Finger Hook

18" [457mm]

12" [305mm]

EasyInstall
 Lock Nut
 & Bushing

3 11/16" [93mm]

7 3/8" [188mm]

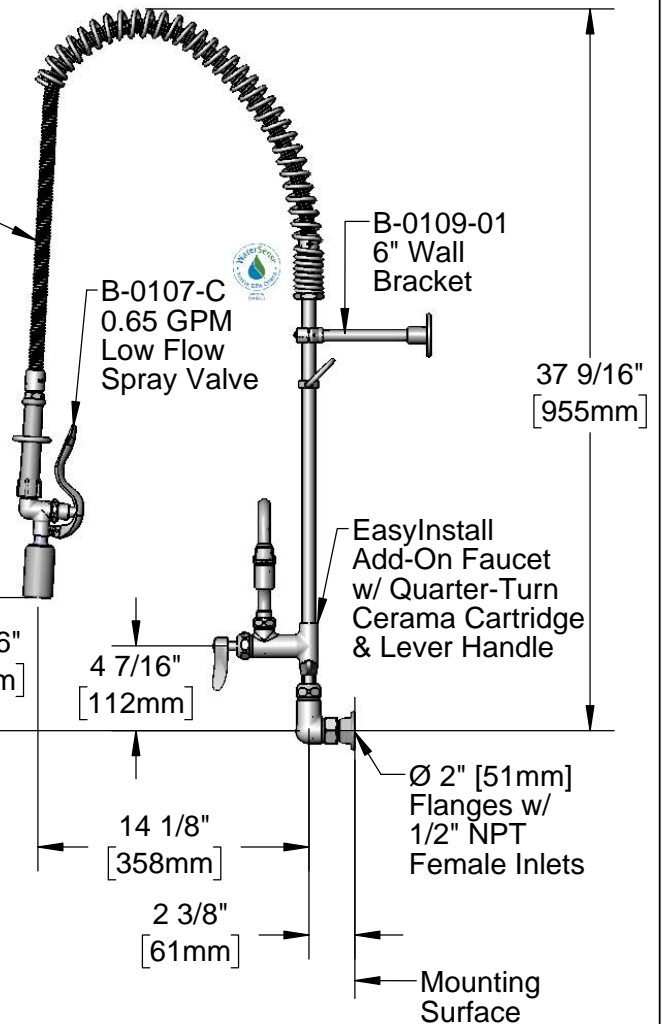
8 7/8" [226mm]

12 1/16" [307mm]

8" [203mm]

Adjustable From
 7 3/4" to 8 1/4"
 [197mm to 210mm]

Quarter-Turn Cerama Cartridges
 w/ Check Valves &
 Lever Handles w/
 Color Coded Indexes



B-0107-C
 0.65 GPM
 Low Flow
 Spray Valve

B-0109-01
 6" Wall
 Bracket

EasyInstall
 Add-On Faucet
 w/ Quarter-Turn
 Cerama Cartridge
 & Lever Handle

Ø 2" [51mm]
 Flanges w/
 1/2" NPT
 Female Inlets

Mounting
 Surface

Product Specifications:

Pre-Rinse Unit: EasyInstall 8" Wall Mount Mixing Faucet, Quarter-Turn Cerama Cartridges w/ Check Valves, Lever Handles, Add-On Faucet, 18" Double Joint Swing Nozzle, 44" Flexible Stainless Steel Hose, 0.65 GPM Low Flow Spray Valve, 6" Wall Bracket & 1/2" NPT Female Inlets

Product Compliance:

ASME A112.18.1 / CSA B125.1
 NSF 61 - Section 9
 NSF 372 (Low Lead Content)
 EPA Act 2005 (PRSV)
 EPA WaterSense (PRSV)



T&S BRASS AND BRONZE WORKS, INC.

2 Saddleback Cove / P.O. Box 1088
Travelers Rest, SC 29690

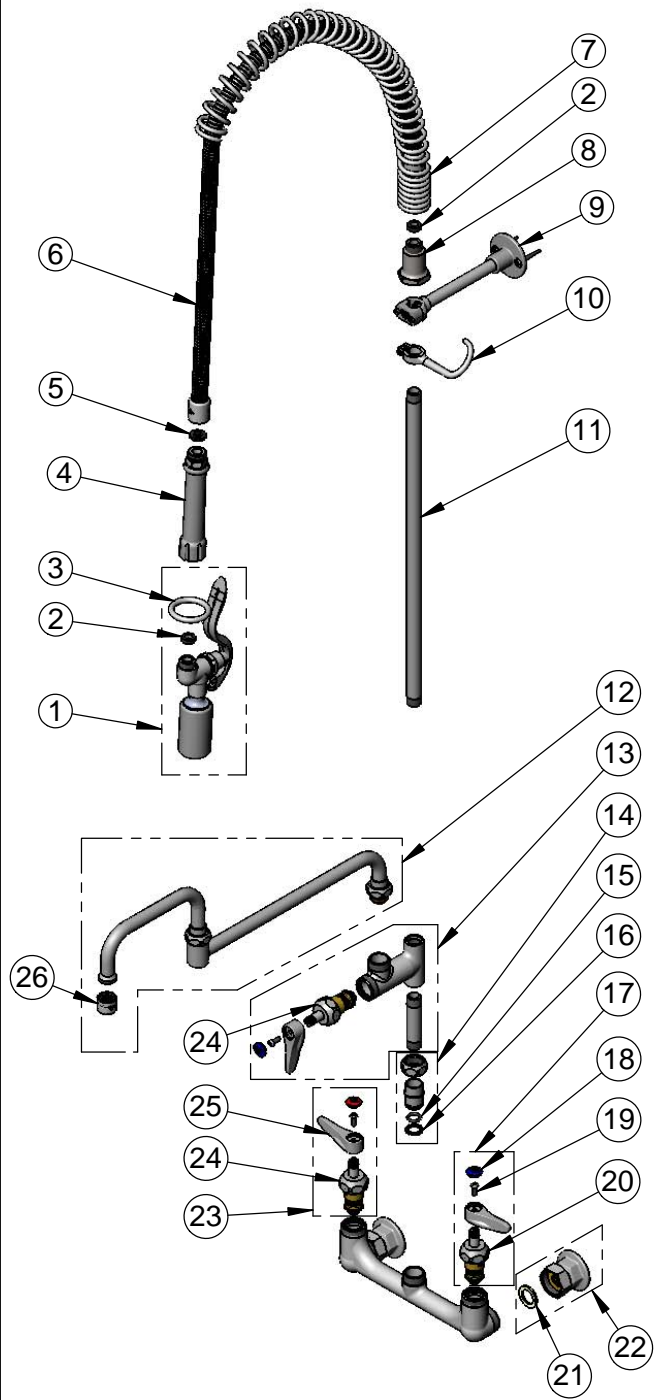
Model No.

B-0133-18DJCRBC

Item No.

Travelers Rest, SC: 800-476-4103 • Simi Valley, CA: 800-423-0150 • Fax: 864-834-3518 • www.tsbrass.com

ITEM NO.	SALES NO.	DESCRIPTION
1	B-0107-C	0.65 GPM Low Flow Spray Valve
2	010476-45	#27 Washer
3	000907-45	Spray Valve Hold Down Ring
4	002987-40	Grip Handle
5	001014-45	Washer, B-0100 Hose Barrel
6	B-0044-H2A	44" Flexible Stainless Steel Hose, Less Handle
7	000888-45	EasyInstall Overhead Spring
8	000821-40	Spring Body
9	B-0109-01	6" Wall Bracket
10	004R	Finger Hook
11	000369-40	3/8" NPT x 18" Riser
12	068X	18" Double Joint Swing Nozzle w/ Stream Regulator Outlet
13	B-0155-CR-LN	Add-On Faucet w/ Quarter-Turn Cerama Cartridge, RTC & Lever Hand, Less Nozzle
14	EZ-K	EasyInstall Kit: Nut, Bushing, O-Ring & Lock Washer
15	001065-45	O-ring
16	014200-45	Star Washer, Anti-Rotation
17	012447-25NS	Quarter-Turn Cerama Cartridge w/ Check Valve, Handle, Blue Index & Screw, LTC
18	018506-19NS	Blue Button Index, Press-in
19	000925-45	Lab Handle Screw
20	012395-25NS	Quarter-Turn Cerama Cartridge w/ Check Valve, LTC
21	001019-45	Coupling Nut Washer
22	00AA	1/2" NPT Female Eccentric Flange
23	012446-25NS	Quarter-Turn Cerama Cartridge w/ Check Valve, Handle, Red Index & Screw, RTC
24	012394-25NS	Quarter-Turn Cerama Cartridge w/ Check Valve, RTC
25	001638-45NS	Lever Handle (New Style)
26	B-PT	Full Flow Stream Regulator, 55/64-27



Product Specifications:
Pre-Rinse Unit: EasyInstall 8" Wall Mount Mixing Faucet, Quarter-Turn Cerama Cartridges w/ Check Valves, Lever Handles, Add-On Faucet, 18" Double Joint Swing Nozzle, 44" Flexible Stainless Steel Hose, 0.65 GPM Low Flow Spray Valve, 6" Wall Bracket & 1/2" NPT Female Inlets

Product Compliance:
ASME A112.18.1 / CSA B125.1
NSF 61 - Section 9
NSF 372 (Low Lead Content)
EPA Act 2005 (PRSV)
EPA WaterSense (PRSV)