



T&S BRASS AND BRONZE WORKS, INC.
 2 Saddleback Cove / P.O. Box 1088
 Travelers Rest, SC 29690

Model No.
000137-40

Item No.

Travelers Rest, SC: 800-476-4103 • Simi Valley, CA: 800-423-0150 • Fax: 864-834-3518 • www.tsbrass.com

This Space for Architect/Engineer Approval

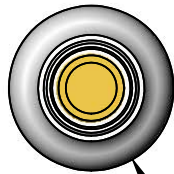
Job Name _____ Date _____

Model Specified _____ Quantity _____

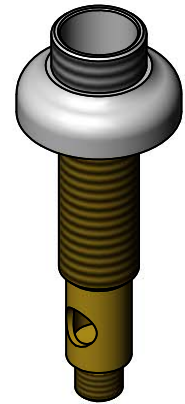
Customer/Wholesaler _____

Contractor _____

Architect/Engineer _____



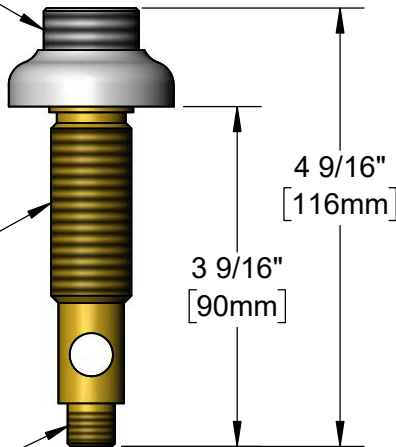
$\phi 1 \frac{3}{4}$ "
 [44mm]



1-20 UN
 Male Outlet

1/2" NPSL
 Male Thread

1/2-20 UN
 Male Thread



Product Specifications:
 Swivel Center Body w/ 3/8" NPT Outlet

Product Compliance:
 NSF 61 - Section 9
 NSF 372 (Low Lead Content)