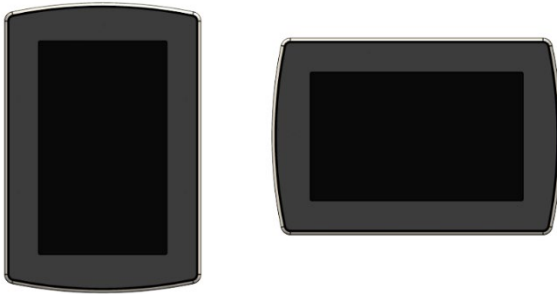


SPECIFICATIONS – Signature Control



Construction.....Brass
 Display.....5” Capacitive Touch screen
 Display Full Color.....16.7M
 Display resolution.....480 x 800
 Interface.....Single Touch

Signatouch Series operational features:

- **Digital Shower**
 - Operates flow, temperature, and output
- **Steam Shower**
 - Operates time, temperature, and auto powerflush
- **Light Sound and rainhead / Hydrovive**
 - Control linked Bluetooth device
 - Control moodlight, shower light, and chromatherapy.

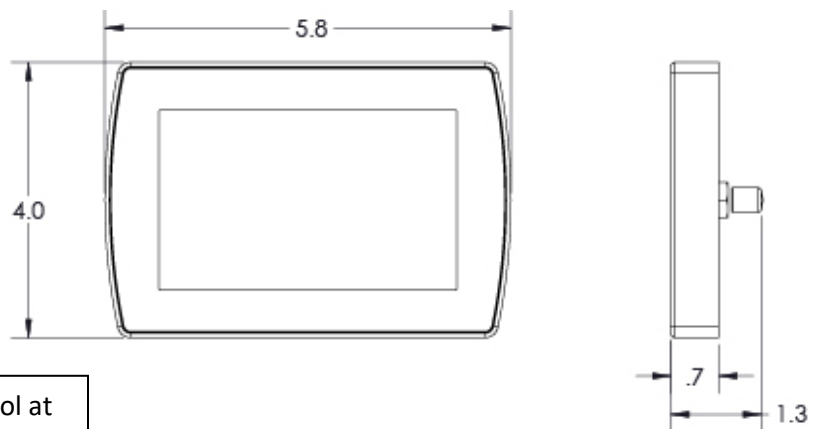
Signatouch Series features:

- Can be mounted vertically or horizontally
- 2 user settings
- 15 finishes

<p>Installation Notes: The control should be installed 60” inches from the floor of the shower, inside the shower only, and away from the steam head.</p>	<p>Finish Chart: Select desired finish and replace XXX with code.</p>	
	<p>PC = Polished Chrome SC = Satin Chrome PB = Polished Brass SB = Satin Brass AB = Antique Brass COP = Polished Copper ACOP = Antique Copper</p>	<p>PN = Polished Nickel SN = Satin Nickel BN = Black Nickel MB = Matte Black AN = Antique Nickel PG = Polished Gold ORB = Oil Rubbed Bronze WHT = White</p>

Product Specification:
 The user interface control shall be 5.8"x4.0"x.7" in dimension. The Control shall be made from 360 brass and includes the ability to operate and control: Smart Steam, Fast Start, Auto PowerFlush, Hydrovive, Light and Sound System. By using a networked digital technology.

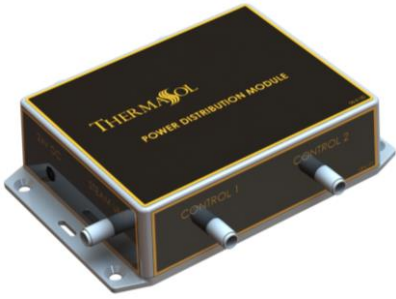
<p>Shipping Information:</p> <p>Weight.....1.25 lbs. Length.....9.5 in. Width.....6.5 in. Height.....2.5 in.</p>
--



For any further assistance please contact ThermaSol at 800.776.0711 or sales@thermasol.com
 Visit www.thermasol.com for a complete product definition

SPECIFICATIONS – POWER DISTRIBUTION MODULE

Construction..... ABS Plastic
 Power Supply UL Listed Class 2 & II, (03-7142)
 Internal Operating Voltage.....24V DC, 60 Watt



Basic Functions:

- Distributes DC Power and Digital signals to system modules:
- Serenity Light, Sound and Rainhead
- ThermaTouch or Signature Series Controls
- Solitude Wireless Module - SWM-2 (signal only)
- Steam Generator (signal only)

Installation Notes:

Overall size is approximately 5-3/4" long by 3-3/4" wide and 1-1/2" high. (Without connections) Allow space; 3" Min. for connections. Unit consists of a low voltage (24VDC) circuit board inside a box that can be placed up to 25 feet from the Light and Sound fixture or up to 50 feet from the Steam Generator. A separate universal voltage Power Adapter is provided (03-7142), it requires a standard 110V AC two prong wall outlet.

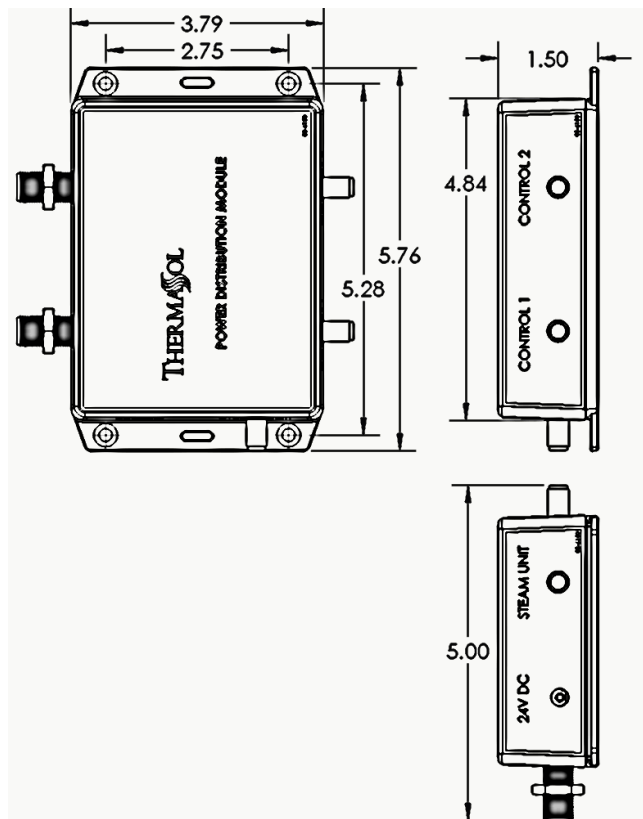
Product Specification:

5-3/4" L x 3-3/4" W x 1-1/2" H Body.
 This PDM requires a ThermaSol Steam Generator and/or Light and Sound System and separate power supply for proper operation.

For any further assistance please contact
 ThermaSol at 800.776.0711 or
sales@thermasol.com

Shipping Information:

Weight.....4 lbs.
 Length.....11 in.
 Width.....14 in.
 Height.....8 in.





DIGITAL SHOWER VALVE

TDS-3000

With a minimalist look desired by top architects, ThermaSol's Digital Shower eliminates the need for exposed valves and trims. The integrated system reduces installation costs and allows the budget to be invested into building a state-of-the-art shower environment.

FEATURES

- Industry leading ceramic disc Flühs valves ensures reliability and safety
- Operates two industrial grade stepper motors with 400 positions that take away the noise factor found with solenoid valve systems and provides precise temperature control
- May be installed up to 30 ft. away from shower
- Three output valve - Example: Rainhead, Hand Shower and Standard Showerhead
- Battery backup included
- Output 9.25 GPM at 45 PSI
- IAPMO Approved

SHIPPING WEIGHT

Weight | 10.65 lbs.

Length | 12 in.

Width | 16 in.

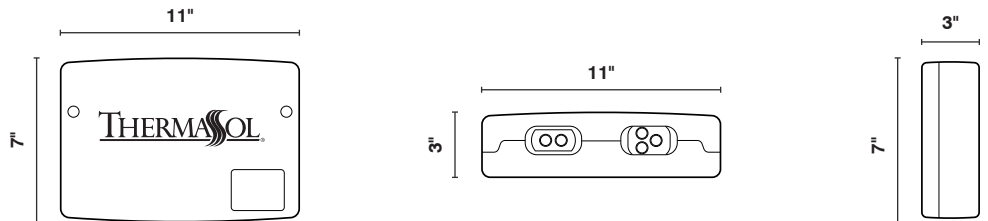
Height | 3.5 in.

SPECIFICATIONS

Two Inputs | 1/2" FNPT

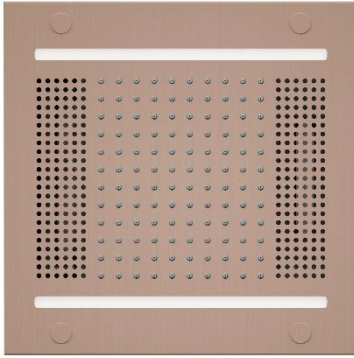
Three Outputs | 1/2" FNPT

Power Supply | Input 110VAC .5 AMP Output 15VDC, 3 AMPS Required



INSTALLATION NOTES

- Refer to ThermaSol installation Instructions Doc No. 81216 for complete instructions.
- Digital Shower Valve must be accessible do not seal into walls.



SPECIFICATIONS – Light and Sound Rain System

Construction.....Machined Brass
 Controllability.....ThermaTouch Series Controls
 Function Lights.....84 Full-color luminous LED
 Rainhead Water Supply.. 3/8” Compression, 40-80 PSI, 1.8GPM
 Water Jets.....120
 CEC Approved

Lighting

- 84 Full-color luminous LED (R,G,B,W)
- Color Changing “Mood Lighting”
- Preset Chromatherapy Chakras
- Custom user programmable “any color”

Audio

- Amplifier: 100Watt RMS, built in Digital Signal Processor
- Built-in Bluetooth v4.2
- 1” x 5” Full range dual driver speaker
- 1- 2” subwoofer module with tuned radiator

Installation Notes:

Overall size is 14.0” SQ x 14.0” tall and requires approx. 13.0” x 13.0” cutout in the shower ceiling. The unit is self-contained as one piece and extends into the ceiling space 8.0” plus plumbing connection clearance. Use a 3/8” compression fitting and a flexible potable waterline to connect to the Rainhead. Use only potable water and approved plumbing fittings for any shower connection. Refer to ThermaSol Installation Instructions for a full-sized template and detailed installation and operation instructions.

Finish Chart:

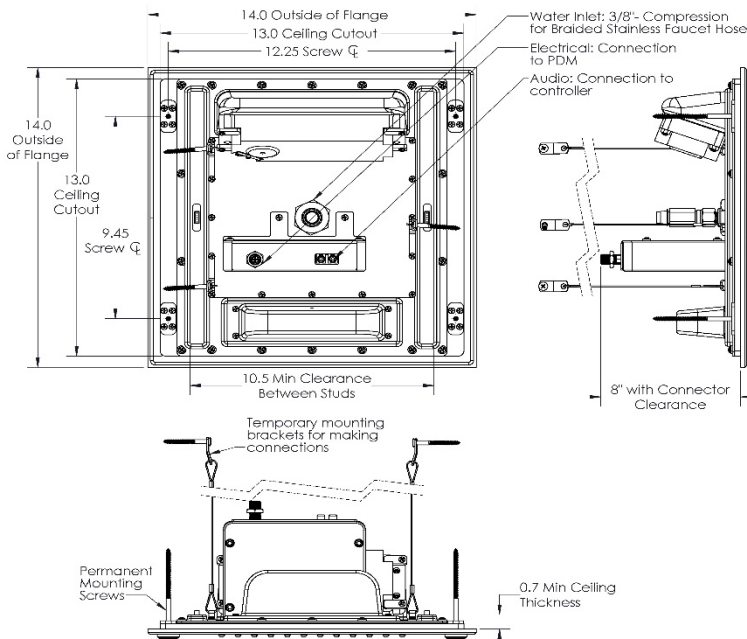
Select desired finish and replace XX with code.

PC = Polished Chrome
 SC = Satin Chrome
 PB = Polished Brass
 SB = Satin Brass
 AB = Antique Brass
 COP = Polished Copper
 ACOP = Antique Copper

PN = Polished Nickel
 SN = Satin Nickel
 BN = Black Nickel
 MB = Matte Black
 AN = Antique Nickel
 PG = Polished Gold
 ORB = Oil Rubbed Bronze
 WHT = White

Product Specification:

A self-contained, Light and Sound Rainhead module that creates high-intensity chromatherapy lights and sounds. Rainhead is rated at 1.8 GPM Max. at 80 PSI and requires a separate diverter port with shut off valve. Powered by: provided PDM power supply.



For any further assistance please contact ThermaSol at 800.776.0711 or sales@thermasol.com
 Visit www.thermasol.com for a complete product definition

Shipping Information:
 Weight..... 22 lbs.
 Length.....22 in.
 Width.....22 in.
 Height.....11 in.



SPECIFICATIONS – SteamVection Steam Head

Construction..... Brass
Aromatherapy..... Integral Reservoir

Installation Notes:

The steam head should be installed 24 inches from the floor, and 6 inches from any corner, inside the shower only, and as far away from the controller and shower fixtures as possible.

The steam head housing requires a 1-1/8" hole in the shower wall, and must be flush with the finished wall and sealed to the wall to not allow vapor or water behind it. Use 1/2" copper fittings to attach the housing to the steam outlet. See the full steam head housing instructions within your generator installation guide.

Product Specification:

The steam head shall be approximately 1.75" x 1.75" in the square version, and a 1.75" Dia. For the round version. The steam head is made from brass alloy and includes an aromatherapy well.

Finish Chart:

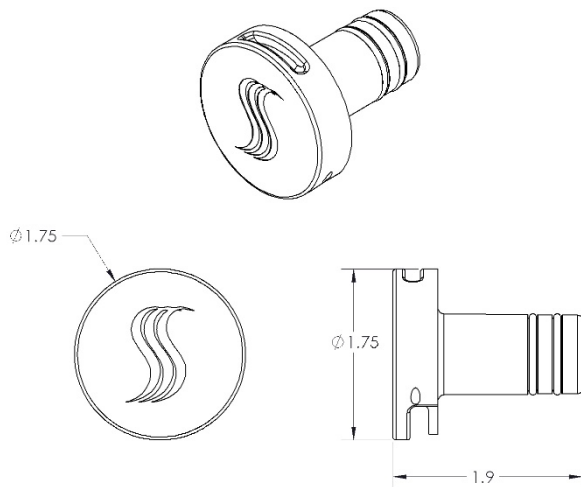
Select desired finish and replace XX with code. No-Touch Aromatherapy steam head and control finishes.

PC = Polished Chrome	PN = Polished Nickel
SC = Satin Chrome	SN = Satin Nickel
PB = Polished Brass	BN = Black Nickel
SB = Satin Brass	AN = Antique Nickel
AB = Antique Brass	PG = Polished Gold
COP = Polished Copper	ORB = Oil Rubbed Bronze
ACOP = Antique Copper	WHT = White
MB = Matte Black	

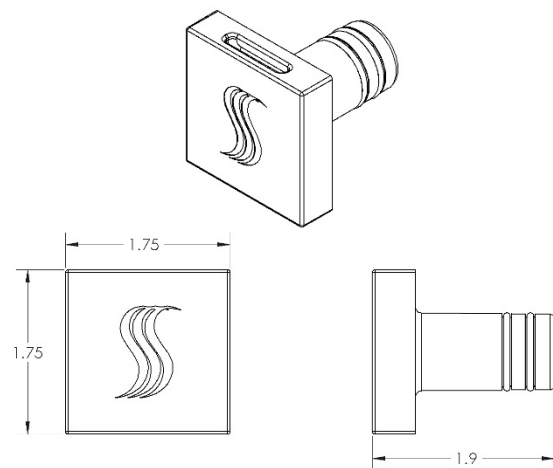
Shipping Information:

Weight..... 1 lbs.
Length.....9.5 in.
Width.....3.5 in.
Height.....2.5 in.

For any further assistance please contact
ThermaSol at 800.776.0711 or
sales@thermasol.com



Round Style



Square Style