

Drake® Two-Piece Toilet, 1.6 GPF

FEATURES

- TORNADO FLUSH® system, (1.6 GPF/6.0 LPF)
- CEFIONTECT® ceramic glaze minimizes waste from sticking to porous ceramic surfaces.
- Elongated front bowl and seat
- Chrome plated trip lever
- 12" Rough-in, supply line sold separately

MODELS

- MS776124CSG (#01)
With CEFIONTECT ceramic glaze & includes SS124 SoftClose® seat

COMPONENTS

- C776CEGT40
Elongated bowl with CEFIONTECT
- ST776SA
Tank and cover only
- SS124
SoftClose seat

OPTIONAL COMPONENTS

- THU808(#01, #03, #11, #12, #51, #PN, #BN, #RB)-A
Trip Lever - Cotton, Bone, Colonial White, Sedona Beige, Ebony, Polished Nickel, Brushed Nickel, Oil Rubbed Bronze)

COLORS/FINISHES

- #01 Cotton



TORNADO FLUSH



CEFIONTECT

PRODUCT SPECIFICATION

The two-piece high-efficiency Tornado Flush system toilet shall be 1.6 GPF/6.0 LPF. Toilet shall have CEFIONTECT ceramic glaze and be at Regular Height. Toilet shall have high-profile tank, elongated front bowl, SoftClose seat and Chrome trip lever. Toilet shall be TOTO Model MS776124CSG#01.

CODES/STANDARDS

- Meets and exceeds ASME A112.19.2/CSA B45.1
- Certifications: IAPMO(cUPC®)
- Code Compliance: UPC, IPC, NSPC, NPC Canada, and others



MS776124CS(G)

Drake® Two-Piece Toilet, 1.6 GPF

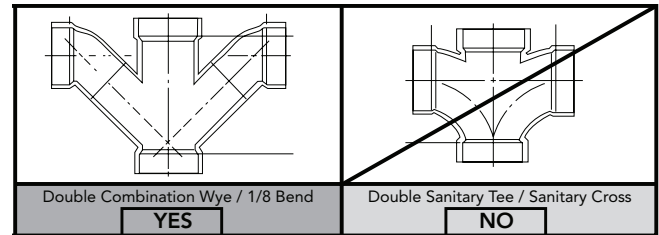
SPECIFICATIONS

Water Use	1.6 GPF (6.0 LPF)
Flush System	TORNADO FLUSH®
Min. Water Pressure	8 psi (Flowing)
Water Surface	9" x 6-7/8"
Trap Diameter	2-1/8"
Rough-in	12"
Trap Seal	2-1/8"
Warranty	One Year Limited Warranty
Material	Vitreous China
Shipping Weight	C776CEGT40 57 lbs. ST776SA 32 lbs.
Shipping Dimensions	C776CEGT40 29-3/4" L x 15" W1 x 10-5/8" W2 x 16-1/4" H ST776SA 18-3/4" L x 8-7/8" W x 16-1/4" H

INSTALLATION NOTES

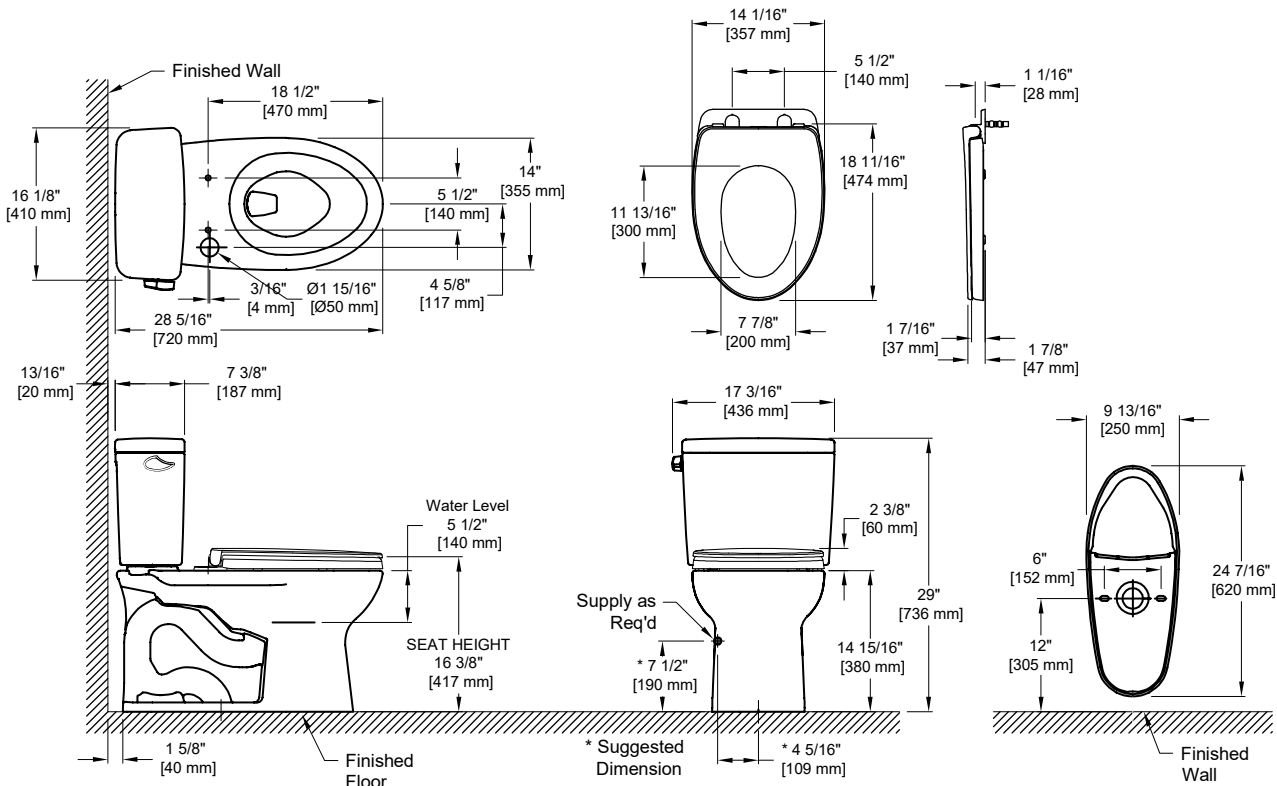
Back-to-Back Toilet Installations:

TOTO recommends the use of a nationally listed, double sanitary tee-wye only, in vertical waste stacks, in accordance with the stipulations noted in the majority of nationally recognized plumbing codes.



To maintain adequate wall gap between the back of the tank and wall, mount the floor flange at a nominal 12" rough-in distance.

DIMENSIONS



TOTO®

These dimensions and specifications are subject to change without notice