

PALMER INDUSTRIES

CUSTOM SINK LEG SOLUTIONS

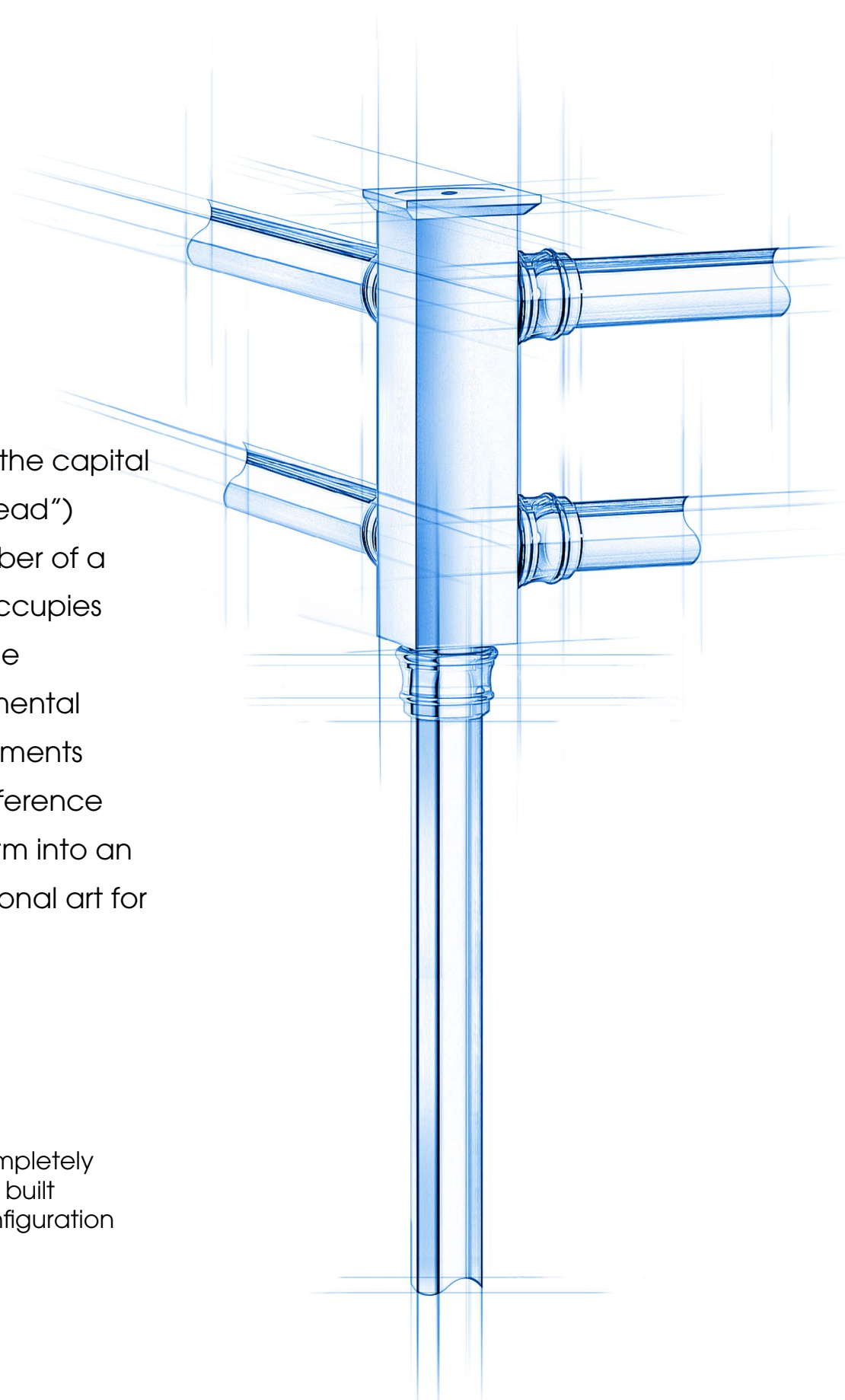


CAPITAL

MODEL LS2CAP

In Classical Architecture, the capital (from the Latin caput, "head") forms the crowning member of a column or pilaster, and occupies a prominent position in the ornamentation of monumental buildings. The refined elements of the Capital console reference historic form, and transform into an adaptable work of functional art for your bathroom.

Palmer Consoles are completely modular and custom built to any design and leg configuration



American Manufacturing



Providence, Rhode Island