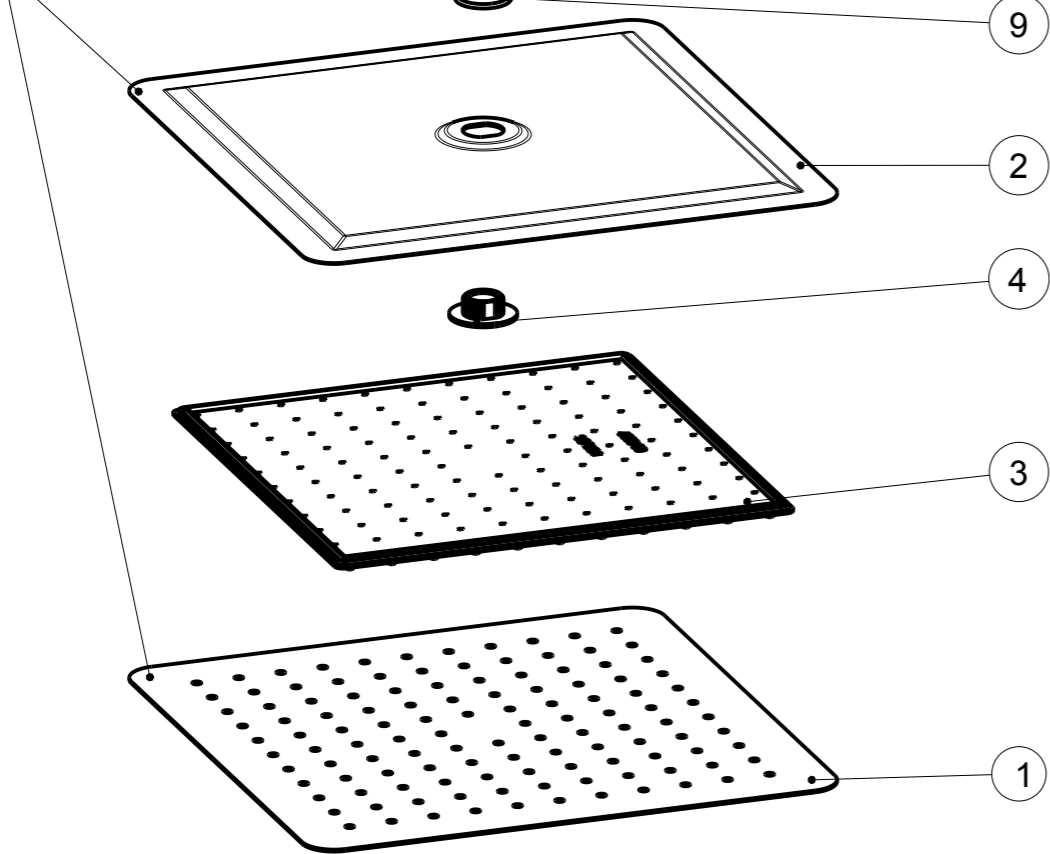


NIKLES CODE	N	COMPONENTS - VARIED	xy	FINISH SURFACE	***	COSTUMER REFERENCE
BPN250Q36-2.5/IA	NPT	13.1 - 14.1	05	CHROME	/IA	in plastic bag
BPN250Q36-2.5/IA	NPT	13.1 - 14.1	36	BRUSHED SS	/IA	in plastic bag
BPN250Q05-2.5N/US	NPT	13.2 - 14.1	05	CHROME	N/US	in Nikles box
BPN250Q36-2.5N/US	NPT	13.2 - 14.1	36	BRUSHED SS	N/US	in Nikles box
BPN250Q05-2.5B/US	NPT	13.1 - 14.1	05	CHROME	B/US	in white box
BPN250Q36-2.5B/US	NPT	13.1 - 14.1	36	BRUSHED SS	B/US	in white box

14.1	Logo CSA DOE 2.5 gpm	09 0146
14	Logo APPROVAL	
13.2	Logo NIKLES	09 0066
13.1	No Logo	09 0000
13	Logo COSTUMER	
POS.	DENOMINAZIONE / DESCRIPTION	DISEGNO / DRAWING

12	Rubber gasket	1	NBR	02 0104	99980038
11	Flow limiter 2.5 gpm	1	VARIO / VARIED	80 0384	BFL-D15-2.5
10	ORing \varnothing 18x3	1	NBR 7018	02 0007-001	99980027
9	ORing \varnothing 21x2	1	NBR 7018	02 0007-061	-
8	Bush for crown	1	BRASS (Hpb59-3)	03 1084	-
7	Crown	1	BRASS (Hpb59-3)	03 0301	VA370305
6	Ball Joint 1/2" NPT	1	BRASS (Hpb59-3)	03 0078	V125405NPT
5	Safety ring	1	POM (Hostaform C9021)	01 0141	V1251NPT
4	Insert cover	1	BRASS (Hpb59-3)	03 1083	-
3	Nozzle headshower 250x250	1	SILICON (SIL60H21)	02 0237	-
2	Cover headshower 250x250	1	STAINLESS STEEL (SUS304)	03 1088	-
1	Faceplate headshower 250x250	1	STAINLESS STEEL (SUS304)	03 1087	-
POS.	DENOMINAZIONE / DESCRIPTION	Q.ty	MATERIALE / MATERIAL	DISEGNO / DRAWING	CODICE / CODE


Saldati / Welded



03	Changed logo from cUPC to CSA	11/05/16	Beschi F.	70 0796.02
02	Added rubber gasket	17/03/15	Beschi F.	70 0796.01
N°	MODIFICA - MODIFICATION	Data - Date	Firma - Sign	Sostituisce - Replace

DENOMINAZIONE - DESCRIPTION	SPECIFICHE - NOTE
SHOWER HEAD PIANO Q250 2.5 GPM - US GENERAL	

DISEGNO DRAWING	70 0796.03.00.00	CODICE ITEM	BPN250Qxy-2.5***
-----------------	------------------	-------------	------------------

 NIKLES Z.I. Cornali via A. Volta n° 2 25013 Carpenedolo - BRESCIA Telefono 030-9698716 Fax 030-9966505 www.nikles.com	DISEGNATO DRAW	CONTROLLATO CHECK	PESO (g) WEIGHT (g)	...
	Data - Date	29/09/14	29/09/14	SCALA SCALE
DIR./FILE		70_0796_HEAD_PIANO_Q250_FR .drw		
UFFICIO TECNICO NIKLES TEC ITALIA USO RISERVATO CONFIDENZIALE VIETATA LA RIPRODUZIONE COPYRIGHT NIKLES TEC ITALIA				