

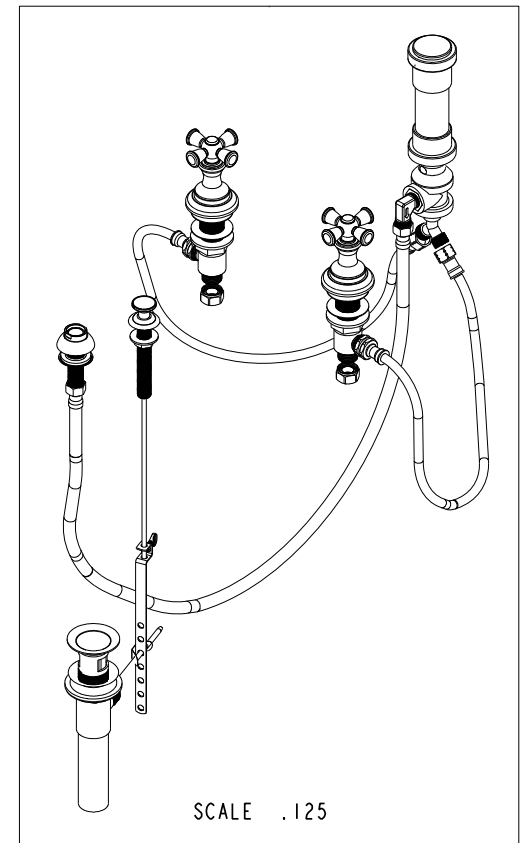
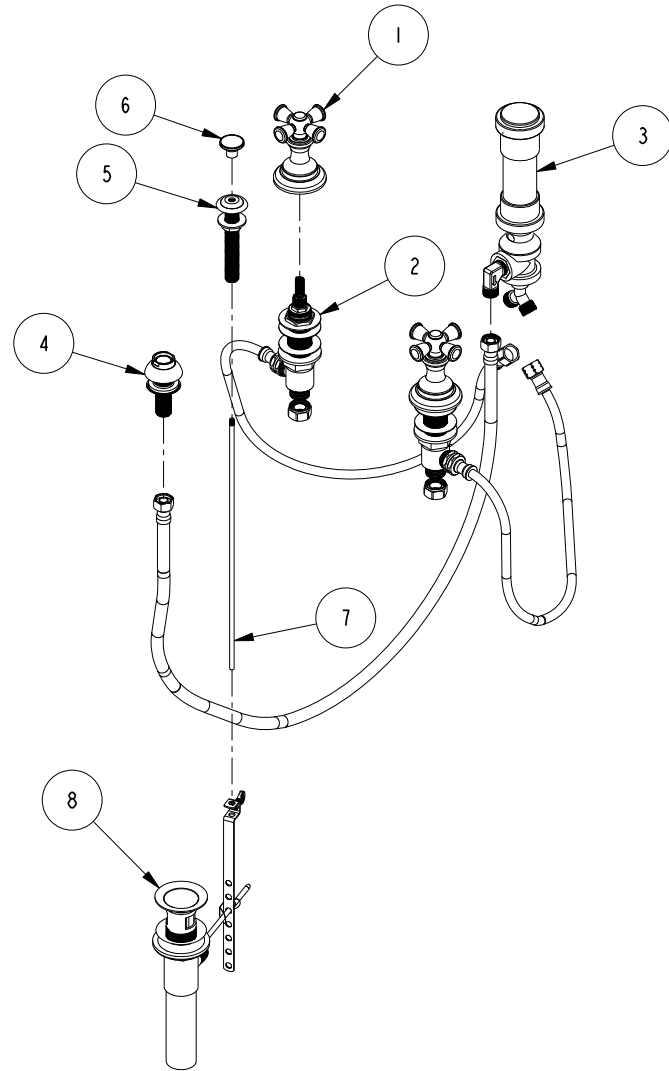
4

3

2

BILL OF MATERIAL (CURRENT LEVEL)

ITEM	PT/ASSY	DESCRIPTION	TYPE	QTY.
1	3-378	CROSS HANDLE ASM	ASSEMBLY	2
2	1-542	VALVE KIT - BIDET	ASSEMBLY	1
3	8-039	BIDET VACUUM BREAKER DIVERTER ASM	ASSEMBLY	1
4	2-236	DOUCHE SPRAY ASSEMBLY	ASSEMBLY	1
5	2-159	POP-UP ROD GUIDE ASSEMBLY	ASSEMBLY	1
6	11583	POP-UP KNOB	PART	1
7	10288	3/16" POP UP ROD	PART	1
8	325	POP UP ASSEMBLY	ASSEMBLY	1



COPYRIGHT 2005 BRASSTECH, INC. THESE DRAWINGS AND THE DESIGNS DEPICTED HEREIN ARE THE PROPRIETARY PROPERTY OF BRASSTECH. ANY USE OR REPRODUCTION IS SUBJECT TO THE EXPRESS APPROVAL OF BRASSTECH. UNAUTHORIZED USE IS STRICTLY PROHIBITED. ALL RIGHTS RESERVED.

BRASSTECH
 INCORPORATED
 2001 E. CARNEGIE AVE.
 SANTA ANA, CA 92705
 (949) 417-5207

BIDET SET CROSS HANDLE

ASSY. NO. 2449		-	-	-
SCALE .125	REF. -	SHEET 1 OF 3	REV	REV DESC
				DATE 05/20/10

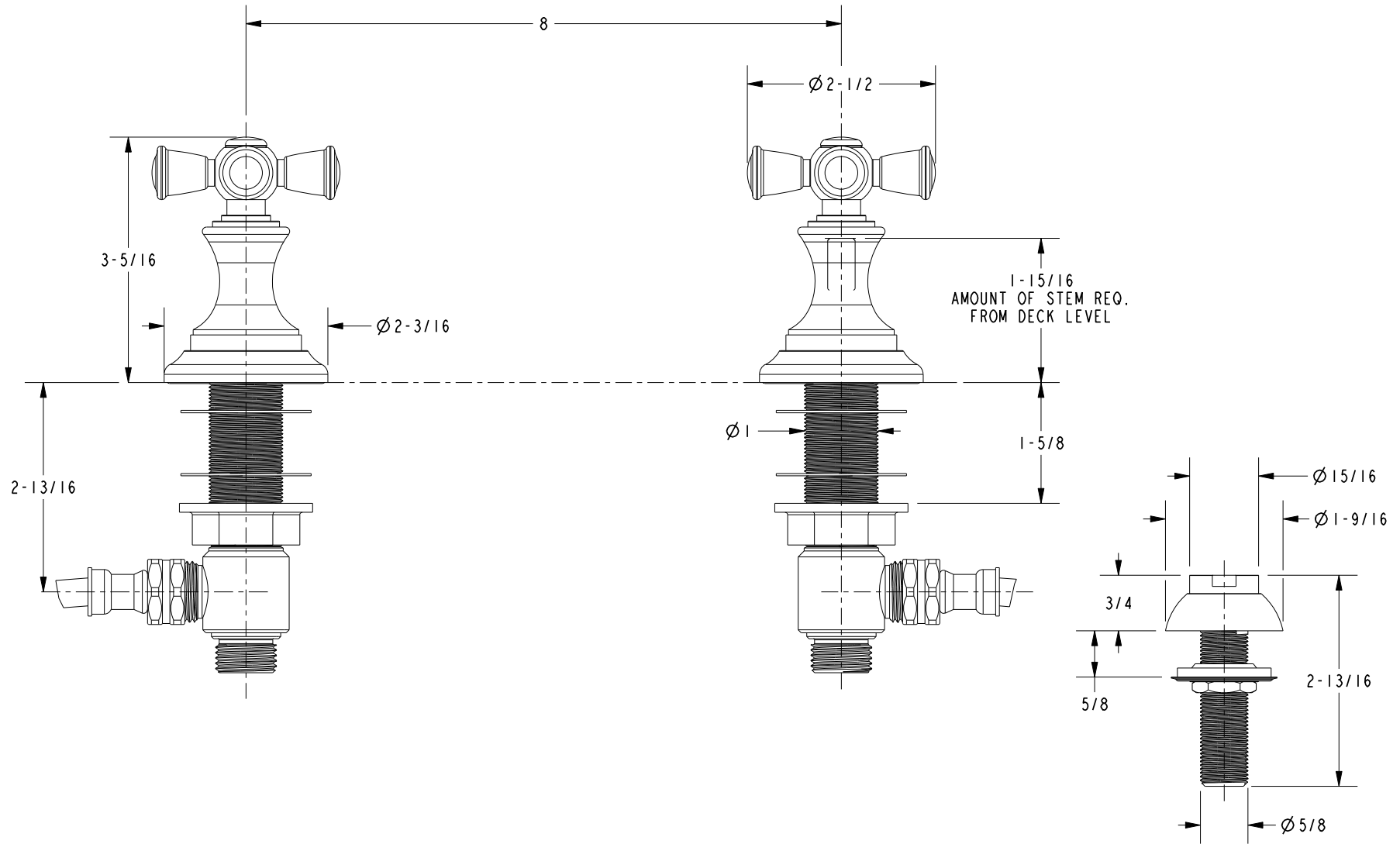
4

3

2

1

SPECIFICATION DWG

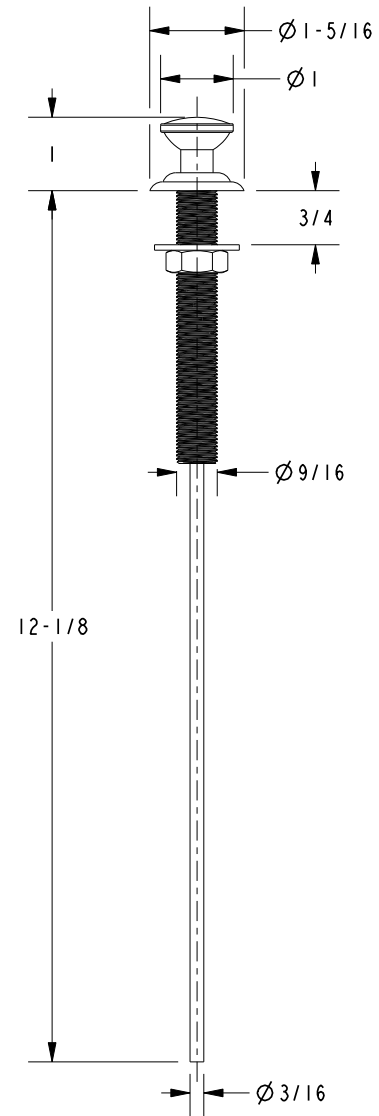
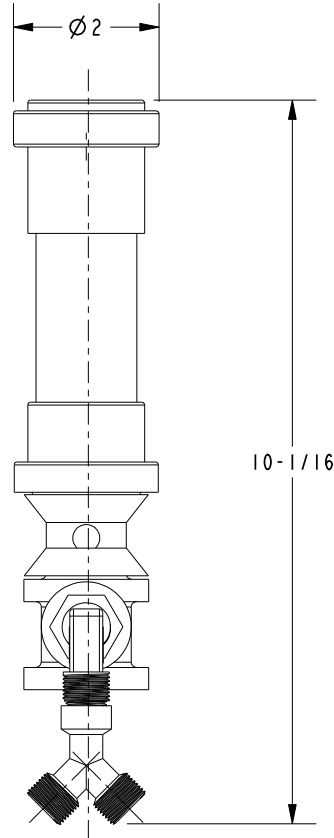
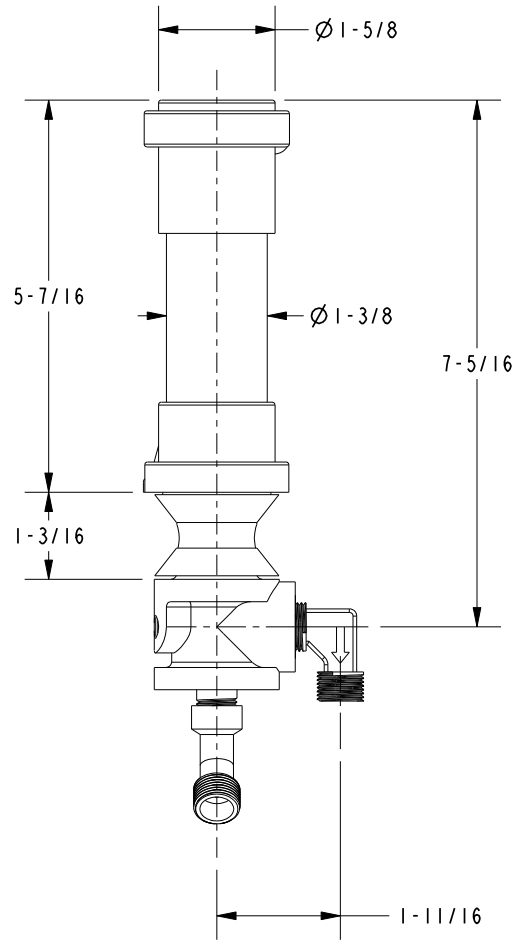


DIMENSIONS ARE IN INCHES AND AN APPROXIMATION OF A TYPICAL INSTALLATION

COPYRIGHT 2005 BRASSTECH, INC. THESE DRAWINGS AND THE DESIGNS DEPICTED HEREIN ARE THE PROPRIETARY PROPERTY OF BRASSTECH. ANY USE OR REPRODUCTION IS SUBJECT TO THE EXPRESS APPROVAL OF BRASSTECH. UNAUTHORIZED USE IS STRICTLY PROHIBITED. ALL RIGHTS RESERVED.

BRASSTECH		2001 E. CARNEGIE AVE.	
INCORPORATED		SANTA ANA, CA 92705	
		(949) 417-5207	
DWG NO.	2449	REV	-
SCALE	.500	REF.	-
		SHEET	2 OF 3

SPECIFICATION DWG



DIMENSIONS ARE IN INCHES AND AN APPROXIMATION OF A TYPICAL INSTALLATION

COPYRIGHT 2005 BRASSTECH, INC. THESE DRAWINGS AND THE DESIGNS DEPICTED HEREIN ARE THE PROPRIETARY PROPERTY OF BRASSTECH. ANY USE OR REPRODUCTION IS SUBJECT TO THE EXPRESS APPROVAL OF BRASSTECH. UNAUTHORIZED USE IS STRICTLY PROHIBITED. ALL RIGHTS RESERVED.

BRASSTECH		2001 E. CARNEGIE AVE.
INCORPORATED		SANTA ANA, CA 92705
		(949) 417-5207
DWG NO.	2449	REV -
SCALE .375	REF. -	SHEET 3 OF 3