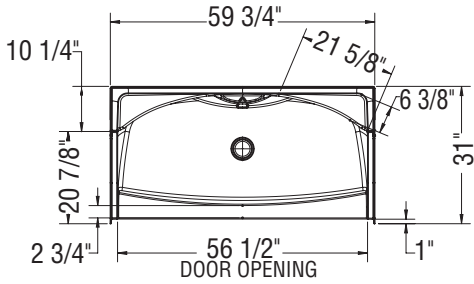
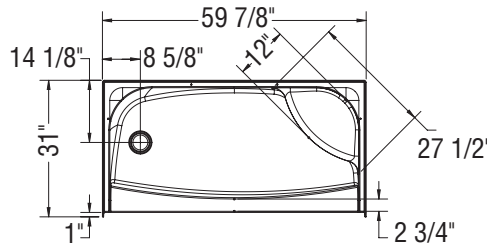


# STANDARD

NO SEAT

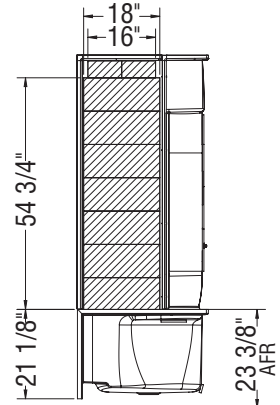


RIGHT SEAT SHOWN  
LEFT SEAT SYMMETRICAL

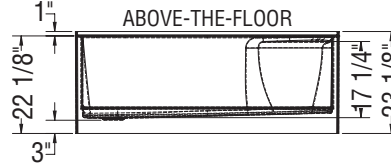
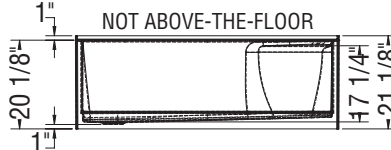
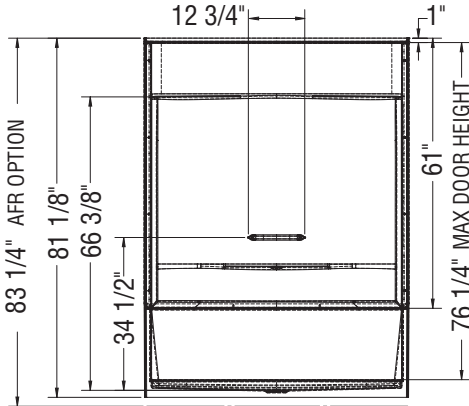
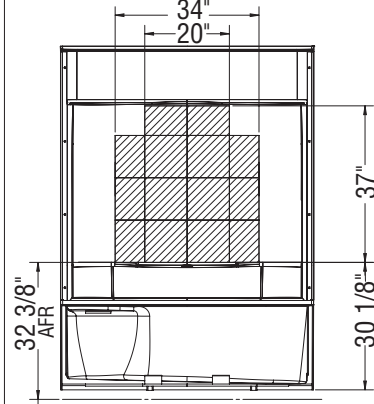


# REINFORCEMENT BACKING

OPTION 20212-R RIGHT WALL SHOWN  
OPTION 20212-L LEFT WALL SYMMETRICAL

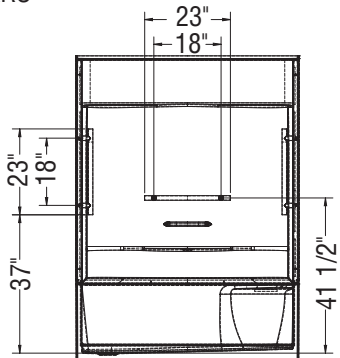


OPTION 20212-B BACK WALL

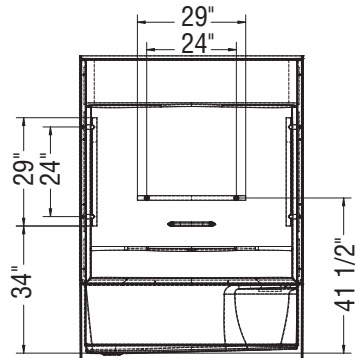


# GRAB BARS

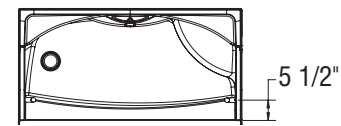
OPTION 20203



OPTION 20204



OPTION 20203-20204



All dimensions are approximate. Structure measurements must be verified against the unit to ensure proper fit.