



Buy it for looks. Buy it for life.®

Specifications

DESCRIPTION

- Component construction with various finishes identified by suffix
- Pressure balancing cycle valve design with an adjustable temperature limit stop
- 1/2" IPS connections
- Includes showerhead, tub spout, arm and flange

OPERATION

- Lever style handle
- Handle operates counterclockwise through a 270° arc with off at 6 o'clock and maximum hot at the 9 o'clock position. Shut off in clockwise direction
- Adjustable temperature limit stop to control maximum hot water temperature
- Pressure balancing mechanism maintains selected discharge temperature to $\pm 2^\circ$

FLOW

- Showerhead is limited to 1.75 gpm (6.6 L/min) maximum, at 80 psi

CARTRIDGE

- 1222 cartridge design
- Nonmetallic/nonferrous and stainless steel materials
- Accommodates back to back installations

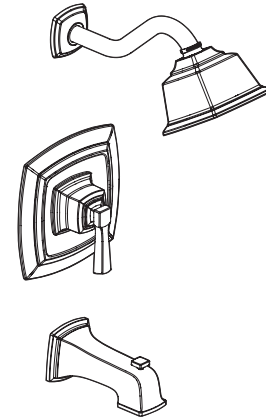
STANDARDS

- Third party certified to ASME A112.18.1/CSA B125.1 and all applicable requirements referenced therein
- ADA for lever handles
- Meets WaterSense® criteria

WARRANTY

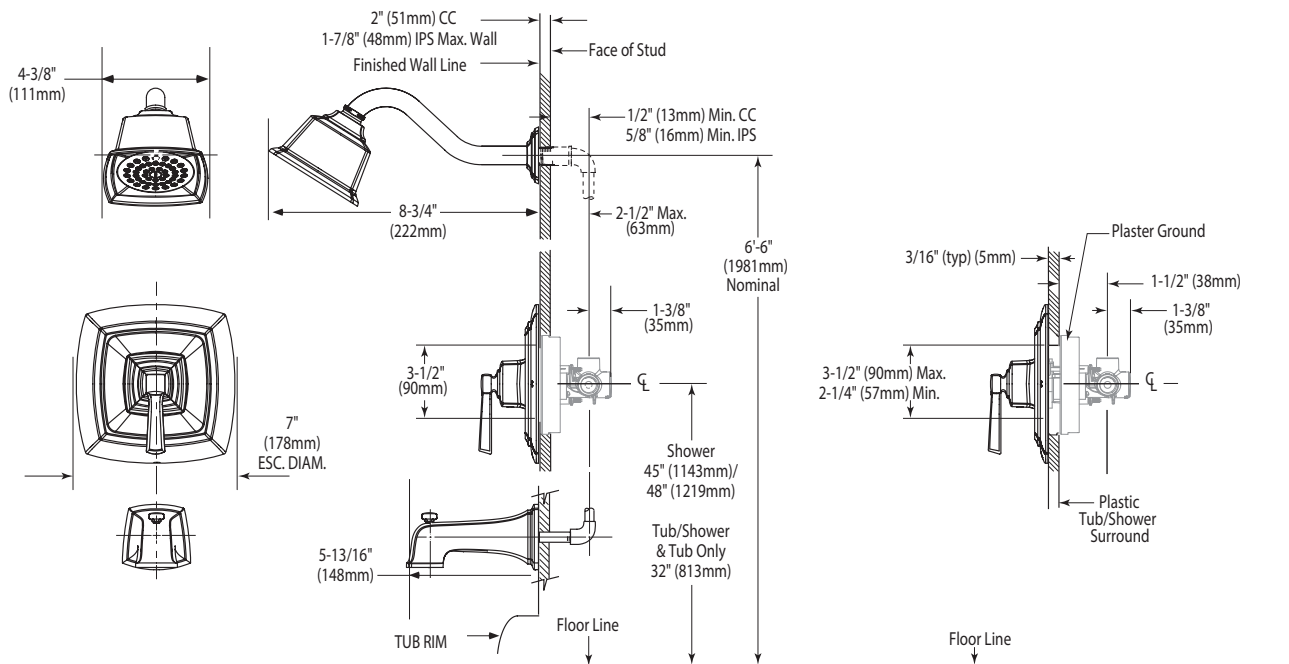
- Lifetime limited warranty against leaks, drips and finish defects to the original homeowner
- 10 year limited warranty when used in a multifamily installation
- 5 year limited warranty when used in a commercial installation

Visit www.moen.com/support for complete details and limitations



Boardwalk™ Single-Handle Tub/Shower Eco-Performance

Models: T2161EP Series - Valve Trim Only
T2162EP Series - Shower Trim Only
T2163EP Series - Tub/Shower Trim Only



CRITICAL DIMENSIONS

(DO NOT SCALE)