



Buy it for looks. Buy it for life.®

# Specifications

## DESCRIPTION

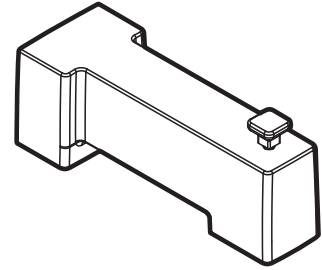
- Metal construction with various finishes identified by suffix
- Designed to be installed on a 1/2" pipe slip fit-CC connection

## STANDARDS

- Third party certified to meet ASME A112.18.1/ CSA B125.1 and all applicable requirements referenced therein

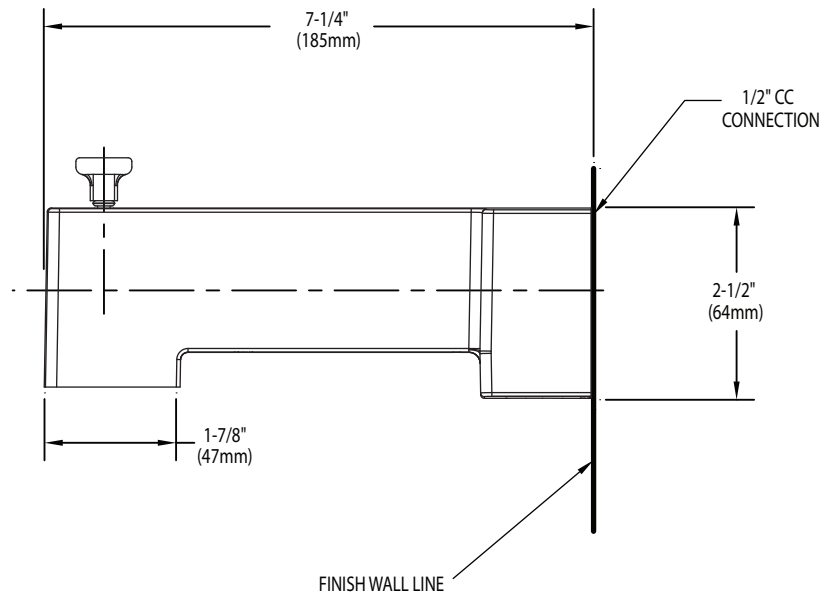
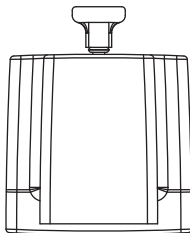
## WARRANTY

- Lifetime limited warranty against leaks, drips and finish defects to the original consumer
- 5 year warranty if used in commercial installations



## 90 DEGREE™ Diverter Tub Spout 1/2" Slip Fit

Model: S3896 series



## CRITICAL DIMENSIONS

(DO NOT SCALE)

FOR MORE INFORMATION CALL: 1-800-BUY-MOEN

[www.moen.com](http://www.moen.com)