

MASTER CHEF

PROFESSIONAL CULINARY

SINKS

Specifications

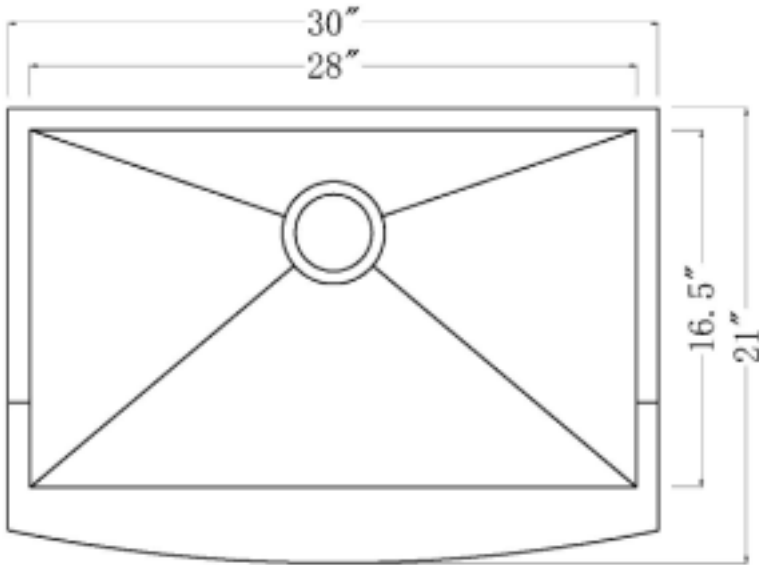
MARSEILLE 30

STAINLESS STEEL CULINARY SINK

Features:

Our Master Chef Series sinks are hand-forged with ultra-thick 15 gauge premium stainless steel. These sinks are crafted to perfection with restaurant gauge steel, large sound dampening pads, and bowls angled for superior water drainage.

- Stainless Steel Culinary Sink
- Bowed Apron Front Kitchen Sink
- SINGLE Bowl Bar/ Utility Sink
- Undermount Installation Only
- Premium 15 Gauge Thickness
- Smooth Brushed Finish
- Trough sink design
- High-End Sound Dampening Technology
- Square 90° angles on internal corners of sink basin
- * LIFE TIME WARRANTY



MARSEILLE 30	
Outside Dimensions	30" x 21"
Inside Dimensions	28" x 16.5"
Depth	10"
Apron	10"



MARSEILLE 30 | STAINLESS STEEL CULINARY SINK

CHARIOT PLUMBING SUPPLY AND DESIGN • 698 W 2090 S • Salt Lake City, UT 84119

(801)746-0418

Sales@Chariotwholesale.com

www.Chariotwholesale.com