

Master Chef

PROFESSIONAL CULINARY SINKS

Specification Sheet

Master Chef Moncuret

Our Master Chef kitchen sinks are excellent quality and sturdy construction. This sink collection is the perfect combination of quality, durability and convenience. Made from durable stainless steel, this sink can easily stand up to constant use and handle your toughest kitchen tasks. These sinks are crafted to perfection with restaurant gauge steel, large sound dampening pads, and bowls angled for superior water drainage.

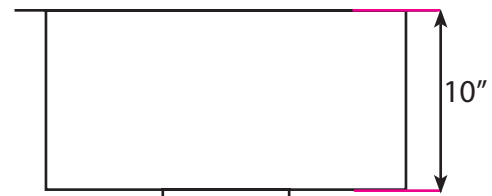
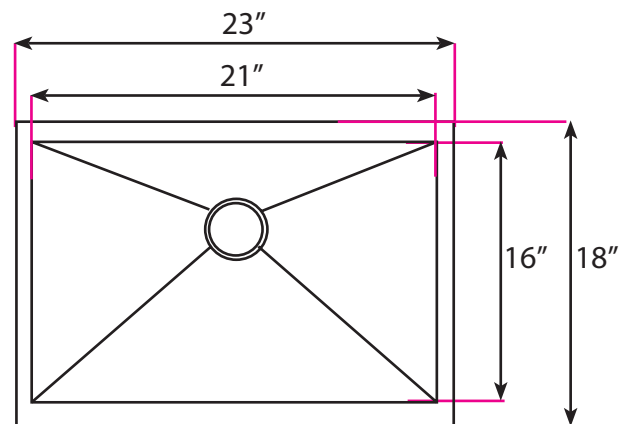
Features

- Stainless Steel | Smoothed Brushed Finish
- 15 Gauge
- Large Single Bowl
- Undermount Installation
- Scratch-resistant commercial-grade

DESIGN TIP: SQUARE 90° ANGLES ON INTERNAL CORNERS OF SINK BASIN

Dimensions:

Outside	23" x 18"
Inside	21" x 16"
Depth	10"



ADDRESS: 698 W. 2090 S. Salt Lake City, UT 84119
TEL: 801-746-0418 | FAX: 801-975-1082
EMAIL: sales@chariotwholesale.com