

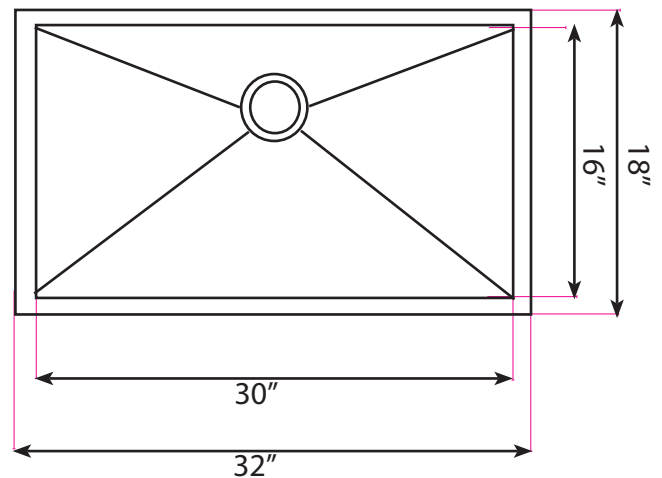
Master Chef Bayonne ADA

Our Master Chef kitchen sinks are excellent quality and sturdy construction. This sink collection is the perfect combination of quality, durability and convenience. Made from durable stainless steel, this sink can easily stand up to constant use and handle your toughest kitchen tasks. These sinks are crafted to perfection with restaurant gauge steel, large sound dampening pads, and bowls angled for superior water drainage.

Features

- ➔ Stainless Steel | Smoothed Brushed Finish
- ➔ 15 Gauge
- ➔ Single Bowl
- ➔ Undermount Installation
- ➔ Scratch-resistant commercial-grade

INSTALLATION TIP: SQUARE 90° ANGLES ON INTERNAL CORNERS OF SINK BASIN



Dimensions:

Outside	30" x 18"
Inside	28" x 16"
Depth	5 1/2"