

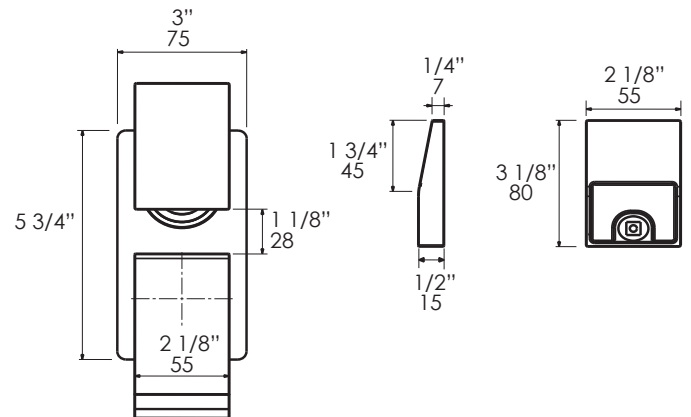
Specifications:

Installation:	Wall-mount tub filler with one lever handle
Exterior Dimensions:	H: 5 3/4" W: 3" SPOUT: 7 3/8"
Material:	Solid brass construction
Water use:	5 GPM (60 PSI)
Finish:	CR - polished chrome
Weight:	7.5 lbs



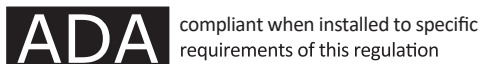
Features:

- Wall-mount tub filler with one lever handle on the top and a backplate
- Brass construction with single ceramic disc cartridge
- Includes rough-in and trim



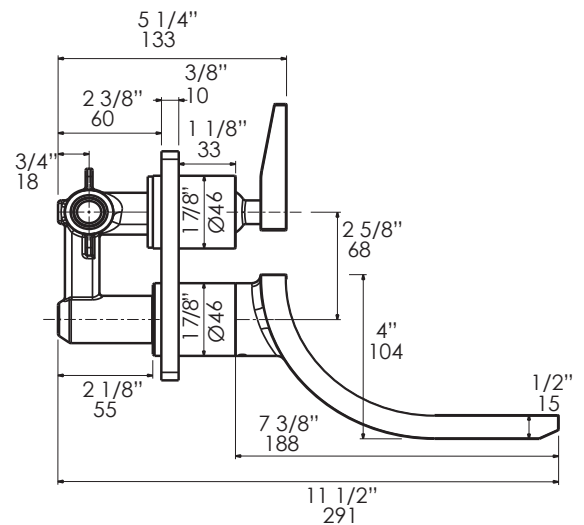
Codes + Standards:

- Meets and exceeds applicable national codes and standards



Recommended Items:

- Replacement parts:
 - R6010 - ceramic disc cartridge



LACAVA reserves the right to revise any dimension or information on this sheet without notice. Dimensions are nominal and may vary within an industry accepted tolerance of 1/4". Drawings provided herein are meant to give the user an idea of the product and are not made to scale. Location of plumbing is meant for reference, your specific application may vary.

Revised: 09/24/2020