

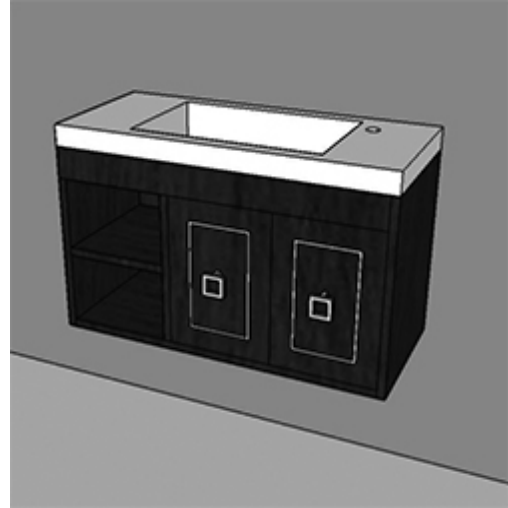
## DIMINI Vanity Item #5273C

### Features:

- Wall-mount wooden vanity
- Open cubby on the left with adjustable shelf
- Two doors on the right with optional metal inlay
- Wooden mounting cleat
- Washbasins #5273 sold separately
- Handmade in USA
- Manufactured with low VOC finishes and wood from renewable forests

### Recommended Accessories:

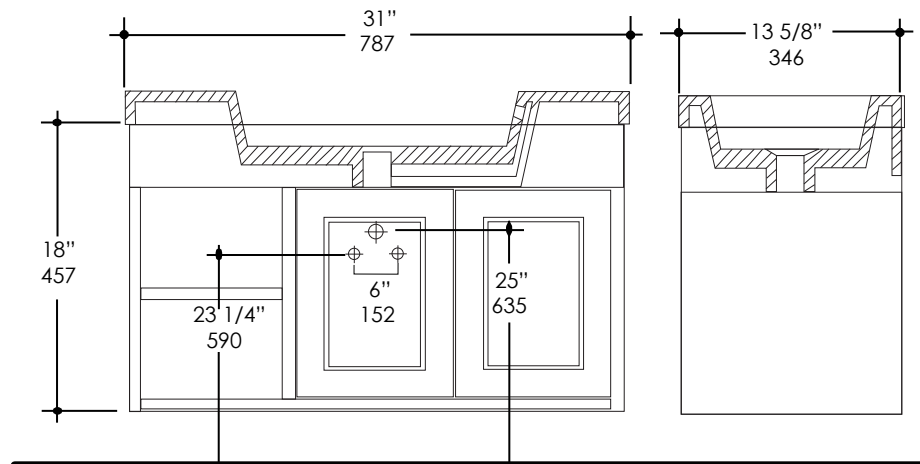
- Item #5273: Vanity top or self-rimming porcelain lavatory with an overflow
  - Faucet hole options:
    - 00-no faucet holes
    - 01-one faucet hole on the right
  - Available finish:
    - (-001) White
- Item #TR2: Metal Inlay
  - Finish options:
    - (10) polished stainless steel
    - (21) brushed stainless steel
    - (51) brushed brass



### Product Specifications:

### Finish Options:

- 02 - Natural Cherry
- 06 - Wenge
- 07 - Natural Walnut
- 08 - Matte White (TEX1 - fine texture)
- 16 - Matte Black (TEX1 - fine texture)
- 18 - Ebony
- 20 - Ash Gray
- 22 - Gray Zebra
- 24 - Classic Walnut
- 31 - White Oak
- 33 - African Mahogany
- 34 - Matte Mocha (TEX1 - fine texture)
- 35 - Matte Ardesia (TEX1 - fine texture)
- 36 - Espresso
- 37 - Weathered Oak
- 52 - Silver Oak
- 85 - Gloss White
- 86 - Gloss Black
- 87 - Gloss Mocha
- 88 - Gloss Ardesia



### Notes:

Drawings provided herein are meant to give the user an idea of the product and are not made to scale. The size in inches is rounded up to the nearest 1/16". Slight variances can often occur with porcelain and woodwork. Therefore, LACAVA will not be held responsible for any cutouts, countertops, or furniture made without the actual product or template from LACAVA. Differences in color, grain, appearance and texture are inherent in all natural woodwork, and should be expected. Variances in these qualities are not deemed manufacturing defects, and will not be accepted as valid reasons to return or exchange any LACAVA woodwork. Plumbing specifications are only a guideline and may need to be altered based on the application.

LACAVA is committed to the highest level of customer service. Please feel free to contact us at 1-888-522-2827 (toll free) or by email at [info@lacava.com](mailto:info@lacava.com) for technical assistance or any general inquiries.