

# KGD-433B

## 33 Inch Dual Mount Double Bowl Granite Kitchen Sink

# Kräus<sup>®</sup>

SPECIFICATION SHEET

### Sink Dimensions

Overall Dimensions: 33" x 22"

Bowl Dimensions: 14 1/4" x 15 1/2"

Bowl Depth: 9 1/2"

### Features

- Granite Composite Construction
- Dual Mount Double Bowl Sink
- 50/50 Split
- Required Minimum Cabinet Size: 36" Left to Right, 24" Front to Back
- Rear Center-Set Drains
- 3 1/2" Drain Openings

### Accessories Included

- Basket Strainer BST-2
- Strainer ST-2
- Mounting Hardware
- Cut-out Template
- Towel

### CODES/STANDARDS:

#### Product Certification

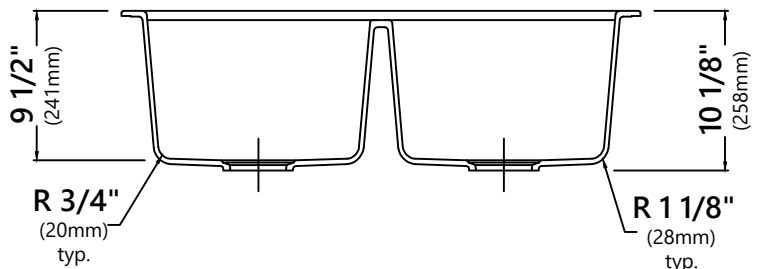
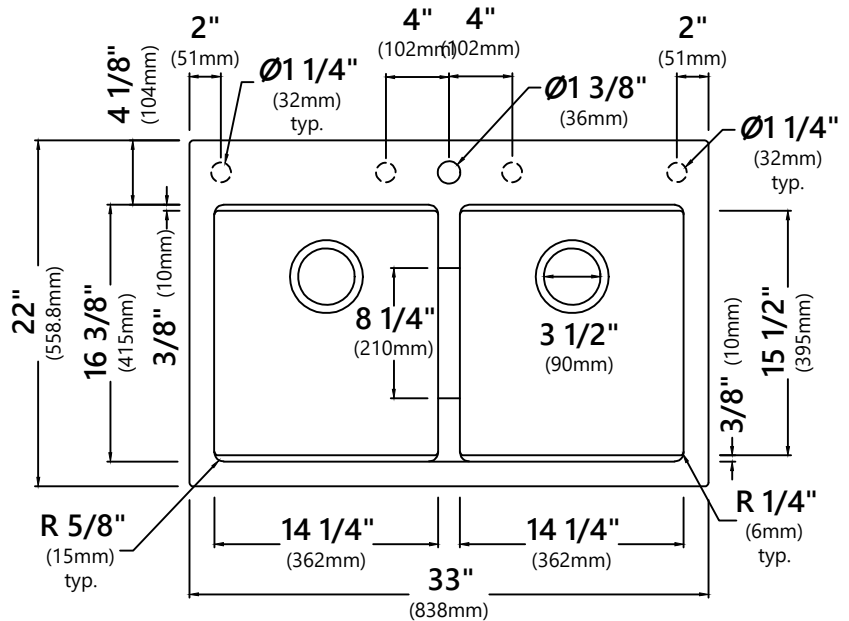
CSA B45.5/IAPMO Z124

**Note:** Although Kraus granite and quartz composite sinks are highly heat resistant, placing hot items right from the stove or oven directly into the sink may cause surface discoloration. Consider using a trivet or rolling mat for extremely hot items to avoid potential heat damage.

### Warranty

Kraus Limited Lifetime Warranty

see website for details [www.kraususa.com](http://www.kraususa.com)



## ST-2

### Stainless Steel Kitchen Sink Strainer

#### Strainer Dimensions

Overall Dimensions:  $\text{Ø}4\ 1/2"$  x  $3\ 3/4"$

#### Features

- Premium Stainless Steel construction
- Fits Standard  $3\ 1/2"$  or  $4"$  Drain Opening
- Open/Close Stopper Prevents Debris from Clogging Drain Pipe

#### Available Finishes

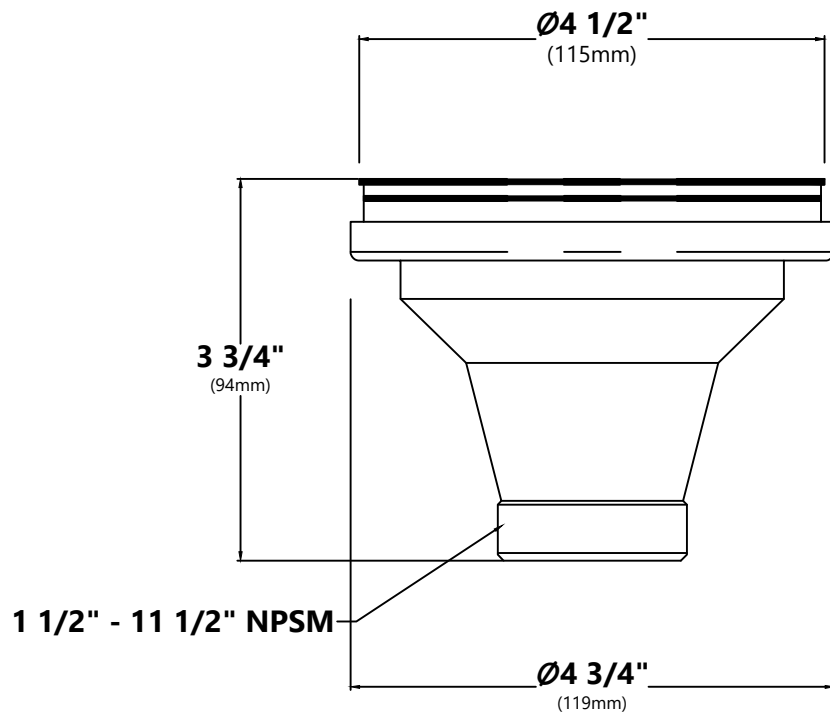
- Stainless Steel



#### Warranty

Kraus 1 Year Limited Warranty

see website for details [www.kraususa.com](http://www.kraususa.com)



## BST-2

### Stainless Steel Basket Strainer

---

#### Basket Strainer Dimensions

Overall Dimensions: 4 1/2" x 4 1/2"

#### Features

- Premium Stainless Steel Construction
- Fits Standard 3 1/2" or 4" Drain Openings
- Removable Basket Prevents Debris from Clogging Drain Pipe



#### Warranty

Kraus 1 Year Limited Warranty

see website for details [www.kraususa.com](http://www.kraususa.com)

