

Features

- Single lever handle allows for both on/off activation and temperature setting.
- KOHLER ceramic disc valves exceed industry longevity standards for a lifetime of durable performance.
- Includes Artifacts® single-function handshower and a 60" (1524 mm) hose.
- 8 gal/min (30.3 l/min) maximum flow rate [max at 45 psi (3.1 bar)]
- 1.75 gpm (6.6 lpm) flow rate for handshower.
- Coordinates with Artifacts faucets, accessories and showering components to complete your bathroom.
- Requires K-97339 mounting-block (sold separately).

Material

- Premium metal construction for durability and reliability.
- KOHLER finishes resist corrosion and tarnishing.

Installation

- Floor-mount.
- Compatibility with bathtub varies by application.

Required Products/Accessories

K-97339 Mounting Block for floor-mount bath fillers

Recommended Products/Accessories

K-23723 Faucet cleaner
 K-72567 18" Towel Bar
 K-72568 24" Towel Bar
 K-72570 24" Double Towel Bar
 K-72571 Towel Ring
 K-72572 Robe Hook
 K-72573 Pivoting toilet paper holder
 K-72576 Toilet paper carriage

Included Components

Additional Components:
 72776



Codes/Standards

ASME A112.18.1/CSA B125.1
 DOE - Energy Policy Act 1992
 EPA WaterSense®
 California Energy Commission (CEC)

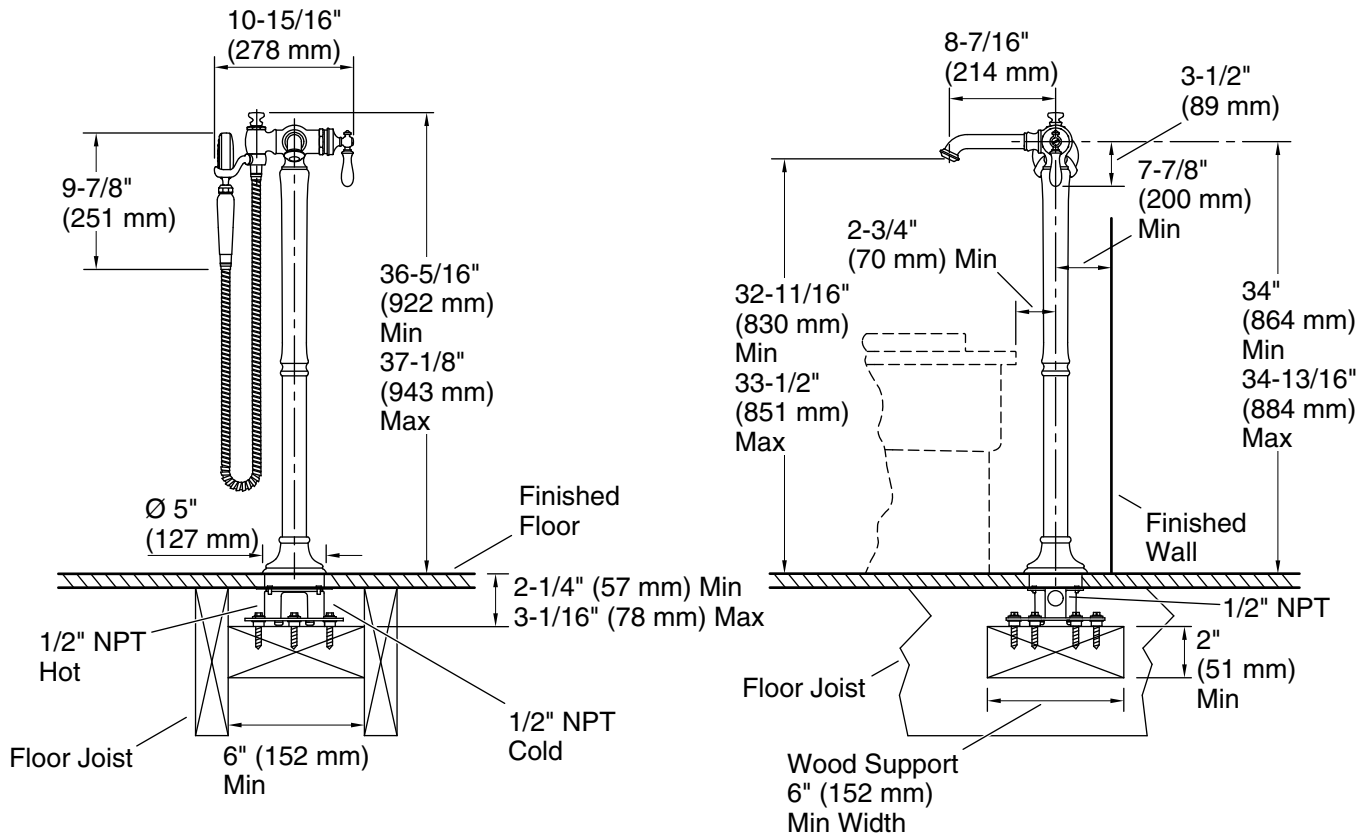
KOHLER® Faucet Lifetime Limited Warranty

See website for detailed warranty information.

Available Colors/Finishes

Color tiles intended for reference only.

Color	Code	Description
	CP	Polished Chrome
	SN	Vibrant® Polished Nickel
	BN	Vibrant® Brushed Nickel
	BV	Vibrant® Brushed Bronze
	2BZ	Oil-Rubbed Bronze
	2MB	Vibrant® Brushed Moderne Brass



Technical Information

All product dimensions are nominal.

Faucet:

Flow rate: 8 gal/min (30.3 l/min)

Pressure: 45 psi (3.1 bar)

Valve body: Composite

Drain included: No

Spout:

Spout reach: 8-7/16" (214 mm)

Handshower:

Rated maximum flow: 1.75 gal/min (6.6 l/min)

Pressure: 80 psi (5.5 bar)

Notes

Install this product according to the installation instructions.

Adequate floor support is required. The wood support must be a minimum of 2" (51 mm) thick by 6" (152 mm) wide. 2x6 lumber is NOT adequate for this application.

Concrete can be used as the floor support. Requires 3/16" masonry drill bit and six 1/4" x 1-3/4" concrete screws, not included.