

### Features

- Molded lumbar support offers extra comfort while bathing.
- Slotted overflow allows for deep soaking.

### Material

- Acrylic

### Installation

- Drop-in or under-mount.

### Additional Hydrotherapy Options

- Soaking Bath - 1130-0
- Soaking Bath + Bask heated surface - 1130-W1
- BubbleMassage air bath - 1168-G
- BubbleMassage air bath + chromatherapy - 1168-GCR
- VibrAcoustic + BubbleMassage air bath - 1168-GVB
- VibrAcoustic + BubbleMassage air bath + Bask heated surface + chromatherapy - 1168-GVBCW
- Whirlpool + heater - 1168-H2
- VibrAcoustic - 1168-VB
- VibrAcoustic + chromatherapy - 1168-VBC
- VibrAcoustic + chromatherapy + Bask heated surface - 1168-VBCW
- VibrAcoustic + Bask heated surface - 1168-VBW
- Whirlpool + BubbleMassage air bath - 1168-XH2G

### Required Products/Accessories

K-7271 Brass Slotted Overflow Bath Drain

or

K-7272 PVC Slotted Overflow Bath Drain

### Recommended Products/Accessories

K-590 5' under-mount installation kit

K-24916 Wireless Music Kit

K-1601 Bath/Whirlpool Footstop

K-1177 Vinyl Tiling-in Bead



### Codes/Standards

CSA B45.5/IAPMO Z124

ASTM E162









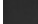
ASTM E662

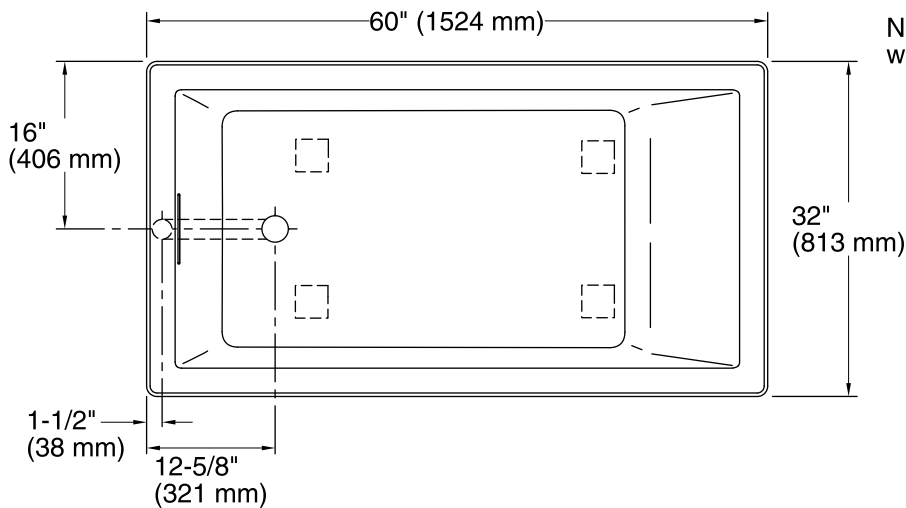
### KOHLER® Plastic Baths and Receptors Lifetime Limited Warranty

See website for detailed warranty information.

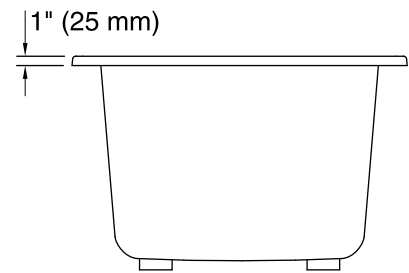
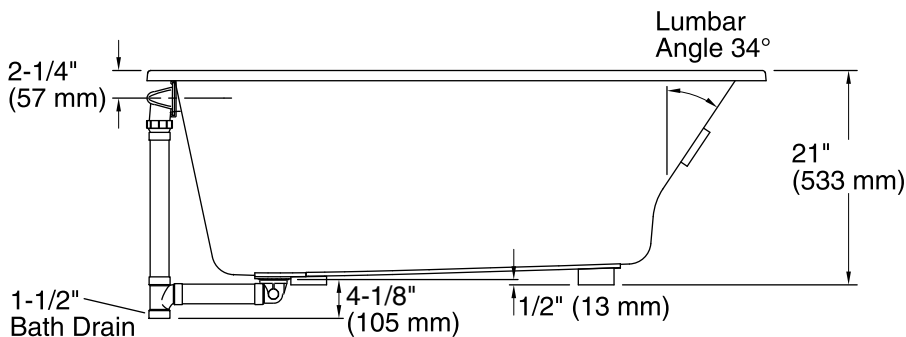
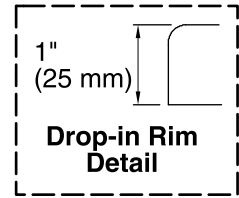
### Available Colors/Finishes

*Color tiles intended for reference only.*

Color	Code	Description
	0	White
	96	Biscuit
	47	Almond
	NY	Dune
	95	Ice™ Grey
	G9	Sandbar
	K4	Cashmere
	58	Thunder™ Grey
	7	Black Black™



No change in measurements if connected with drain illustrated. (K-7272)



### Technical Information

All product dimensions are nominal.

Installation:	Drop-in, Under-mount
Drain location:	End
Basin area, bottom:	42" x 23-1/2" (1067 mm x 597 mm)
Basin area, top:	55-1/8" x 27-1/8" (1400 mm x 689 mm)
Weight:	75 lbs (34 kg)
Minimum floor load:	58 lbs/ft <sup>2</sup> (283.2 kg/m <sup>2</sup> )
Water depth:	17-1/8" (435 mm)
Water capacity:	81 gal (306.6 L)
Cutout:	Drop-in, 59-1/2" x 31-1/2" (1511 mm x 800 mm)
Minimum flat for door:	2-3/8" (60 mm)

### Notes

Measure your actual product for rough-in details. Install this product according to the installation instructions. The hot water supply should be 70% of the capacity of the bath or greater. Installations will vary. Kit is required for under-mount installations (sold separately).