

Features

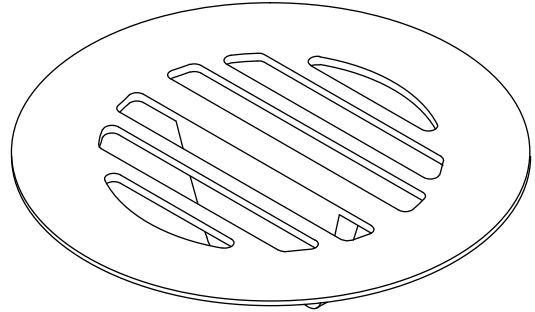
- Cast brass construction
- Intended for Camerton™ service sink installations

Codes/Standards Applicable

Specified model meets or exceeds the following:

- ASME A112.18.2/CSA B125.2
- IAPMO/cUPC

LOOSE SINK STRAINER K-13864



Colors/Finishes

- CP: Polished Chrome

Specified Model

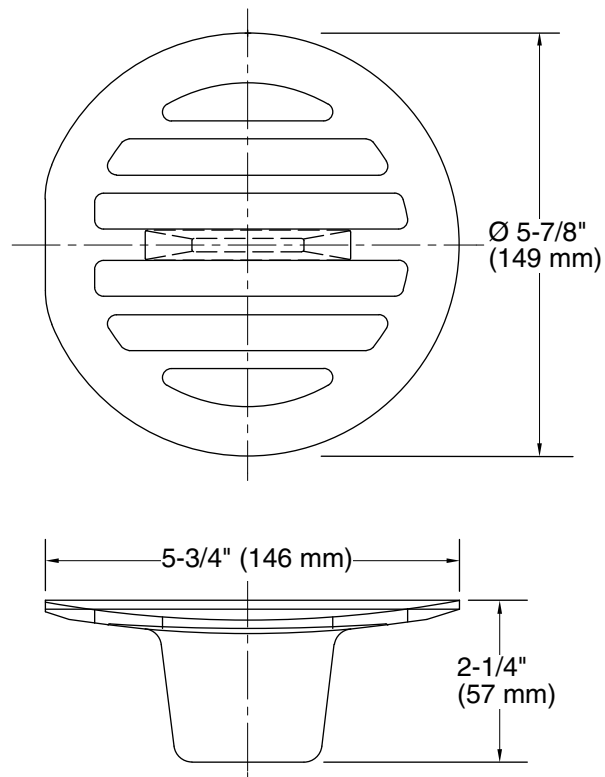
Model	Description	Colors/Finishes
K-13864	Loose sink strainer	<input type="checkbox"/> CP

Product Specification

Loose sink strainer shall be of cast brass construction. Product is intended for Camerton service sink installations. Product shall be Kohler Model K-13864-CP.

Installation Notes

Install this product according to the installation guide.



Product Diagram