

Features

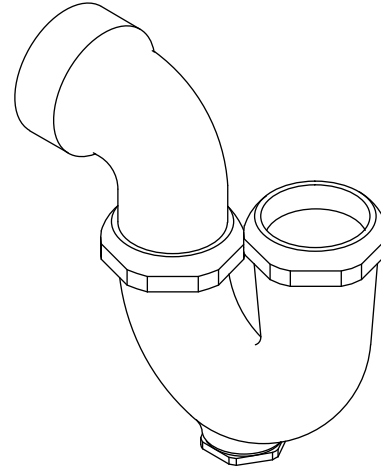
- Cast brass construction
- Adjustable rotation on outlet tube
- Slip-joint inlet
- Cleanout plug

Codes/Standards Applicable

Specified model meets or exceeds the following:

- ASME A112.18.2/CSA B125.2

P-TRAP
K-8995
ALSO K-8996



Colors/Finishes

- CP: Polished Chrome

Specified Model

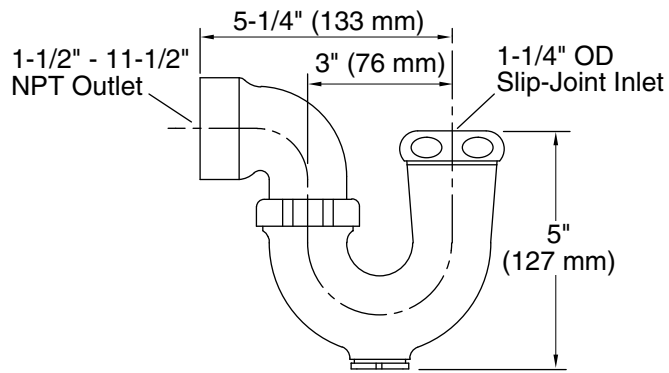
Model	Description	Colors/Finishes
K-8995	P-trap with 1-1/4" OD inlet and 1-1/2" NPT outlet	<input type="checkbox"/> CP
K-8996	P-trap with 1-1/2" OD inlet and 1-1/2" NPT outlet	<input type="checkbox"/> CP

Product Specification

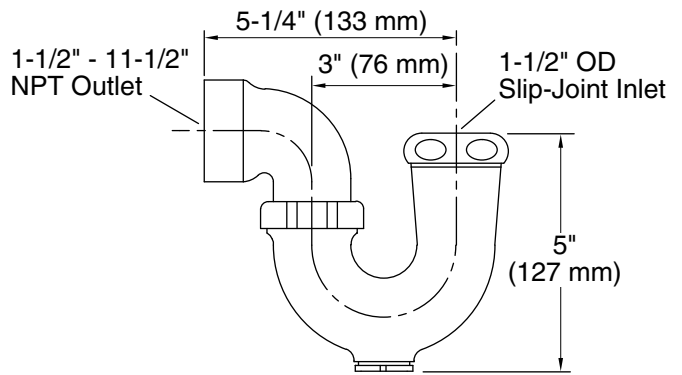
P-trap shall be of cast brass construction. Adjustable P-trap shall feature cleanout plug and slip-joint inlet. Product shall be Kohler Model K-_____-CP.

Installation Notes

Install this product according to the installation guide.



K-8995



K-8996

Product Diagram