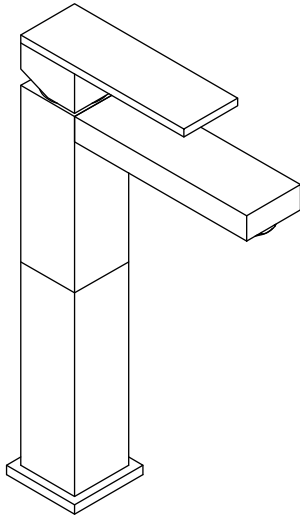


160.1700 | Vessel Faucet



SPECIFICATIONS:

- Solid Brass construction
- Single Hole Installation
- 1.5 GPM Flow Rate @ 60 PSI (1.2 GPM For California)
- Ceramic disc cartridge allows both volume and temperature control

FAST SHIP FINISHES :

- Chrome - 160.1700CP, Brushed Nickel - 160.1700BN

STANDARDS:

- ASME A112.18.1 / CSA B125.1, NSF-61

LowFlow Capable



Legislation Compliance



Low Lead Compliant



ZeroDrip Technology



Technical Diagram

