

20" Depth, 12" High	MODEL
<ul style="list-style-type: none"> ◆ 625± CFM ◆ 7" Round Duct Order duct cover separately from table below at no charge.	WHP1930BP1-SS WHP1936BP1-SS WHP30-STK-SS WHP36-STK-SS
<ul style="list-style-type: none"> ◆ 750± CFM ◆ 8" Round Transition Order duct cover separately from table below at no charge.	WHP1930BP1-8-SS WHP1936BP1-8-SS WHP30-STK-SS WHP36-STK-SS



WHP1900BP1

Wall Pyramid —WHP1900BP1—Slim Baffle Series

20" Depth, 12" High	MODEL
<ul style="list-style-type: none"> ◆ 570± CFM ◆ 7" Round Duct Order duct cover separately from table below at no charge.	WHP1930BP1SB-SS WHP1936BP1SB-SS WHP30-STK-SS WHP36-STK-SS
<ul style="list-style-type: none"> ◆ 675± CFM ◆ 8" Round Transition Order duct cover separately from table below at no charge.	WHP1930BP1SB-8-SS WHP1936BP1SB-8-SS WHP30-STK-SS WHP36-STK-SS



WHP1900BP1SB

FEATURES:

- ◆ 304 Marine Grade Stainless Steel.
- ◆ Variable Controls.
- ◆ Sones: 1.5 to 4.6.
- ◆ Filters: Aluminum Mesh
- ◆ Filters: Slim Baffle
- ◆ Front Panel Lighting: LED Bulb Included.
- ◆ Electrical: 115 AC, 60 Hz, 9 Amps. For proper installation, unit must be hard wired. Suggested use with 15 Amp Circuit.
- ◆ Suggested Distance Code: 36" above cooking surface.

OPTIONS:

- ◆ Angle cut duct covers additional charge. Must provide drawing and dimensions.
- ◆ Remote wiring, see accessories.
- ◆ Black or White Powder Coat, additional charge.
Ex: WHP1930BP1SB-BL (Black)
- ◆ Matte Black, additional charge.
Ex: WHP1930BP1SB-MB (Matte Black)
- ◆ Custom Sizes Available.

*Duct Cover (Duct Cover Not Telescopic)
 Order by model number below. **MUST INDICATE SIZE OF RANGE HOOD.**
 Calculated on mounting height of 36" above cooking surface.

<u>MODEL</u> —Standard Sizes	<u>CEILING HEIGHT</u>
WHP__-STK-SS-12	12" High for 8' Ceiling
WHP__-STK-SS-24	24" High for 9' Ceiling
WHP__-STK-SS-36	36" High for 10' Ceiling

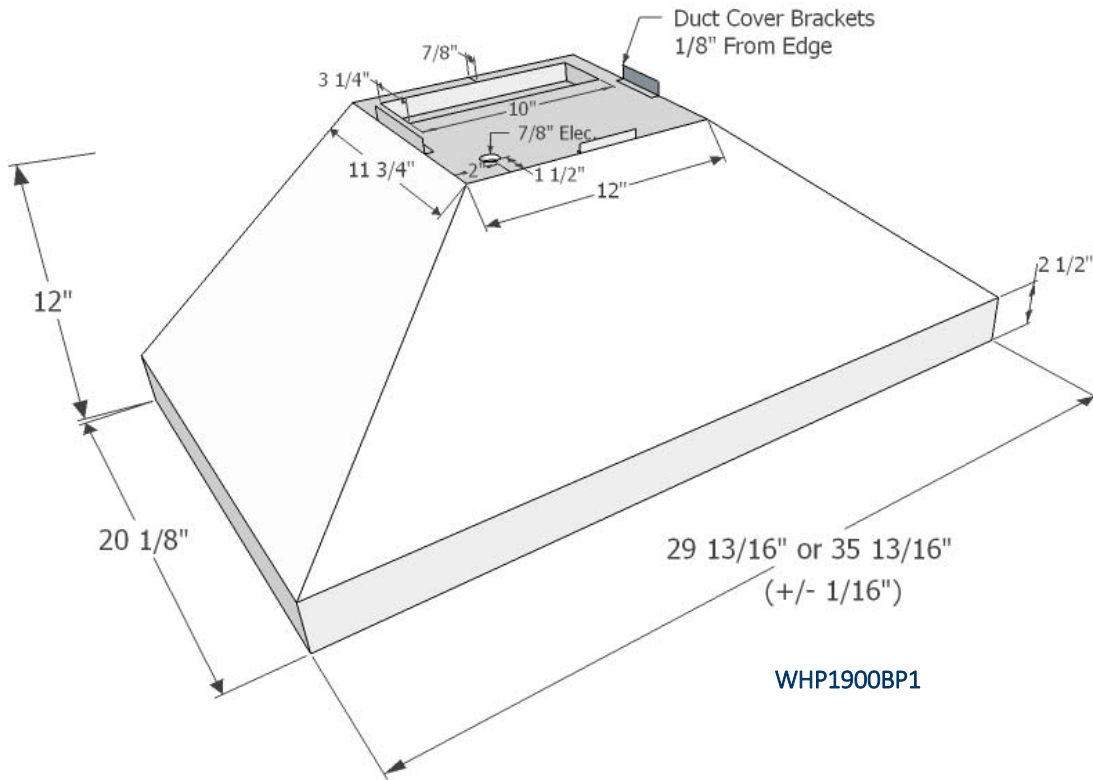
MODEL—Custom Size
 WHP36-STK-SS = Custom Size Provided at no charge up to 48" High
 Provide Height: **Ex: WHP36-STK-SS-26"**
 Call for Additional charge for duct covers over 48" High.

Custom Duct Cover Height Calculations.
 Call for Immediate Assistance: 800-851-4192

NO Performance Warranty Over BBQ Grill/Griddle.
NO Returns on Matte or RAL colors.



Wall Pyramid Specifications



NOTE:
3" x 10" Rectangle transition to 7" Round.
Height = 12" (INCLUDED)
Minimum Duct Cover Height 12".

NOTE: Duct Cover Depth & Width
11-5/8" D X 11-3/4" W

SEVEN YEAR, IN HOME, LIMITED WARRANTY, THE BEST IN THE INDUSTRY!

All dimensions are (+/-) 1/16" and are subject to change. Drawings are not to scale.