

Recycling Cabinet: 12", 15" or 18" Width	MODEL
<ul style="list-style-type: none"> <li>◆ Front Panel: Stainless, Black or White</li> <li>◆ Wood Front Ready (WF), to match existing cabinets. Wood Panel Supplied by Home Owner.</li> </ul>	RC12-BL-SS
	RC12-WH-SS
	RC12-BL-WF
	RC12-WH-WF
	RC12-WH
	RC12-BL
	RC15-BL-SS
	RC15-WH-SS
	RC15-BL-WF
	RC15-WH-WF
	RC15-WH
	RC15-BL
	RC18-BL-SS
	RC18-WH-SS
	RC18-BL-WF
	RC18-WH-WF
	RC18-WH
	RC18-BL



RC15-SS

**FEATURES:**

- ◆ Trash Cans Included
  - \*RC-12 Includes one 10 Gallon Can
  - RC15 Includes Two 7 Gallon Cans
  - RC18 Includes Two 10 Gallon Cans
- \*RC12 includes hooks on inside front panel to hang trash bags.

**OPTIONS:**

- ◆ Black Base with Stainless Steel Front Panel  
Ex: RC15-BL-SS
- ◆ Custom Sizes Available.

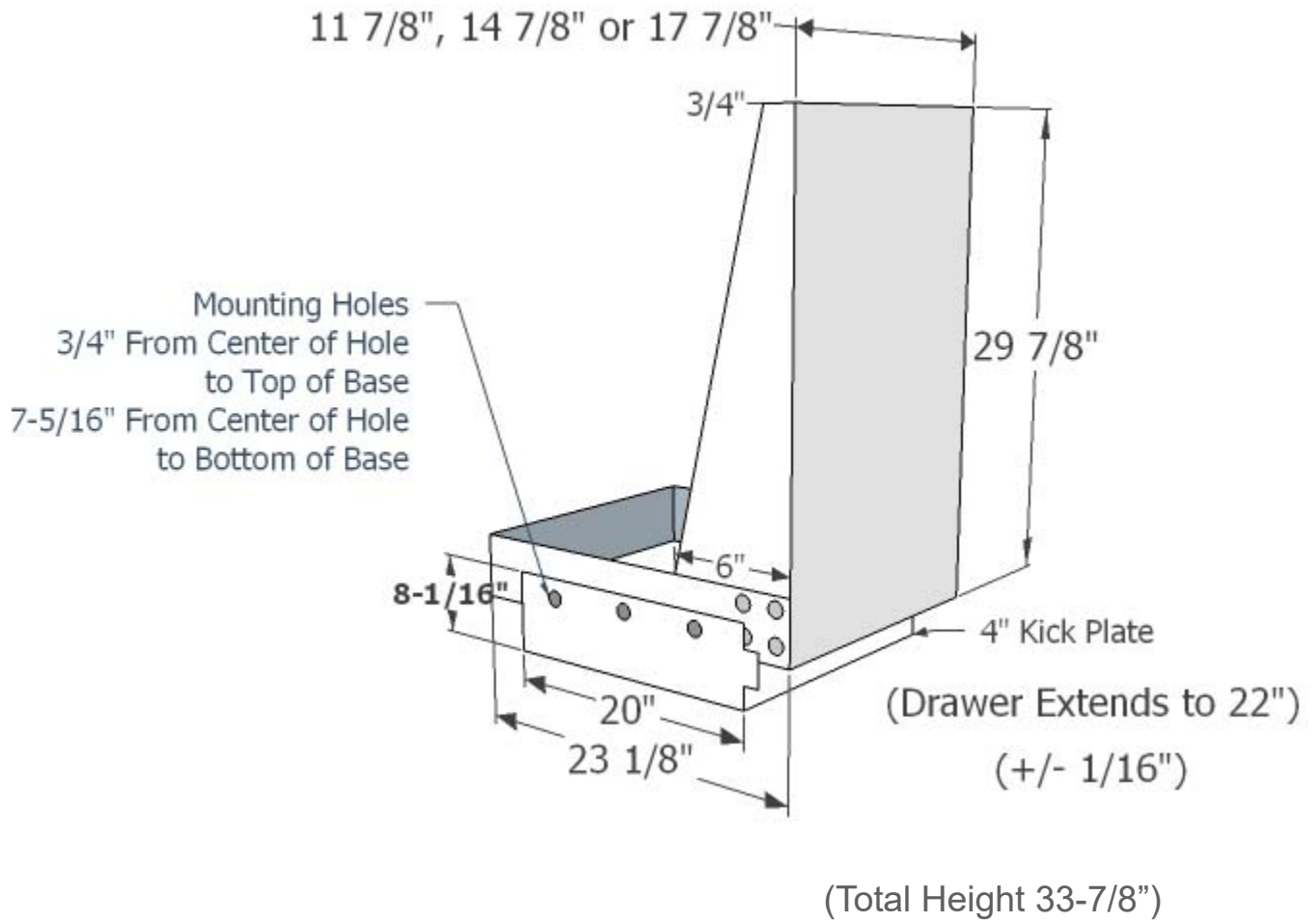


Photo shown is RC12-WH-SS



*Recycle for a better tomorrow.*

# Recycling Cabinet Specifications



*Recycle for a better tomorrow.*