

18" Depth, 6" High	MODEL Stainless	MODEL (Choose Color)
<ul style="list-style-type: none"> <li>◆ 325± CFM @ 2.5 to 4.9 Sones</li> <li>◆ 7" Round Duct</li> </ul>	N1930SD2SB-SS N1936SD2SB-SS N1942SD2SB-SS N1948SD2SB-SS	N1930SD2SB-BL or WH N1936SD2SB-BL or WH N1942SD2SB-BL or WH N1948SD2SB-BL or WH
<ul style="list-style-type: none"> <li>◆ 385± CFM @ 2.5 to 4.9 Sones</li> <li>◆ 7" Round Duct</li> <li>◆ Majority of airflow is on the right side.</li> </ul>	N1930TSB-SS N1936TSB-SS N1942TSB-SS	N1930TSB-BL or WH N1936TSB-BL or WH N1942TSB-BL or WH
<ul style="list-style-type: none"> <li>◆ 570± CFM @ 1.5 to 4.6 Sones</li> <li>◆ 7" Round Duct</li> </ul>	N1930BP1SB-SS N1936BP1SB-SS N1942BP1SB-SS	N1930BP1SB-BL or WH N1936BP1SB-BL or WH N1942BP1SB-BL or WH
<ul style="list-style-type: none"> <li>◆ 660± CFM @ 1.5 to 4.6 Sones</li> <li>◆ 7" Round Duct</li> </ul>	N1930BPSB-SS N1936BPSB-SS N1942BPSB-SS N1948BPSB-SS	N1930BPSB-BL or WH N1936BPSB-BL or WH N1942BPSB-BL or WH N1948BPSB-BL or WH
<ul style="list-style-type: none"> <li>◆ 790± CFM @ 1.5 to 4.6 Sones</li> <li>◆ 8" Round Transition</li> </ul>	N1930BPSB-8-SS N1936BPSB-8-SS N1942BPSB-8-SS N1948BPSB-8-SS	N1930BPSB-8-BL or WH N1936BPSB-8-BL or WH N1942BPSB-8-BL or WH N1948BPSB-8-BL or WH
22" Depth, 6" High	MODEL Stainless	MODEL (Choose Color)
<ul style="list-style-type: none"> <li>◆ 675± CFM @ 1.5 to 4.6 Sones</li> <li>◆ 7" Round Duct</li> </ul>	N1930PSSB-SS N1936PSSB-SS N1942PSSB-SS N1948PSSB-SS	N1930PSSB-BL or WH N1936PSSB-BL or WH N1942PSSB-BL or WH N1948PSSB-BL or WH
<ul style="list-style-type: none"> <li>◆ 810± CFM @ 1.5 to 4.6 Sones</li> <li>◆ 8" Round Transition</li> </ul>	N1930PSSB-8-SS N1936PSSB-8-SS N1942PSSB-8-SS N1948PSSB-8-SS	N1930PSSB-8-BL or WH N1936PSSB-8-BL or WH N1942PSSB-8-BL or WH N1948PSSB-8-BL or WH



N1900BPSB

**FEATURES:**

- ◆ 304 Marine Grade Stainless Steel.
- ◆ Variable or Rocker Controls.
- ◆ Filters: Slim Baffle
- ◆ Center Panel Lighting: LED bulbs included.
- ◆ Heat Controlled Thermostat, Fire Safety Controlled. Activates at 130 degrees. (Not available on T or SD2).
- ◆ Electrical: 115 AC, 60 Hz, 9 Amps. For proper installation, unit must be hard wired. Suggested use with 15 Amp Circuit.
- ◆ Suggested Distance Code: 36" above cooking surface. SD2 can be mounted at 30" above cooking surface.

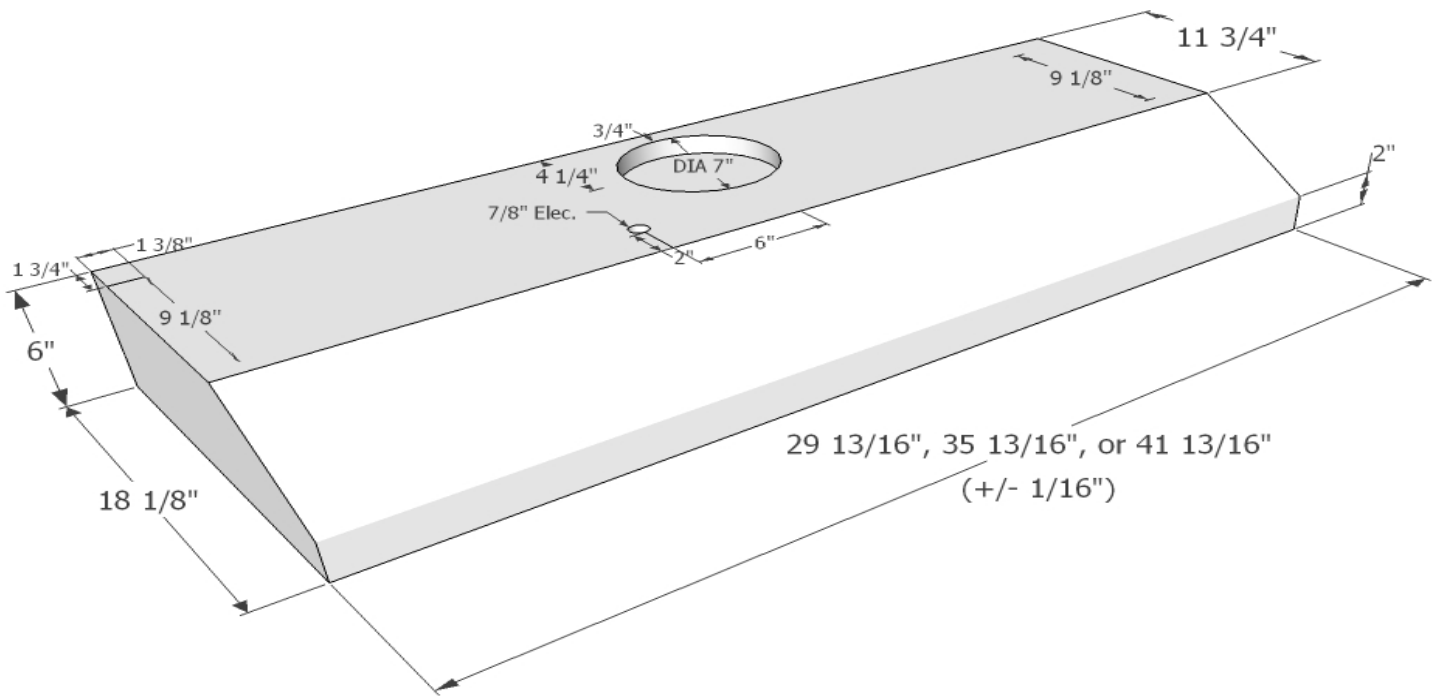
**OPTIONS:**

- ◆ Matte Black, additional charge.  
Ex: N1930BP1SB-MB (Matte Black)
- ◆ Remote wiring, see accessories.

**NO Returns on Matte or RAL colors.**



## Under Cabinet Slim Line Specifications



**SEVEN YEAR, IN HOME, LIMITED WARRANTY, THE BEST IN THE INDUSTRY!**

All dimensions are (+/-) 1/16" and are subject to change. Drawings are not to scale.