

18" Depth, 6" High	MODEL Stainless	MODEL (Choose Color)
<ul style="list-style-type: none"> ◆ 325± CFM @ 2.5 to 4.9 Sones ◆ 7" Round Duct 	N1930SD2SB-SS N1936SD2SB-SS N1942SD2SB-SS N1948SD2SB-SS	N1930SD2SB-BL or WH N1936SD2SB-BL or WH N1942SD2SB-BL or WH N1948SD2SB-BL or WH
<ul style="list-style-type: none"> ◆ 385± CFM @ 2.5 to 4.9 Sones ◆ 7" Round Duct 	N1930TSB-SS N1936TSB-SS N1942TSB-SS	N1930TSB-BL or WH N1936TSB-BL or WH N1942TSB-BL or WH
<ul style="list-style-type: none"> ◆ 570± CFM @ 1.5 to 4.6 Sones ◆ 7" Round Duct 	N1930BP1SB-SS N1936BP1SB-SS N1942BP1SB-SS	N1930BP1SB-BL or WH N1936BP1SB-BL or WH N1942BP1SB-BL or WH
<ul style="list-style-type: none"> ◆ 660± CFM @ 1.5 to 4.6 Sones ◆ 7" Round Duct 	N1930BPSB-SS N1936BPSB-SS N1942BPSB-SS N1948BPSB-SS	N1930BPSB-BL or WH N1936BPSB-BL or WH N1942BPSB-BL or WH N1948BPSB-BL or WH
<ul style="list-style-type: none"> ◆ 790± CFM @ 1.5 to 4.6 Sones ◆ 8" Round Transition 	N1930BPSB-8-SS N1936BPSB-8-SS N1942BPSB-8-SS N1948BPSB-8-SS	N1930BPSB-8-BL or WH N1936BPSB-8-BL or WH N1942BPSB-8-BL or WH N1948BPSB-8-BL or WH
22" Depth, 6" High	MODEL Stainless	MODEL (Choose Color)
<ul style="list-style-type: none"> ◆ 675± CFM @ 1.5 to 4.6 Sones ◆ 7" Round Duct 	N1930PSSB-SS N1936PSSB-SS N1942PSSB-SS N1948PSSB-SS	N1930PSSB-BL or WH N1936PSSB-BL or WH N1942PSSB-BL or WH N1948PSSB-BL or WH
<ul style="list-style-type: none"> ◆ 810± CFM @ 1.5 to 4.6 Sones ◆ 8" Round Transition 	N1930PSSB-8-SS N1936PSSB-8-SS N1942PSSB-8-SS N1948PSSB-8-SS	N1930PSSB-8-BL or WH N1936PSSB-8-BL or WH N1942PSSB-8-BL or WH N1948PSSB-8-BL or WH



N1900BPSB

FEATURES:

- ◆ 304 Marine Grade Stainless Steel.
- ◆ Variable or Rocker Controls.
- ◆ Filters: Slim Baffle
- ◆ Center Panel Lighting: LED bulbs included.
- ◆ Heat Controlled Thermostat, Fire Safety Controlled. Activates at 130 degrees. (Not available on T or SD2).
- ◆ Electrical: 115 AC, 60 Hz, 9 Amps. For proper installation, unit must be hard wired. Suggested use with 15 Amp Circuit.
- ◆ Suggested Distance Code: 36" above cooking surface. SD2 can be mounted at 30" above cooking surface.

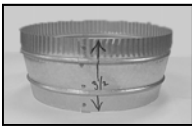
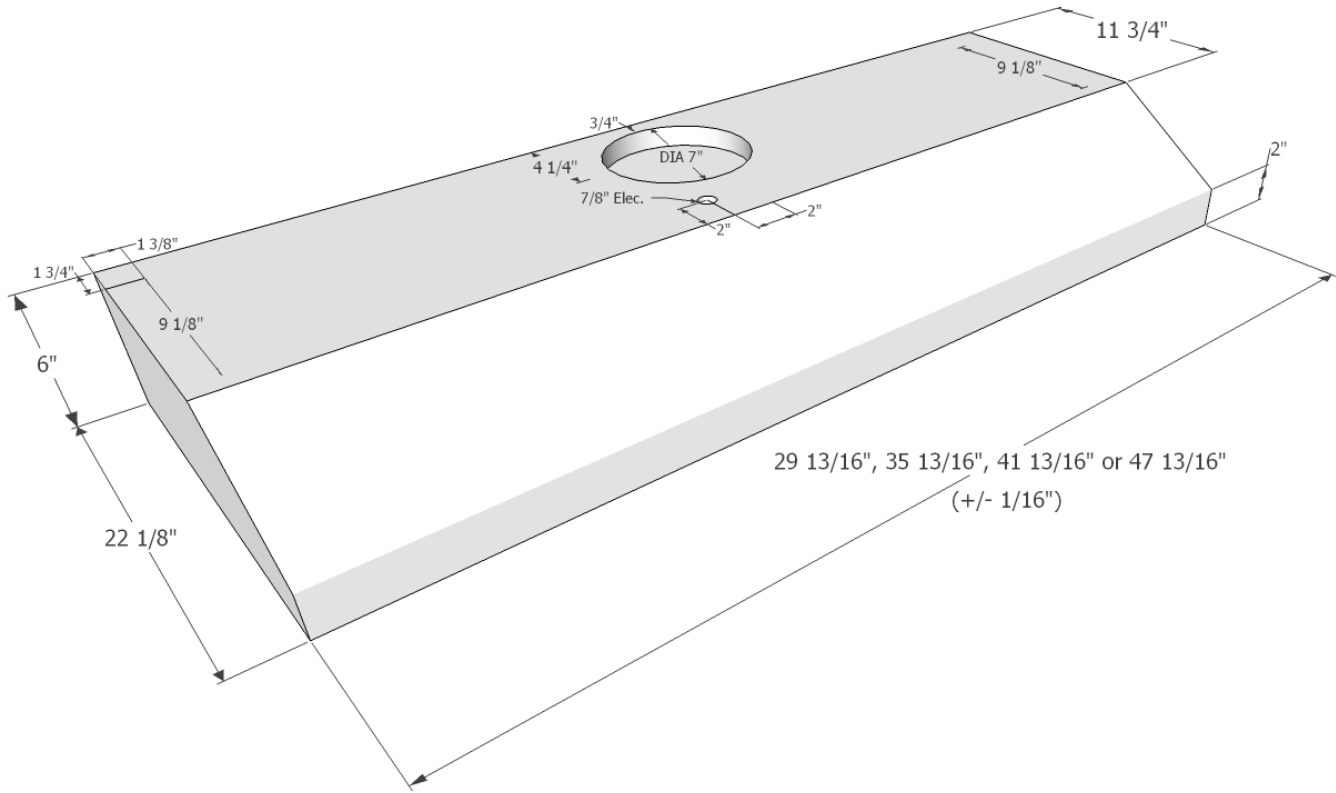
OPTIONS:

- ◆ Matte Black, additional charge.
Ex: N1930BP1SB-MB (Matte Black)
- ◆ Remote wiring, see accessories.

NO Returns on Matte or RAL colors.



Under Cabinet Slim Line Specifications



8" Transition
8" Round x 3-1/2" high

SEVEN YEAR, IN HOME, LIMITED WARRANTY, THE BEST IN THE INDUSTRY!

All dimensions are (+/-) 1/16" and are subject to change. Drawings are not to scale.