

18" Depth, 6" High	MODEL Stainless	MODEL (Choose Color)
<ul style="list-style-type: none"> ◆ 360± CFM @ 2.5 to 4.9 Sones ◆ 7" Round Duct 	N1930SD2-SS N1936SD2-SS N1942SD2-SS N1948SD2-SS	N1930SD2-BL or WH N1936SD2-BL or WH N1942SD2-BL or WH N1948SD2-BL or WH
<ul style="list-style-type: none"> ◆ 425± CFM @ 2.5 to 4.9 Sones ◆ 7" Round Duct 	N1930T-SS N1936T-SS N1942T-SS	N1930T-BL or WH N1936T-BL or WH N1942T-BL or WH
<ul style="list-style-type: none"> ◆ 635± CFM @ 1.5 to 4.6 Sones ◆ 7" Round Duct 	N1930BP1-SS N1936BP1-SS N1942BP1-SS	N1930BP1-BL or WH N1936BP1-BL or WH N1942BP1-BL or WH
<ul style="list-style-type: none"> ◆ 735± CFM @ 1.5 to 4.6 Sones ◆ 7" Round Duct 	N1930BP-SS N1936BP-SS N1942BP-SS N1948BP-SS	N1930BP-BL or WH N1936BP-BL or WH N1942BP-BL or WH N1948BP-BL or WH
<ul style="list-style-type: none"> ◆ 900± CFM @ 1.5 to 4.6 Sones ◆ 8" Round Transition 	N1930BP-8-SS N1936BP-8-SS N1942BP-8-SS N1948BP-8-SS	N1930BP-8-BL or WH N1936BP-8-BL or WH N1942BP-8-BL or WH N1948BP-8-BL or WH
22" Depth, 6" High	MODEL Stainless	MODEL (Choose Color)
<ul style="list-style-type: none"> ◆ 750± CFM @ 1.5 to 4.6 Sones ◆ 7" Round Duct 	N1930PS-SS N1936PS-SS N1942PS-SS N1948PS-SS	N1930PS-BL or WH N1936PS-BL or WH N1942PS-BL or WH N1948PS-BL or WH
<ul style="list-style-type: none"> ◆ 900± CFM @ 1.5 to 4.6 Sones ◆ 8" Round Transition 	N1930PS-8-SS N1936PS-8-SS N1942PS-8-SS N1948PS-8-SS	N1930PS-8-BL or WH N1936PS-8-BL or WH N1942PS-8-BL or WH N1948PS-8-BL or WH



N1900BP-SS



N1900SD2-BL



N1900T-WH

FEATURES:

- ◆ 304 Marine Grade Stainless Steel.
- ◆ Variable or Rocker Controls.
- ◆ Filters: Aluminum Mesh
- ◆ Center Panel Lighting: LED bulbs included.
- ◆ Heat Controlled Thermostat, Fire Safety Controlled. Activates at 130 degrees. (Not available on T or SD2).
- ◆ Electrical: 115 AC, 60 Hz, 9 Amps. For proper installation, unit must be hard wired. Suggested use with 15 Amp Circuit.
- ◆ Suggested Distance Code: 36" above cooking surface. SD2 can be mounted at 30" above cooking surface.

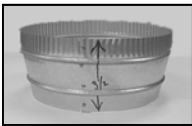
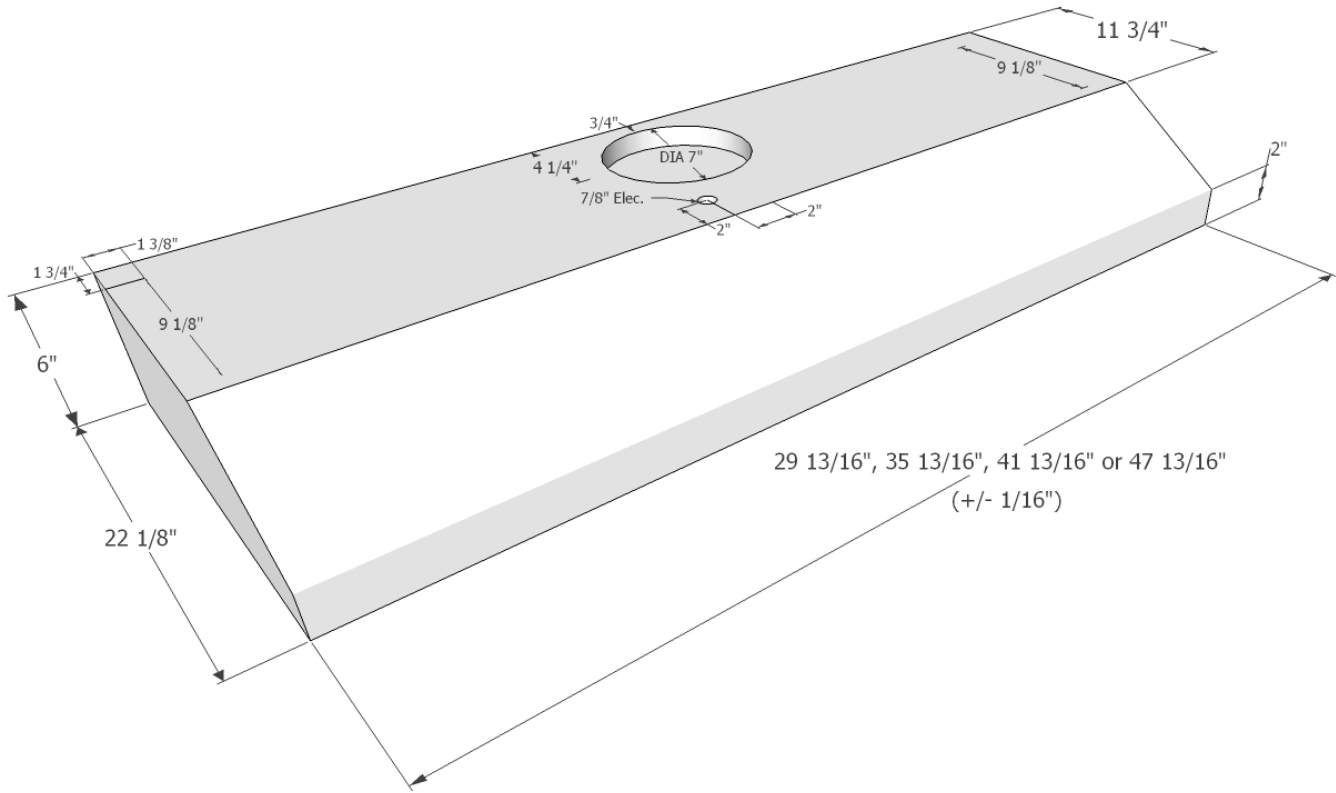
OPTIONS:

- ◆ Matte Black, additional charge.
Ex: N1930BP1-MB (Matte Black)
- ◆ Remote wiring, see accessories.

NO Returns on Matte or RAL colors.



Under Cabinet Slim Line Specifications



8" Transition
8" Round x 3-1/2" high

SEVEN YEAR, IN HOME, LIMITED WARRANTY, THE BEST IN THE INDUSTRY!

All dimensions are (+/-) 1/16" and are subject to change. Drawings are not to scale.