

<b>11" High, Drawer Extends to 22" Depth</b>	<b>MODEL White or Black Front Panel</b>	<b>MODEL Stainless Front Panel</b>
<ul style="list-style-type: none"> <li>◆ 635± CFM @ 1.5 to 4.6 Sones</li> <li>◆ 7" Round Duct, 4.25" Off Center</li> </ul>	WHITE PANEL G3030PS1-WH G3036PS1-WH G3042PS1-WH BLACK PANEL G3030PS1-BL G3036PS1-BL G3042PS1-BL	WHITE BODY / STAINLESS PANEL G3030PS1-WH-SS G3036PS1-WH-SS G3042PS1-WH-SS BLACK BODY / STAINLESS PANEL G3030PS1-BL-SS G3036PS1-BL-SS G3042PS1-BL-SS
<ul style="list-style-type: none"> <li>◆ 760± CFM @ 1.5 to 4.6 Sones</li> <li>◆ 8" Round Transition 4.25" Off Center</li> </ul>	WHITE PANEL G3030PS1-8-WH G3036PS1-8-WH G3042PS1-8-WH BLACK PANEL G3030PS1-8-BL G3036PS1-8-BL G3042PS1-8-BL	WHITE BODY / STAINLESS PANEL G3030PS1-8-WH-SS G3036PS1-8-WH-SS G3042PS1-8-WH-SS BLACK BODY / STAINLESS PANEL G3030PS1-8-BL-SS G3036PS1-8-BL-SS G3042PS1-8-BL-SS
<b>6" High, Drawer Extends to 18" Depth</b>	<b>MODEL White or Black Front Panel</b>	<b>MODEL Stainless Front Panel</b>
<ul style="list-style-type: none"> <li>◆ 430± CFM @ 2.5 to 7.6 Sones</li> <li>◆ 7" Round Duct</li> </ul>	WHITE PANEL G3030SD4-WH G3036SD4-WH G3042SD4-WH G3048SD4-WH BLACK PANEL G3030SD4-BL G3036SD4-BL G3042SD4-BL G3042SD4-BL	WHITE BODY / STAINLESS PANEL G3030SD4-WH-SS G3036SD4-WH-SS G3042SD4-WH-SS G3048SD4-WH-SS BLACK BODY / STAINLESS PANEL G3030SD4-BL-SS G3036SD4-BL-SS G3042SD4-BL-SS G3042SD4-BL-SS
<ul style="list-style-type: none"> <li>◆ 360± CFM @ 2.5 to 4.9 Sones</li> <li>◆ 7" Round Duct</li> </ul>	WHITE PANEL G3030SD2-WH G3036SD2-WH G3042SD2-WH BLACK PANEL G3030SD2-BL G3036SD2-BL G3042SD2-BL	WHITE BODY / STAINLESS PANEL G3030SD2-WH-SS G3036SD2-WH-SS G3042SD2-WH-SS BLACK BODY / STAINLESS PANEL G3030SD2-BL-SS G3036SD2-BL-SS G3042SD2-BL-SS



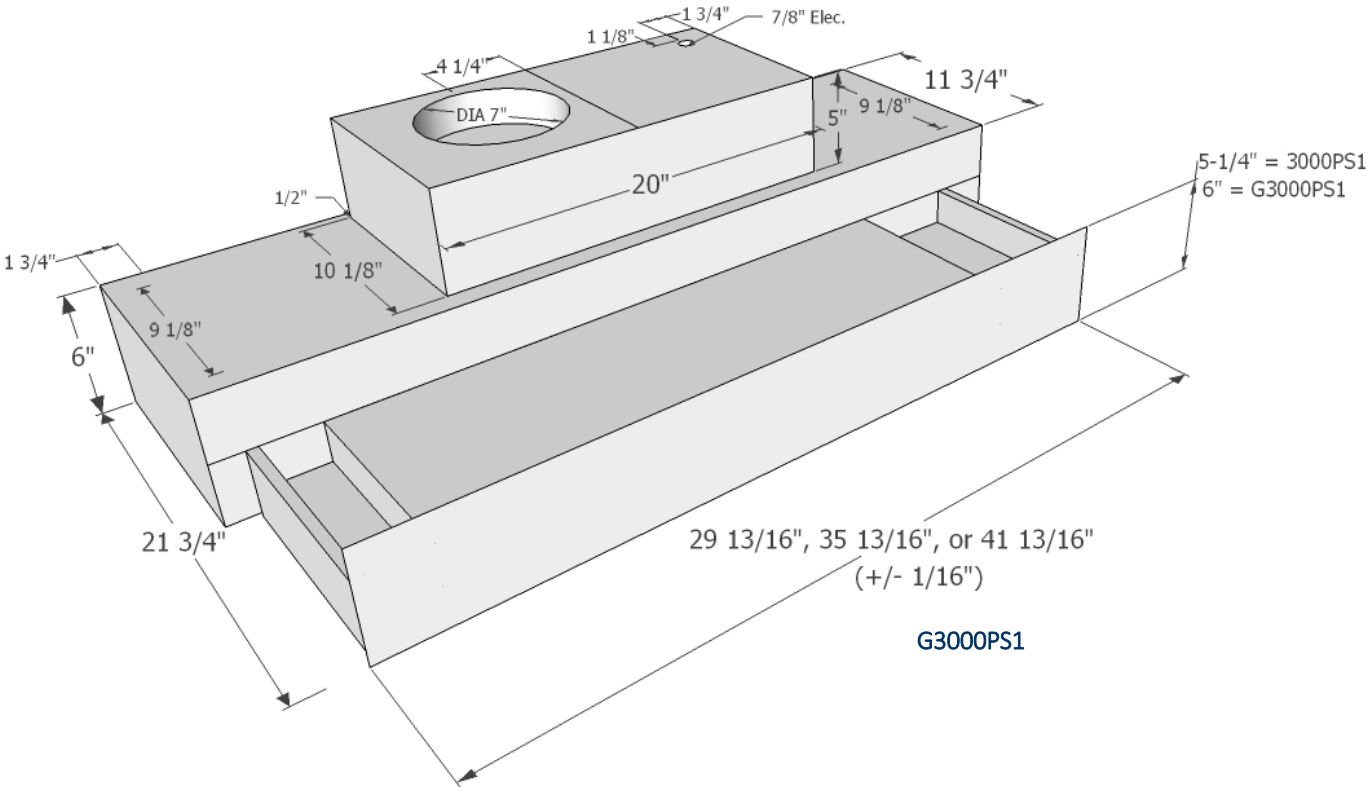
G3000SD4-WH-SS

**FEATURES:**

- ◆ Variable or Rocker Controls.
- ◆ Lighting: 75 Watt Max Incandescent. (Not Included)
- ◆ Filters: Aluminum Mesh
- ◆ Heat Controlled Thermostat, Fire Safety Controlled. Activates at 130 degrees. (On PS1 model only).
- ◆ Electrical: 115 AC, 60 Hz, 9 Amps. For proper installation, unit must be hard wired. Suggested use with 15 Amp Circuit.
- ◆ Installation: Included Mounting Screws.
- ◆ Suggested Distance Code: 36" above cooking surface. SD2 can be mounted at 30".



# Flush Mount Specifications



## TRANSITION

Example: G3036PS1-8-BL-SS  
Vent Size 8" Round x 3-1/2" High



**SEVEN YEAR, IN HOME, LIMITED WARRANTY, THE BEST IN THE INDUSTRY!**  
All dimensions are (+/-) 1/16" and are subject to change. Drawings are not to scale.