

22-1/8" Depth, 6" High	MODEL
<ul style="list-style-type: none"> <li>◆ 675± CFM</li> <li>◆ 7" Round Duct</li> </ul>	C2036PSSB-IS22-SS C2042PSSB-IS22-SS C2048PSSB-IS22-SS
<ul style="list-style-type: none"> <li>◆ 810± CFM</li> <li>◆ 8" Round Transition</li> </ul>	C2036PSSB-IS22-8-SS C2042PSSB-IS22-8-SS C2048PSSB-IS22-8-SS



C2000 ISLAND LINER

FEATURES:

- ◆ Variable Controls
- ◆ Sones: 1.5 to 4.6
- ◆ Filters: Slim Baffle
- ◆ Front Panel Lighting: LED bulb included.
- ◆ Electrical: 115 AC, 60 Hz, 9 Amps. For proper installation, unit must be hard wired. Suggested use with 15 Amp Circuit.
- ◆ Electrical: 115 AC, 60 Hz, 9 Amps. Suggested use with 15 Amp Circuit
- ◆ Suggested Distance Codes: 36" above cooking surface.

OPTIONS:

- ◆ Available in 28" Depth.
- ◆ Flange for the perfect fit.
- ◆ Remote wiring.
- ◆ Transition.

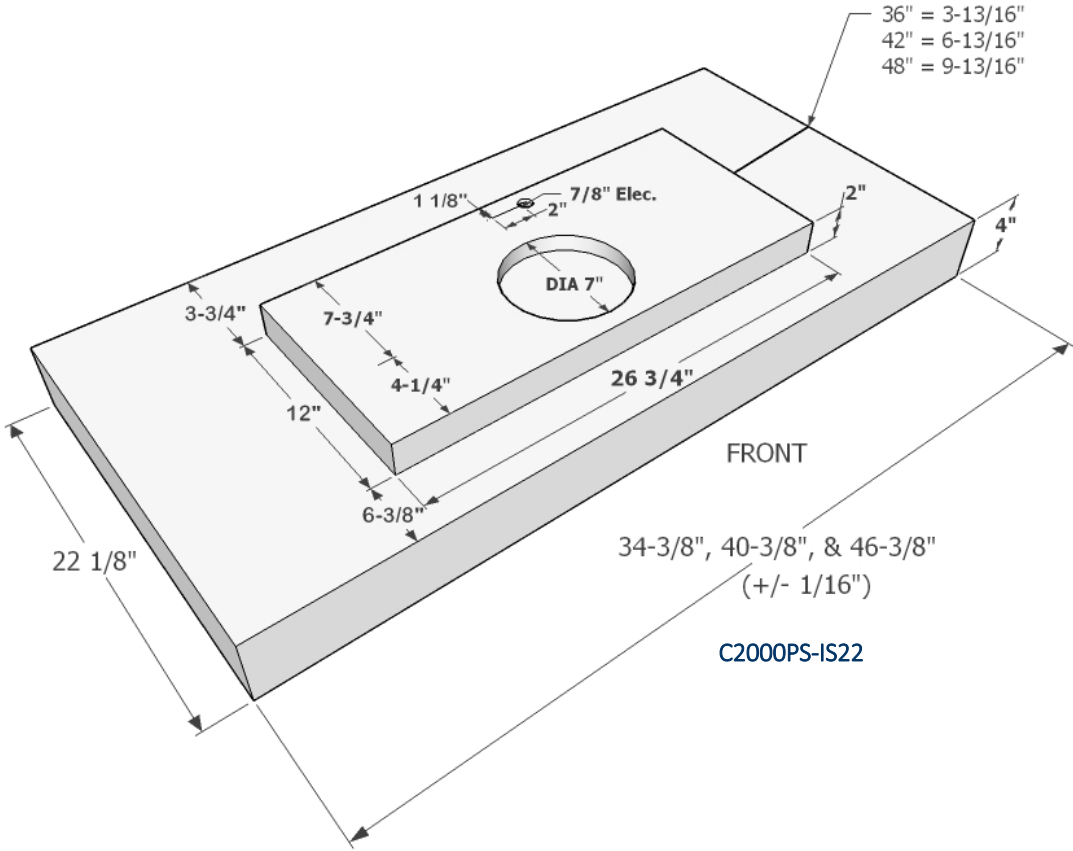
NO Performance Warranty over BBQ Grills/Griddles.



TRANSITION

Example: C2036PS-IS22-8-SS  
Vent Size 8" Round x 3-1/2" High

# Powered Liner Specifications



TRANSITION

Example: C2036PS-IS22-8  
 Vent Size 8" Round x 3-1/2" High



SEVEN YEAR, IN HOME, LIMITED WARRANTY, THE BEST IN THE INDUSTRY!  
 All dimensions are (+/-) 1/16" and are subject to change. Drawings are not to scale.