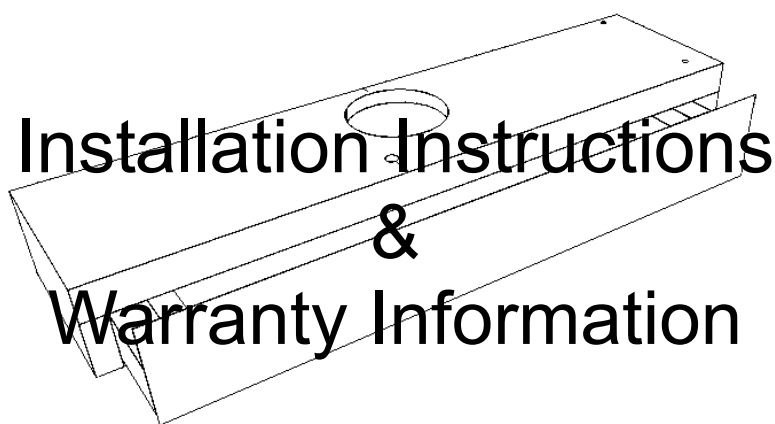


Flush Mount—3000 & G3000



425 Apollo Street
Brea, CA 92821
www.imperialhoods.com
(800) 851-4192

**DO NOT THROW AWAY,
PROPERTY OF THE HOME OWNER!**

**Unit is to be hardwired.
Adding a Power Cord will void the warranty.**

Imperial Cal Products, Inc.



Read Before Starting Installation! Inspect your range hood prior to installing! Any cosmetic defects must be reported to us prior to installation. Once this hood is installed, ICP will NOT accept any responsibility for any cosmetic blemishes, scratches or dents in the Canopy. Save all original packaging if you wish to return for any reason!

FIRST:

Check your local building and electrical codes.

WARNING:

To reduce the risk of fire or electrical shock, Do Not use any two speed motor units with a Solid State control devise.

CAUTION:


To reduce the risk of fire or personal injury and to properly exhaust air, be sure to duct air to the outside. DO NOT vent exhaust air into spaces within wall, attics, ceilings, crawl spaces or garages. For general ventilation use only. Do not use to Exhaust Hazardous or Explosive Materials and Vapors. When venting to the outside make duct run as short and straight as possible. **Avoid using elbows if at all possible as this will reduce your performance.** If elbows are used, we recommend that the first elbow is 24" from vent opening on the hood (minimum of 12") and at least 24" between it and the next elbow. We strongly recommend no more than two 90 degree elbows in any duct run. Every elbow will decrease the performance and we will not guarantee the effectiveness of the range hood.


No Performance Warranty when used above BBQ Style Grills.


DO NOT use duct pipe smaller than the outlet duct opening on the hood, this will reduce performance and void the warranty. DO NOT use flex ducting. Also, use either a Roof Cap or Wall Cap to end run. Be sure that all joints are taped securely in place. It is essential to have the proper distance between the bottom of the range hood and the cooking surface below. In most cases the cooking appliance manufacturers specifications will establish the fire safe minimum distance required, although there are other factors to consider:

- Local Building Codes
- Cross directional air movements ie: open windows, air conditioning/heating outlets, cooling fans, etc.
- Overall size of the cooking appliance and surrounding countertop surfaces.
- Range hood model selected.

For best performance, distance between cooking surface and the bottom of the hood is 30" and 36". Check local codes and appliance specifications. Keep in mind, increasing the distance will decrease the performance. **PS1 is equipped with a thermostat. Unit will automatically turn on**

 (4) 10-32 2" Sstd. Round Screw

 (4) 1-1/4 Fender Washer

 (4) 10-32 Wingnuts

 (4) 10 F/W Stand Washer

**to the
high-
est**

**setting when 130
able in SD4 or SD2**

PARTS INCLUDED:



(2) Large Aluminum Mesh Filters
(2) Smaller Aluminum Mesh Filters

**degrees is reached. (Not avail-
models)**

DISCLAIMER

Imperial assumes no liability regarding the improper installation or misapplication of its products. It is the installer's responsibility to check for proper installation. Under no circumstances will Imperial be liable for any labor charged or travel time incurred installation of its products. Damage caused by improper installation is the installers responsibility and Imperial assumes no liability.



WARNING: This product can expose you to certain chemicals, which are known to the State of California to cause cancer or birth defects or other reproductive harm. For more information to go: www.P65WARNINGS.ca.gov.

Flush Mount Installation Details:

MODELS:
G3000SD2
3000SD2

MODELS:
G3000SD4
3000SD4

MODELS:
G3000PS1
3000PS1

CABINET: Be sure cabinet bottom is level, side to side and front to rear.

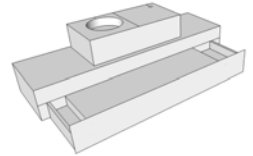
- For the “**SD**” units prepare cabinet by cutting an 8” x 8” hole in bottom, 3/4” from wall and on Center line.
- For the “**PS1**” units prepare the cabinet by cutting a 10 3/8” (D) x 20 1/4” (W) hole in the bottom, 1/2” from wall and center line.
- Shelves and top to be cut to clear 7” round pipe. Make sure to cut holes for electrical wires.

NOTE: Bolts, washers and nuts supplied. Remove the Drawer before positioning the hood under the cabinet. **(See next page on how to remove drawer.)**

- **Remove Black Tape that holds dampers in closed position. *It is NOT recommended to use 2 dampers during installation. You have the option to put a external damper or use the existing damper already on the unit.**
- Position hood against cabinet bottom and against the wall. Mark the underside of cabinet through each key-hole for location of each bolt hole.
- Drill 3/16” holes through cabinet bottom. Insert bolts with small washer under head of bolt through cabinet bottom from inside the cabinet.
- Again, position hood under cabinet with bolts through key-holes. Starting with front key-holes, place large washer on bolt, attach the wing-nut to bolt, secure both front wing-nuts. Push hood back against wall, secure large washer and the wing-nuts on rear bolts.
- Re-install the drawer.
- Connect duct and tape all joints.
- Replace Filters



SD2 or SD4



PS1



Black Tape on Damper

ELECTRICAL:

- Bring enough wire into cabinet to reach in front of vent pipe.
- Enter the cabinet 3 1/4” left of center for (SD unit) or 2 1/4” for the (PS1 unit).
- Remove electrical box cover before mounting the hood.
- After hood is mounted attach house wires to leads in hood.
- Secure locknut to conduit and check wiring for compliance with all local codes.
- Replace electrical box cover.

Units are to be hard wired. It is not recommended to add a power-cord. Adding a power cord can loosen existing wires inside junction box causing electrical failure. cord.

Duct Sizes Indicated in Model # (Ex: 3030PS1-8)

**** - 8 = 8” DUCT PIPE**

PROPERTY OF HOME OWNER, DO NOT THROW AWAY!

Flush Mount Installation Details:

MODELS:
G3000SD2
3000SD2

MODELS:
G3000SD4
3000SD4

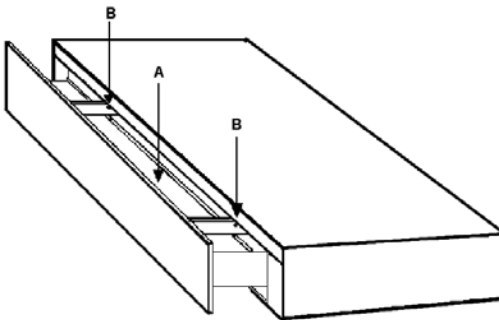
MODELS:
G3000PS1
3000PS1

TO REMOVE DRAWER FROM 3000

- A) Pull out drawer until it stops.
B) Press down drawer top at the point indicated by arrow "A" to release safety clip, while pulling the drawer outward.

WHEN THE DRAWER STOPS AGAIN...

- C) Press two black buttons on left and right slides indicated by arrows marked "B".
D) Pulling the drawer outward. Drawer will come free of hood, HOLD SECURLEY!



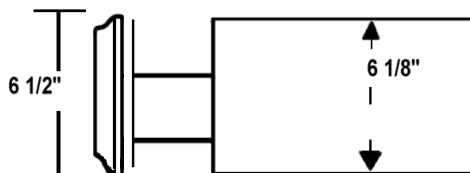
WOOD PANEL:

To determine the size of your front Wood Panel you must take two things into consideration:

- Actual size of the hood itself
- Design of surrounding cabinets

You want to hide the hood and to do so you need it to line up with the surrounding cabinets. We suggest you extend the Height and Width of the Wood Panel a bit beyond the actual size of the hood. So if you have a 36" hood your wood Panel might be 36.5" Wide by 6.5" High. The final choice on the size must be determined by your cabinet maker and yourself.

WOOD FRONT PANEL



Imperial Cal Products, Inc.

To order replace parts or schedule service please call our office at (800) 851-4192.

PARTS:

When ordering Parts we need the following information:

- Model Number (not serial number) found on receipt of purchase or Series listed on the UL label inside hood.
- Filters—provide **Exact Dimensions**

You can find the model number on the inside of your hood on our UL label. There will be a several model numbers listed, your model number should have a colored dot or mark next to it to indicate the exact model you have.

In the case of Filters, we will need the **exact dimensions of the filter needed**. Indicate which side has the pull tabs on it. Filters are not a warranty replacement part. With care your filters should last many years.

Payment on Parts is handled one of three ways: PrePaid (you send a check prior to our Shipping), call with credit card information, VISA or MasterCard, COD or Cash if you decide to "Will Call". **Our Will Call hours are 8:30 to 3:30, Monday through Friday.**

SERVICE:

When calling in for Service we need the following information:

- **Model Number (not serial number)**
- **Proof of Purchase**
- **Name of company you purchased the hood through.**
- **Name & Phone number of the person to contact to set up the service call.**
- **Full address of the location where service is to be done.**

Warranty is Seven Years, Parts and Labor.

Imperial Cal Products, Inc.

Maintenance & Warranty Information

This product has the simplest of cleaning requirements. Clean filters often for the best performance. **May be used in the dishwasher, depending on detergents, filters may discolor.** How often depends on amount and type of cooking. When cleaning a painted hood, wash it with mild, soapy water ONLY! Wipe the hood thoroughly with clean water and dry with soft cloth. When cleaning Stainless Steel use a cleaner specifically for Stainless Steel. Always rub with the grain using non-abrasive cleaning materials. AVOID detergents, drying agents, disinfectants or cleaning products in aerosol cans. NEVER use abrasive scouring powders on your hood! Some cleaning chemicals may damage the hood finish!

Clean Fan, Filter and Grease Laden Surfaces FREQUENTLY

- **Recessed (Behind grease filters): 75 Watt (Max.) Incandescent OR 8.5 Watt LED Dimmable. (Equivalent to the 75 Watt Incandescent)**
Bulbs not included on any model.

Warning: Do not use any bulbs that are not instructed by manufacturer.

Your Imperial Warranty: **MUST show proof of original purchase date is needed to obtain service under warranty.**

Deluxe Units: Seven Year Limited Warranty, Parts and Labor in the Continental USA. Parts ONLY outside the United States.

For seven years from date of original purchase, we will provide parts and service labor in your home to repair or replace any part of the hood that fails due to a manufacturing defect. Call for service at (800) 851-4192

NOTE:

Service companies will perform Warranty Service, Monday through Friday from 7 a.m.—4: p.m. The service company will call and schedule a date and time with a 4 hour window. If the service company arrives at your location, during the scheduled date and time, and no one is home, you will be charged a trip charge by the service company for a return service call.

ITEMS IMPERIAL WILL NOT PAY FOR

1. Service calls to correct the installation of your appliance, to instruct you how to use or clean your appliance, to replace or repair house fuses or the correct housing wiring or plumbing.
2. Service calls to repair or replace appliance light bulbs or filters.
3. Repairs when your appliance is used for other than normal, single-family household use.
4. Damage resulting from accident, alteration, misuse, abuse, fire, flood, acts of God, improper installation, installation not in accordance with electrical or plumbing codes.
5. Replacement parts or repair costs for units operated outside the United States.
6. Pickup and delivery. This appliance is designed to be repaired in the home.
7. Repairs to parts or systems resulting from unauthorized modification made to the appliance.
8. Expenses for travel and transportation for product service in remote locations.
9. The removal and reinstallation of your appliance if it is installed in an inaccessible location or is not installed in accordance with the published installation instructions.
10. Replacement parts or repair labor costs when the appliance is used in a country other

SAFETY INSTRUCTIONS

Read and Save These Instructions

Warning: To reduce the risk of fire, electrical shock or injury to persons, observe the following:

- A. Use this unit only in the manner intended by the manufacturer. If you have any questions, contact the manufacturer. Before servicing or cleaning unit, switch power off at service panel and lock Service Disconnecting Means to prevent power from being switched on accidentally. When the Service Disconnecting Means cannot be locked, securely fasten a prominent warning device, such as a tag, to the service panel.

Warning: To reduce the risk of a range top grease fire:

- A. Never leave surface units unattended at high settings. Boilovers cause smoking and greasy spillovers that may ignite. Heat oils slowly on low or medium settings.
- B. Always turn hood ON when cooking at high heat or when Flambéing foods (i.e. Crepes Suzette, Cherries Jubilee, Peppercorn Beef Flambé).
- C. Clean ventilating fans frequently. Grease should not be allowed to accumulate on fans or filters.
- D. Use proper pan size. Always use cookware appropriate for the size of the surface element.

Warning: To reduce the risk of injury to persons in the event of a range top grease fire, observe the following:

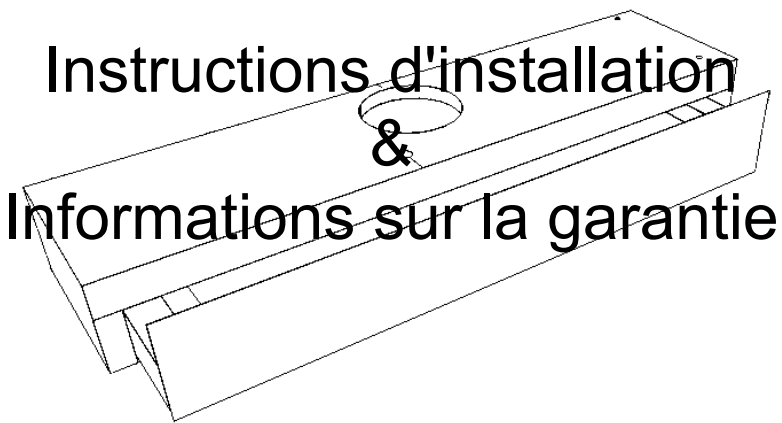
- A. SMOTHER FLAMES with a close-fitting lid, cookie sheet or metal tray, then turn off the burner. BE CAREFUL TO PREVENT BURNS. If flames do not go out immediately, EVACUATE AND CALL THE FIRE DEPARTMENT.
- B. NEVER PICK UP A FLAMING PAN - you may be badly burned.
- C. DO NOT USE WATER, including wet dishcloths or towels, violent steam explosion will result.
- D. Use an extinguisher ONLY if:
 - ⇒ You know you have a Class ABC extinguisher and you already Know how to use it.
 - ⇒ The fire is small and contained in the area where it started.
 - ⇒ The fire department is being called.
 - ⇒ You can fight the fire with your back to an exit.

Warning: To reduce the risk of fire, electrical shock or injury to persons, observe the following:

- A. Installation work and electrical wiring must be done by a qualified person or persons in accordance with all applicable codes and standards, including fire-rated construction.
- B. Sufficient air is needed for proper combustion and exhausting of gases through the flue of fuel burning equipment to prevent back drafting. Follow the heating equipment manufacturer's guideline and safety standards such as those published by the National Fire Protection Association (NFPA), and the American society for Heating, Refrigeration & Air conditioning Engineers (ASHRAE), and the local code authorities.
- C. When cutting or drilling into a wall or ceiling, do not damage electrical wiring and other hidden utilities.
- D. Ducted fans must always be vented to the outdoors.

Warning: To reduce risk of fire, use only Smooth Metal Ducting!

FLUSH MOUNT—3000 / G3000



425 Rue Apollo
Brea CA 92821
www.imperialhoods.com
(800) 851-4192

**PROPRIÉTÉ DU PROPRIÉTAIRE DE LA MAISON,
NE PAS JETER !**

Impériale Cal Products, Inc.



Lire avant de commencer l'Installation !
Inspecter avant d'installer votre hotte de cuisinière !
Les défauts cosmétiques doivent nous être signalés avant l'installation.
Une fois cette hotte est installée, ICP n'acceptera aucune responsabilité
pour toute les imperfections cosmétiques, rayures ou bosses dans la
canopée. Enregistrer tous les emballages d'origine si vous voulez
retourner pour n'importe quelle raison !

TOUT D'ABORD :

Vérifiez vos locales de construction et les codes de l'électricité.

MISE EN GARDE :

Pour réduire le risque d'incendie ou d'électrocution, ne pas utiliser n'importe quelle unité de moteur à deux vitesses avec un dispositif de contrôle de Solid State.

MISE EN GARDE :

Pour réduire les risques d'incendie ou de blessures et pour bien évacuer l'air, n'oubliez pas d'évacuer l'air vers l'extérieur. NE pas évacuer l'air dans des espaces dans le mur, greniers, ceilings, vides sanitaires ou garages. Pour une utilisation de ventilation générale seulement. N'utilisez pas pour épuiser dangereux ou des matières explosives et les vapeurs. Lorsque la décharge à l'extérieur faire conduit tourner aussi court et aussi droit que possible. Éviter d'utiliser des coudes si possible car cela réduira votre performance. Chaque coude diminuera la performance et nous ne garantira pas l'efficacité de la hotte.

Aucune garantie de Performance lors de l'utilisation au-dessus des grilles de Style BBQ.

Ne pas utiliser le conduit inférieur à la sortie du conduit d'ouverture sur le capot, ce sera réduire performances et annuler la garantie. Ne pas utiliser flex conduits. Aussi, utiliser soit un capuchon de toit ou de mur à la fin de course. N'oubliez pas que tous les joints sont scellés solidement en place. Il est essentiel d'avoir la bonne distance entre le bas de la hotte et la table de cuisson ci-dessous. Dans la plupart des cas, les spécifications de fabricant appareil cuisson établira la distance minimale sécuritaire de feu requise, bien qu'il existe d'autres facteurs à considérer :

- Codes du bâtiment locaux
- Traverser les mouvements d'air directionnel c'est à dire : ouvrir les fenêtres, prises d'air conditionné/chauffage, refroidissement, ventilateurs, etc..
- Taille globale de l'appareil de cuisson et les surfaces environnantes de comptoir.
- Hotte d'aspiration modèle sélectionné.

Pour la meilleure distance de performance entre surface et le fond de la hotte de cuisine est 30" et 36" . Consulter les codes locaux et spécifications de l'appareil. Garder à l'esprit, augmenter la distance sera diminuer les performances. PS1 est équipé d'un thermostat. Unité s'allume automatiquement au réglage plus élevé lorsque 130 degrés est atteinte. (Non disponible dans les modèles SD4 ou SD2)



(4) 10-32 2" Sstd. Round Screw



(4)1-1/4 Fender Washer



(4) 10-32 Wingnuts



(4) 10 F/W Stand Washer



(2) Large Aluminum Mesh Filters
(2) Smaller Aluminum Mesh Filters



WARNING: This product can expose you to certain chemicals, which are known to the State of California to cause cancer or birth defects or other reproductive harm. For more information to go: www.P65WARNINGS.ca.gov.

Détail d'Installation Liners alimenté :

MODELS:
G3000SD2
3000SD2

MODELS:
G3000SD4
3000SD4

MODELS:
G3000PS1
3000PS1

Armoire : N'oubliez pas de dessous d'armoire est de niveau, côté à côté et en avant vers l'arrière.

- Pour le « SD » unités préparent l'armoire en coupant une 8 « x 8 » trou dans le fond, 3/4 po du mur et sur Ligne centrale.
- Pour le « PS1 » unités préparent l'armoire en coupant une 10 3/8 "(D) x 20 1/4" (L) trou dans le fond, 1/2 "de la ligne de centre et de la paroi.
- Étagères et haut à couper pour effacer 7 "autour des tuyaux. En outre, couper les trous pour les fils électriques.

Remarque : Boulons, rondelles et écrous fournis.

Enlever le tiroir avant de fixer la hotte sous l'armoire.

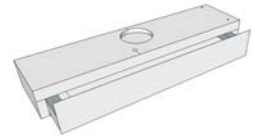
- **Retirez le ruban noir qui maintiennent les amortisseurs en position fermée.**
- Voir la page suivante sur le retrait. Capot deposition contre le fond du placard mural et mur. Marquer le dessous du boîtier à travers chaque trou pour l'emplacement de chaque trou de boulon.
- Perforer des trous de 3/16 "par le biais de dessous d'armoire. Insert boulons avec petite rondelle sous la tête du boulon par le biais de dessous d'armoire d'à l'intérieur de l'armoire.
- Encore une fois, poste hotte sous armoire avec boulons par clé-trous. Commençant par clé-trous avant, Placer la grosse rondelle Boulon, fixez l'écrou à oreilles à boulon, fixez les deux écrous avant. Poussez la hotte dos contre le mur, fixez la grosse rondelle et le écrous sur les boulons de l'arrière.
- Ré-installer le sortir du tiroir.
- Raccorder le conduit et tous les joints de bande.
- Remplacer les filtres

ÉLECTRIQUE :

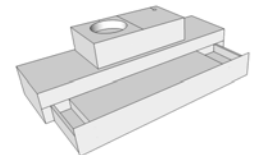
- Talon assez de fil dans l'armoire pour rejoindre en face du tuyau d'évacuation.
- Entrez le coffret 3 1/4 "à gauche du center for (unité SD) ou 2 1/4" pour la (unité de la PS1).
- Enlever couvercle du boîtier de raccordement avant le montage de la hotte.
- Après le montage hotte attacher fils de la maison aux fils dans le capot.
- Contre-écrou pour conduit de garantir et vérifier le câblage pour le respect de tous les codes locaux.
- Remplacer le couvercle du boîtier de jonction.

Conduit les tailles indiquées en modèle # (Ex : 3030PS1-8)

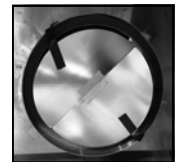
**** - 8 = 8 "Conduit**



SD2 or SD4



PS1



Black Tape on Damper

Détail d'Installation Liners alimenté :

MODELS:
G3000SD2
3000SD2

MODELS:
G3000SD4
3000SD4

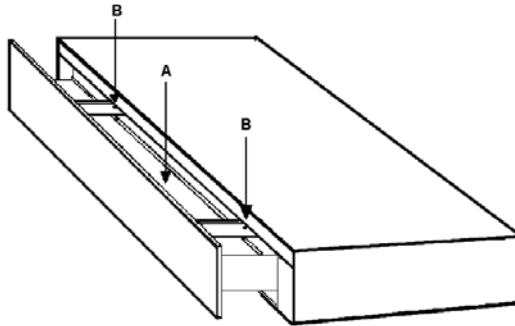
MODELS:
G3000PS1
3000PS1

POUR RETIRER LE TIROIR DE 3000

Sortir tiroir jusqu'à ce qu'il s'arrête ; Appuyez sur haut tiroir au point indiqué par la flèche « A », tout en tirant le tiroir vers l'extérieur.

QUAND LE TIROIR S'ARRÊTE À NOUVEAU...

B) appuyer sur deux boutons noirs, indiquées par les flèches marquées "B" tout en tirant le tiroir vers l'extérieur. **Tiroir sortira libre de la hotte, tenir SECURLY !**



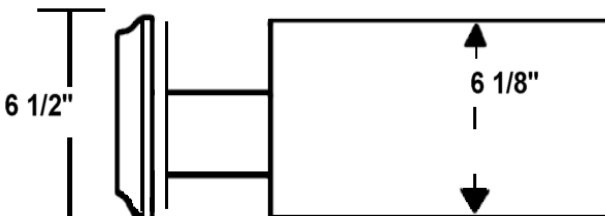
PANNEAU EN BOIS :

Pour déterminer la taille de votre panneau de bois en avant, vous devez tenir compte de deux choses :

- Taille réelle de la hotte elle-même
- Conception des éléments adjacents

Vous souhaitez masquer la hotte et pour ce faire, vous en avez besoin à s'aligner avec les meubles environnants. Nous vous proposons étendre la hauteur et la largeur du panneau bois un peu au-delà de la taille réelle de la hotte. Donc si vous avez une hotte de 36 "votre panneau de bois pourrait être 36,5" Wide par 6,5 » élevé. Le choix final sur la taille doit être déterminé par votre ébéniste et vous-même.

FAÇADE BOIS



Impériale Cal Products, Inc.

Pour commander des pièces ou annexe service, veuillez appeler notre bureau au (800) 851-4192 ou utiliser notre site Web... www.imperialhoods.com.

PIÈCES :

Lorsque vous commandez des pièces nous avons besoin des informations suivantes : Numéro de modèle (pas les numéro de série) sur l'étiquette d'UL à l'intérieur de la hotte. Dimensions exactes (dans le cas des filtres)

Vous pouvez trouver le numéro de modèle à l'intérieur de votre hotte sur notre label UL. Il y a plusieurs numéros de modèle dans la liste, votre numéro de modèle doivent avoir un point de couleur ou de marque à côté de lui pour indiquer exactement le modèle vous avez.

Dans le cas de filtres, nous devons les **dimensions exactes du filtre nécessaire**. Indiquer de quel côté a les tirettes sur elle. Les filtres ne sont pas une pièce de rechange de garantie. Avec soin vos filtres doivent depuis plusieurs ans.

Paiement sur pièces est assurée de trois façons : prépayé (vous envoyez un chèque avant l'expédition), appelez avec informations de carte de crédit, VISA ou MasterCard, morue ou argent comptant si vous décidez de "Appellera". **Our appellera heures sont de 08:30 à 03:30, du lundi au vendredi.**

SERVICE :

Lors de l'appel service nous avons besoin des informations suivantes :

- **Numéro de modèle (pas les numéro de série)**
- **Preuve d'achat**
- **Nom de l'entreprise qu'a été achetée le capot à travers.**
- **Nombre nom et téléphone de la personne à contacter pour configurer l'appel de service.**
- **Adresse complète de l'emplacement où le service doit être fait.**

La garantie est de sept ans, pièces et main-d'œuvre.

Entretien & garantie Information

Ce produit est le plus simple des exigences en matière de nettoyage. Pour supprimer les filtres des baffles, enlever le panneau Centre en tirant le panneau vers l'avant de la hotte, soulever pour la supprimer. Déplacer les filtres au centre du capot, déflecteur de tirer vers l'avant de la hotte et sortez. Pour retirer le bac à graisse, faites glisser le plateau vers le haut de la hotte et sortez. Filtres propres souvent pour des performances optimales. Combien de fois dépend de quantité et le type de cuisson. Utilisez l'eau chaude et un produit dégraissant pour nettoyer. **Peut être utilisée dans le lave-vaisselle, selon les détergents, les filtres peuvent décolorer.** Lors du nettoyage d'une hotte peinte, lavez-le avec de l'eau savonneuse tiède ! Essuyer la hotte soigneusement à l'eau claire et sécher avec un chiffon doux. Quand acier inoxydable utiliser un nettoyant pour acier inoxydable. Toujours frotter avec le grain à l'aide de produits de nettoyage non abrasif. Évitez les détergents, de désinfectants ou de produits nettoyants en aérosol. N'utilisez jamais de poudre à récurer abrasive sur votre capot ! Certains produits chimiques de nettoyage peuvent endommager le fini de la hotte !

Clean Fan, Filter and Grease Laden Surfaces FREQUENTLY

- **Recessed (Behind grease filters): 75 Watt (Max.) Incandescent OR 8.5 Watt LED Dimmable.** (Equivalent to the 75 Watt Incandescent) *** Les ampoules non comprises sur toute model.* **

Mise en garde : Ne pas utiliser des ampoules qui ne sont pas mandatés par fabricant. Ne pas utiliser des lampes halogènes dans des douilles ne pas destinés à leur usage ! Ils doivent être utilisés que dans le phare avant et les panneaux lumineux central.

Votre garantie impériale : Preuve de la date d'achat est requise pour obtenir la service sous garantie.

Unités de luxe : Garantie limitée de 7 ans, pièces et main-d'œuvre aux USA continentaux. Pièces uniquement en dehors des États-Unis.

Pendant sept ans à compter de la date d'achat initiale, nous fournirons des pièces et la main-d'œuvre service à votre domicile pour réparer ou remplacer toute partie de la hotte qui échoue en raison d'un défaut de fabrication. Appel de service au (800) 851-4192

REMARQUE :

Sociétés de services effectuera le Service sous garantie, lundi au vendredi, de 7 a.m.—4: h La société service appellera et programmer une date et heure avec une fenêtre de 4 heures. Si la société de service arrive à votre emplacement, au cours de la date prévue et l'heure, et personne n'est à la maison, vous serez facturé frais de transport par la société de service pour une visite de retour de service.

ÉLÉMENTS IMPÉRIAL NE PAIERA PAS POUR

1. Les visites de service pour corriger l'installation de votre appareil, pour expliquer comment utiliser votre appareil, remplacer ou réparer les fusibles, le câblage du logement correct ou la plomberie.
2. Les visites de service pour réparer ou remplacer l'appareil des ampoules ou des filtres.
3. Réparations lorsque l'appareil est utilisé pour les autres que l'usage unifamilial normal.
4. Dommages causés par accident, altération, mauvaise utilisation, abus, incendie, inondation, cas de force majeure, une mauvaise installation, installation non conforme électrique ou codes de plomberie.
5. Pièces de rechange ou des frais de réparation pour les unités utilisées en dehors des États-Unis.
6. Cueillette et livraison. Cet appareil est conçu pour être réparé dans la maison.
7. Réparations aux pièces ou systèmes résultant d'une modification non autorisée sur l'appareil.
8. Frais de transport pour le service de produit dans des endroits éloignés.
9. La dépose et la réinstallation de votre appareil si celui-ci est installé dans un endroit inaccessible ou n'est pas installé conformément aux instructions d'installation publiées.
10. Pièces de rechange ou des frais de réparation lorsque l'appareil est utilisé dans un pays autre que le pays dans lequel il a été acheté.

CONSIGNES DE SÉCURITÉ
Lire et conserver ces Instructions

AVERTISSEMENT : Pour réduire le risque d'incendie, de chocs électriques ou de blessures, respectez les points suivants :

- ◆ Utilisez cet appareil que de la façon prévue par le fabricant. Si vous avez des questions, contactez le fabricant. Avant de réparer ou de nettoyer l'appareil, coupez l'alimentation électrique hors tension au panneau électrique et verrouillez Service moyens de déconnexion pour éviter sa marche accidentellement. Si les moyens de déconnexion du Service ne peut être verrouillés, fixez un avertisseur éminents, comme une étiquette, sur le panneau de service.

AVERTISSEMENT : Pour réduire le risque d'une gamme prendrait feu :

- ◆ Jamais laisser des éléments de surface sans surveillance à vif. Débordements provoquent des fumeurs et graisseux des débordements qui peuvent s'enflammer. Faire chauffer les huiles lentement sur les réglages de faibles ou moyennes.
- ◆ Toujours allumer la hotte lorsque vous cuisinez à feu vif ou quand flamber des aliments (p. ex.: crêpes Suzette,
- ◆ Cerises jubilé, steak au poivre Flambé).
- ◆ Propres ventilateurs fréquemment. Graisse ne puissent pas s'accumuler sur les ventilateurs ou les filtres.
- ◆ Utilisez pan de bonne taille. Toujours utiliser des ustensiles de cuisson adaptée à la taille de l'élément de surface.

AVERTISSEMENT : Pour réduire le risque de blessures corporelles dans le cas d'une cuisinière incendie de graisse, respectez les points suivants :

- ◆ Éteuffez les flammes avec un couvercle hermétique, une tôle à biscuits ou un plateau métallique, puis éteignez le brûleur. VEILLEZ À ÉVITER LES BRÛLURES. Si les flammes ne vont pas sortir immédiatement, évacuer et appeler les pompiers.
- ◆ Ne prenez jamais un poêlon - vous pourriez vous brûler gravement.
- ◆ N'utilisez pas d'eau, mouillés ou serviettes, explosion de vapeur.
- ◆ Utilisez un extincteur seulement si :
- ◆ Vous savez que vous avez un extincteur de classe ABC et vous savez déjà comment l'utiliser.
- ◆ L'incendie est petit et limité à l'endroit où il a débuté.
- ◆ Le service des incendies est appelé.
- ◆ Vous pouvez combattre le feu avec le dos à une sortie.

AVERTISSEMENT : Pour réduire le risque d'incendie, de chocs électriques ou de blessures, respectez les points suivants :

- ◆ Travaux d'installation et le câblage électrique doivent être faits par une personne qualifiée ou personnes conformément aux codes et normes, y compris la construction résistant au feu.
- ◆ Quantité d'air suffisante est nécessaire pour assurer la combustion et l'évacuation des gaz par le conduit de l'appareil pour éviter tout refoulement. Suivre et sécurité les normes les directives du fabricant de l'équipement de chauffage telles que celles publiées par la National Fire Protection Association (NFPA) et l'American society for Heating, Refrigeration & Air conditioning Engineers (ASHRAE), and des autorités locales.
- ◆ Quand coupant ou perçant un mur ou un plafond n'endommagent pas câblage électrique et autres caches utilitaires.
- ◆ Ventilateurs de recirculation doivent toujours se faire vers l'extérieur.

AVERTISSEMENT : Pour réduire les risques d'incendie, utiliser uniquement des gaines de métal lisse !

PROPRIÉTÉ DU PROPRIÉTAIRE DE LA MAISON, S'IL VOUS PLAÎT FAIRE PAS JETER !

WARRANTY CARD

To better serve you with your service and warranty needs, please fill out the purchase and product information and return to Imperial Cal Products.

CUSTOMER NAME: _____

PURCHASED FROM: _____

PURCHASE DATE: _____

MODEL #: _____

SERIAL # _____

(Serial # beneath filters on white label)

Warranty card can be submitted via our website at:
www.imperialhoods.com or by mail.

MUST keep receipt. Proof of original purchase date is needed to obtain service under warranty.

Mail warranty card to:

**Imperial Cal Products
ATTN: Warranty Department
425 Apollo St.
Brea, CA 92821**

Or visit our website to complete warranty registration:

www.imperialhoods.com