

Aquno Select
HighArc Kitchen Faucet, 3-Spray Pull-Down, 1.75 GPM
 Finishes : **chrome** Part no. : **73837001**



Description

Features

- Swivel range adjustable in 3 steps: 60°, 110° or 150°
- Laminar spray, needle spray, SatinFlow
- Change between SatinFlow and pull-out sprayer at the touch of a button
- Toggle spray diverter
- MagFit magnetic sprayhead docking
- Single-hole installation, recommendation: the middle of tap hole drilling should be max. 45 mm from the back side of of the bowl
- Flow: 1.75 GPM (6.6 L/Min)
- Ceramic cartridge
- 3/8" connections
- Integrated double backflow prevention
- 1 3/8" Mounting hole required, recommendation: the middle of tap hole drilling should be max. 45 mm from the back side of of the bowl

Item details

List Price \$ 850.00

Technology



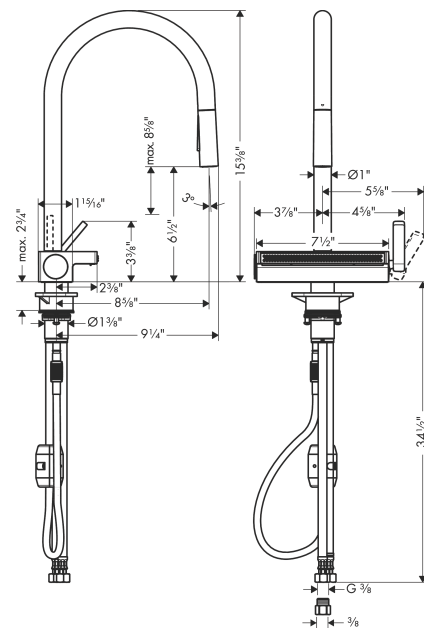
Compliance



Product image



Scale drawing

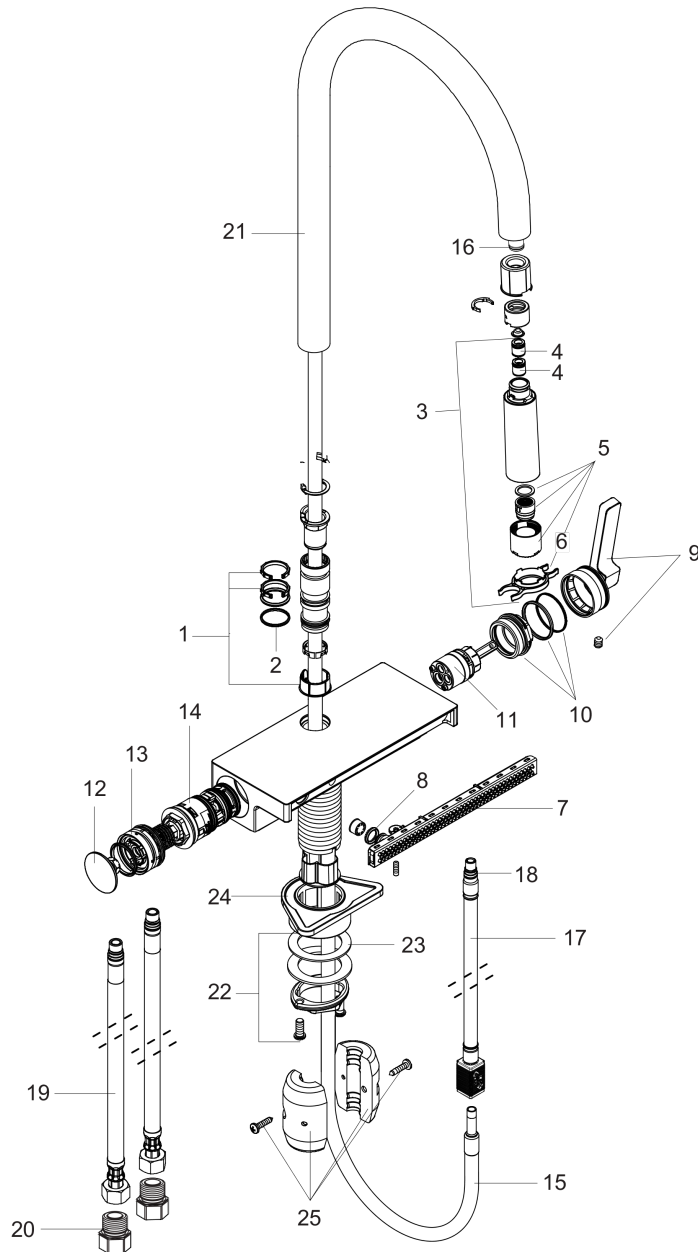


Aquno Select
HighArc Kitchen Faucet, 3-Spray Pull-Down, 1.75 GPM
 Finishes : **chrome** Part no. : **73837001**



Exploded drawing

Year of production: >04/20



Aquino Select
HighArc Kitchen Faucet, 3-Spray Pull-Down, 1.75 GPM
 Finishes : **chrome** Part no. : **73837001**



Spare parts list

Year of production: >04/20

Pos.	Description	Part no.	Price	PU
1	set of lever collars	98365000	-	1
2	O-ring 19x2	98426000	-	1
3	handspray	93778001	-	1
4	non return valve DW 10	96456000	-	1
5	spray former	93342001	-	1
6	service tool	95910000	-	1
7	spray head cpl.	93781000	-	1
8	O-ring 10x2	98170000	-	1
9	handle	93776000	-	1
10	nut	92926000	-	1
11	cartridge, assy	93183000	-	1
12	cover	93777000	-	1
13	spring with sleeve	93782000	-	1
14	selector assy	93558000	-	1
15	hose	93745000	-	1
16	O-ring 8x2	98112000	-	1
17	null	92914000	-	1
18	O-ring 8x1,75	97827000	-	1
19	connection hose 900 mm M10x1 G3/8	93780000	-	1
20	adapter for connection hose	88802000	-	1
21	spout cpl.	93779000	-	1
22	fixing set (Ø 34)	95049000	-	1
23	lever collar	97548000	-	1
24	support	97523000	-	1
25	weight	92500000	-	1