

*Complement  
your purchase  
with these  
fine accessories  
also from  
GINGER®:*

*Towel Bars  
Towel Rings  
Toilet Tissue Holders  
Hooks  
Soap Dishes  
Tumbler Holders  
Toiletry Shelves  
Grab Bars  
Mirrors  
Lights  
Bud Vases  
Hotel Shelves  
Shower Curtain Rods  
Soap & Bottle Baskets  
Cabinet Hardware*

GINGER®

460-N Greenway Industrial Drive  
Fort Mill SC 29708

[gingerco.com](http://gingerco.com)

# LIGHT

WITH NIGHT LIGHT FEATURE

## INSTALLATION INSTRUCTIONS

*for*  
CHELSEA,  
CANTERBURY &  
CASSANDRA  
LIGHT

GINGER®

# GINGER®

## LIGHT

Models

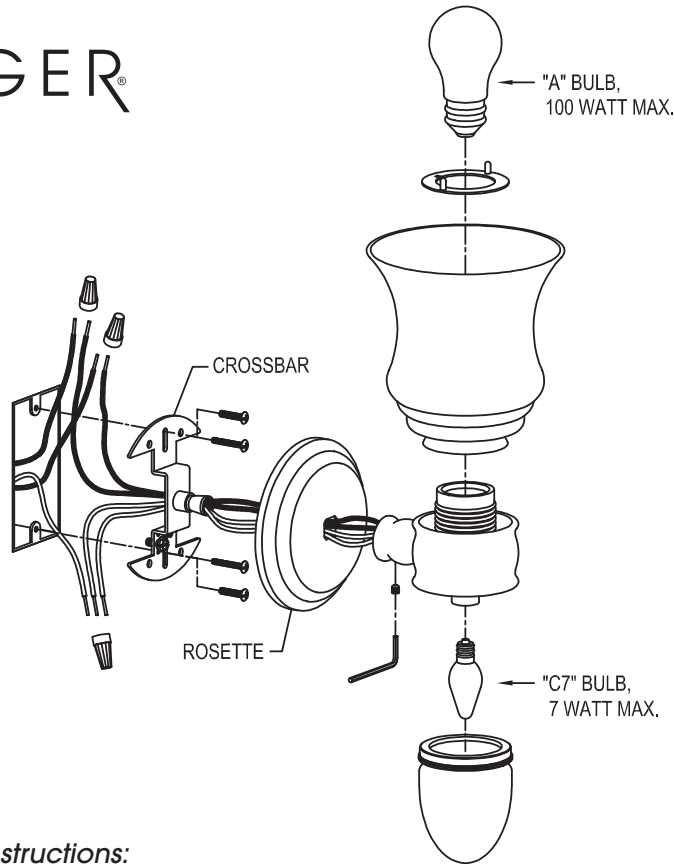
#1181

#1481

#1581

Wall Mount

Only



### Installation Instructions:

These lights should be installed by a licensed electrical contractor.

**POWER REQUIREMENTS:** 120 Volts, 60 Cycles

**WIRING REQUIREMENTS:** This device can be operated with either single or double switches. The double switch would be used to enable operation of the top light and bottom light separately.

**Single Switch:** 2 conductor wire with ground.

**Double Switch:** 3 conductor wire with ground.

**SAFETY: TO PREVENT ELECTRICAL SHOCK, BE SURE THAT POWER IS OFF BEFORE STARTING INSTALLATION.**

### **INSTALLATION:**

1. Provide the required wiring to the wall-mounted electrical box. The electrical box should be flush in the wall.
2. Mount crossbar to the electrical box. The crossbar should be flat against the wall with the spindle facing away from the wall.
3. Connect house ground wire to the crossbar with the attached ground screw.
4. Feed the light fixture wires through the rosette then through the center hole of the crossbar.
5. Connect the white wire and ribbed brown wire of the fixture to the house neutral wire with a wirenut.
6. **A: FOR SINGLE SWITCH:**  
Connect the red wire and the smooth brown wire of the fixture to the house hot wire with a wirenut.  
**B: FOR DOUBLE SWITCH:**  
Connect the red wire of the fixture to the house hot wire for the main light, then connect the smooth brown wire of the fixture to the house hot wire for the night light.
7. Slide the fixture over the spindle of the crossbar until it is flush against the wall. Secure the fixture by tightening the set screw on the bottom side of the post with the provided wrench. Make sure the wires are not pinched during this process.
8. Position glass shade over porcelain socket and secure with steel ring. Install bulb.
9. Install night light bulb.
10. Position nightlight shade over night light bulb. Screw into lamp body. Do not over tighten.