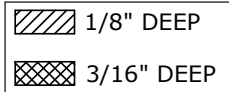
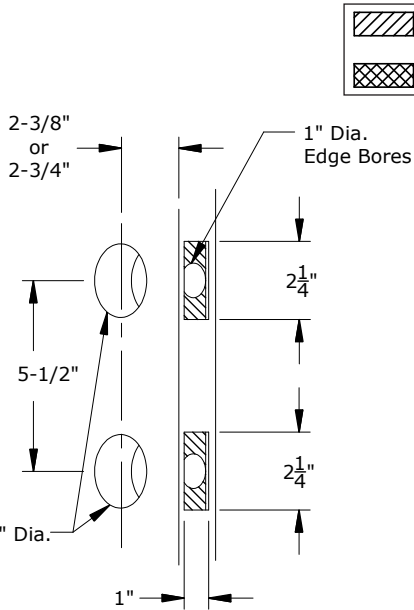
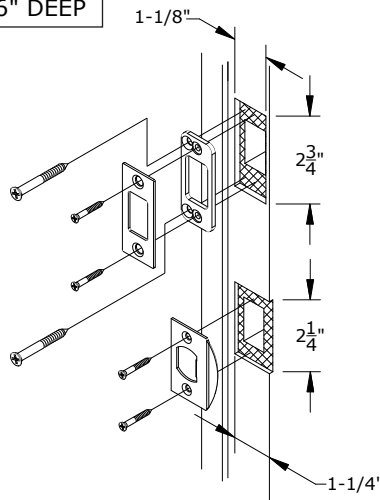


Installation Guide - Two-point lock, Single Cylinder

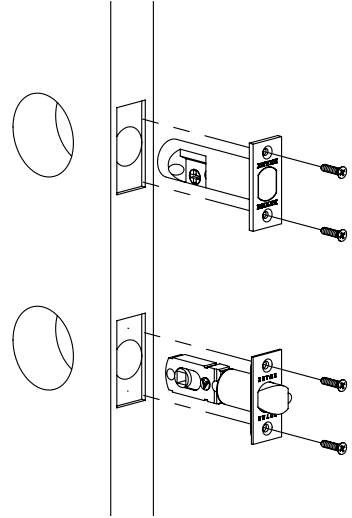
1. Door Prep



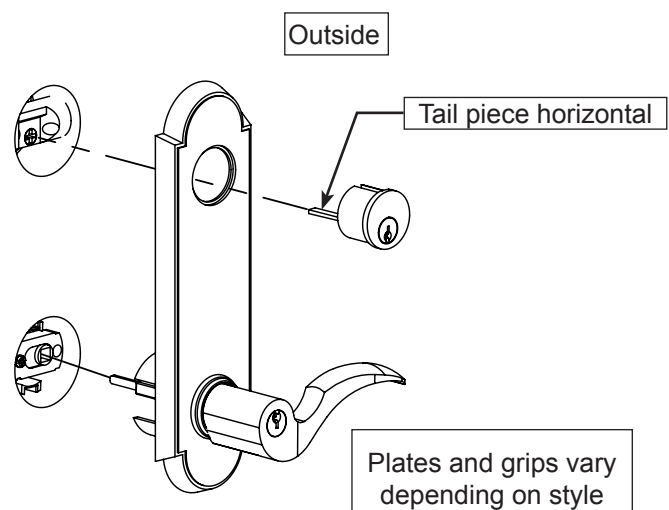
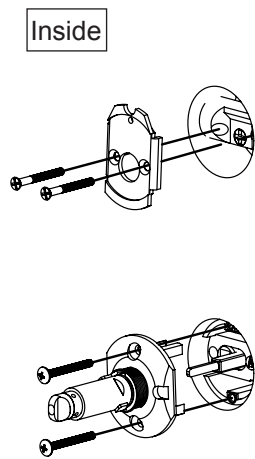
2. Door Jamb Prep



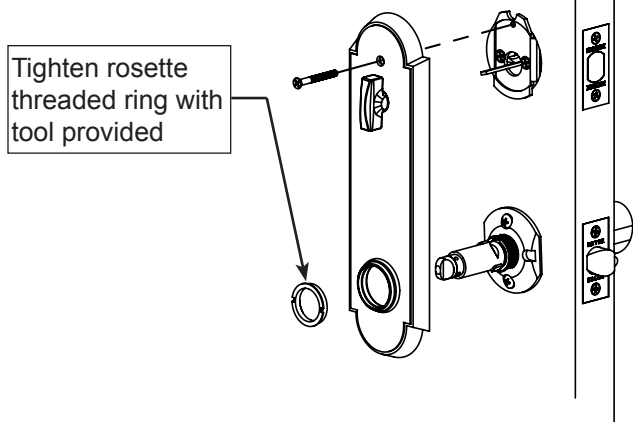
3. Install Bolt and Latch



4. Mount Outside Trim Plate



5. Mount Inside Trim Plate



6. Secure Inside grip

