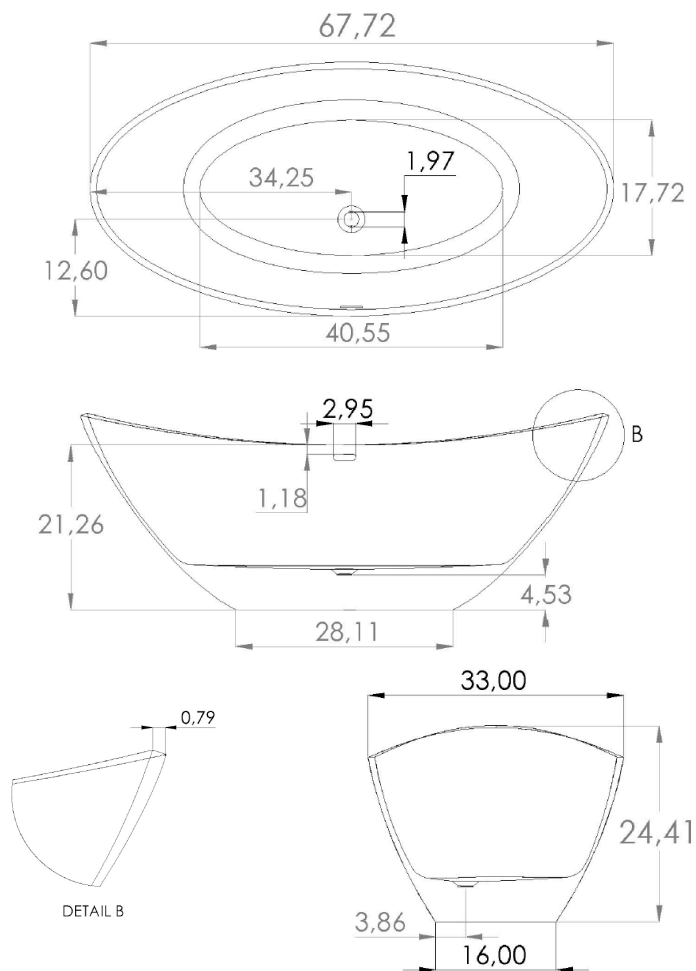




SPECIFICATIONS

Matte Finish item# 10SW102

Gloss Finish item# 10SG102



TOP VIEW



FRONT VIEW



SIDE VIEW

Recommended Tub Drain for Internal Overflow

Chrome finish [11CC500]

Matte White finish [11CW500]



Suggested Basin

RIVA

Small 15TW102

Large 15TW109



Dimensions : LWH 68" x 33" x 24"
Waste to floor : 5"
Water Capacity : 76 gallons
Edge / Rim width : 1"
Waste diameter : 2"
Weight : 198 lbs

Overflow : Internal Overflow included
Max Water : 17" to overflow
Material : 100% DADOquartz
Color : White
Finish : Gloss or Matte
Warranty : Lifetime