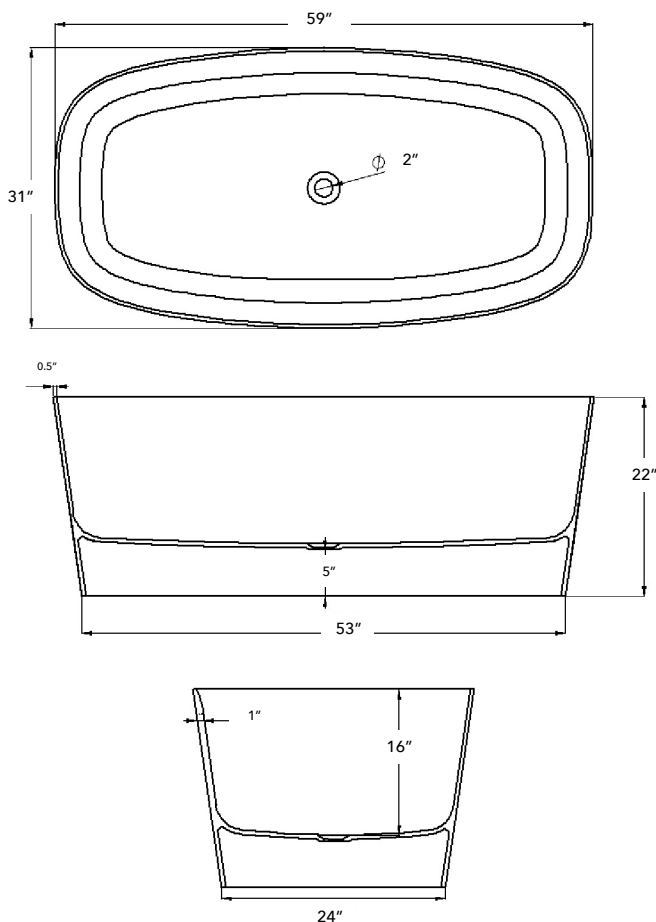


SPECIFICATIONS

Matte Finish item# 10SW106

Gloss Finish item# 10SG106



TOP VIEW



FRONT VIEW



SIDE VIEW

Recommended Tub Drain for Internal Overflow

Chrome finish [11CC500]

Matte White finish [11CW500]



Suggested Basin

CASCATA

15TW103



Dimensions : LWH 59" x 31" x 22"
Waste to floor : 5"
Water Capacity : 75 gallons
Edge / Rim width : 1"
Waste diameter : 2"
Weight : 176 lbs

Overflow : Internal Overflow included
Max Water : 15" to overflow
Material : 100% DADOquartz
Color : White
Finish : Gloss or Matte
Warranty : Lifetime