

OPALIA 6839 CENTERED ELLIPSE

68" x 39" x 25" (FREESTANDING)

Presenting Opalia™, a new collection of exquisitely crafted therapeutic baths with the bold, pure lines of a fascinating opal. Like so many magnificent jewels, Opalia oval baths play on elliptical perfection, with original deck designs that intrigue and delight.



PRODUCT NO.

MODEL	TMU	TUB
Freestanding	BOPPOF00T-XX	BOPPOF00N-XX

THERMOMASSEUR (TMU)	
Hydro-thermo massage • Air jet system	\$
Jets	35
1 heated backrest	Included
MiaPlus® Control (not installed)	Included
Geysair®	Included
AromaCloud® BAROMAC	\$
Illuzio Chromatherapy BCHRO6	\$
2 nd heated backrest (WTS-1 zone) BSHB	\$

TUB	
Soaker	\$
AromaCloud® BAROMAC	\$
Illuzio Chromatherapy BCHRO6	\$
WarmTouchShell® BWTS	\$
DOT control	Included with therapy
2 nd WarmTouchShell® BWTS2	\$

FEATURES	
Installation type	Freestanding
No. of bathers	2
US gallons	51
Imp. gallons	42
INTEGRATED WASTE & OVERFLOW BOVERINI-XX	
White 01 , Chrome 07 , Brushed Nickel 09 , Polished Nickel 10	Installed & Included
STANDARD COLOR	
White 01	Included

OPTIONS (UPCHARGE APPLICABLE)

COLOR	
Black / White 66 NEW	\$
FINISH	
UltraVelour Matte Finish (White only) BVEL	\$
INTEGRATED WASTE & OVERFLOW BOVERINI-XX	
Matte Black 19 , Black Chrome 12 , Satin Brass 18	\$
CONTROL (TMU only)	
MiaMulti® BMIAM2-XX	\$
ISLAND TUB DRAIN™*	
Island Tub Drain™ BISLDD	\$
Cast Iron Island Tub Drain™ BISLDDCI	\$

Don't forget to specify the **finish of the integrated waste & overflow**. Faucets must be freestanding or wall-mounted.
* An Island Tub Drain™ is required when there is **no access under the bath**.

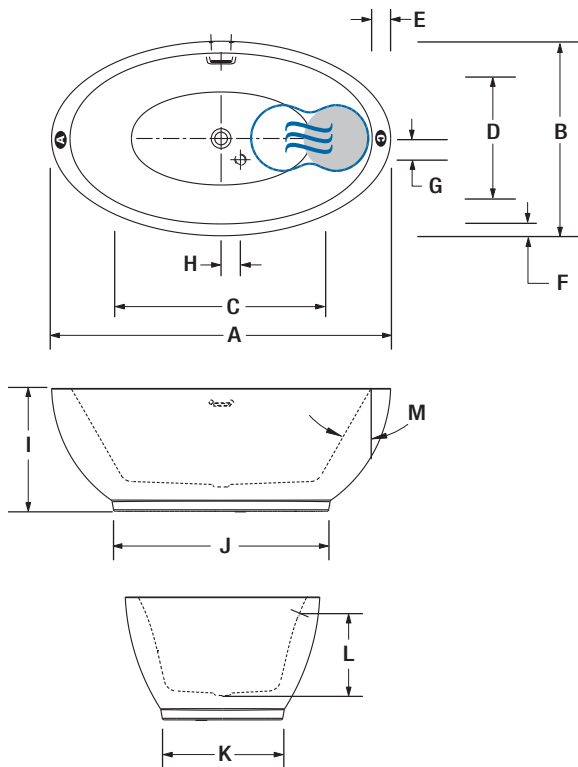
TOTAL PRICE	\$
--------------------	----



OPALIA 6839 CENTERED ELLIPSE (FREESTANDING)



INSTALLATION



LETTER	DESCRIPTION	MEASURE
A	Total length	68"
B	Total width	39"
C	Bathing well length (at height of jets)	41 5/8"
D	Bathing well width (at height of jets)	23 5/8"
E	Deck width (backrest)	3 3/4"
F	Deck width (sides)	2 3/8"
G	Distance from air intake to center of waste (long axis)	4 1/4"
H	Distance from air intake to center of waste (trans. axis)	3 7/8"
I	TUB height	24 3/4"
J	Length of the base	43"
K	Width of the base	24"
L	Height from waste to center of overflow	16"
M	Slope of backrest	31°

- A** AromaCloud® position
- G** Control position when factory-installed (Mia® or DOT)
- Indicates heated backrest (TMU)
- ☁ Indicates WarmTouchShell® position (TUB)

TECHNICAL SPECIFICATIONS

Hot water supply required	Should be 70% of water capacity of TUB or greater.
Turbine	Access to the pump must be at least 18" x 22". Standard connection is 20 A, 120 V, 60 hz , dedicated line with a Ground-Fault Circuit Interrupter (GFCI). For any additional option, a second line is needed 15 A, 120 V, 60 hz , dedicated line with a GFCI.
Others	- Faucet must be freestanding or wall-mounted. - The turbine must be remotely installed .

Our products must be installed by certified professionals only and according to our Owner's Manual as well as federal, provincial/state and local building codes and regulations (www.bainultra.com/documentation/documentation).

Cutting template	# 90000073
Approx. shipping weight	230 lbs
Turbine power	550 W
Air heater	600 W

WARRANTY	
Controls-LED-Geysair*	5 years
Bath & turbine*	20 years

* Some restrictions apply | www.bainultra.com/warranty



The specifications shown indicate the outer edge dimension and the inside bathing capacity dimension measured at air jets' height. The manufacturer accepts a 1/4" [0.64 cm] variance. There are variations on each product and specifications are subject to change as we improve upon our product as required. The dimensions needed for site preparation and structure building will differ. BainUltra® assumes no responsibility for preparatory work done prior to the product being on site.